



Product Range
Export
01.02.2008

PVC-U
piping systems for
industrial application

Pipe, Fittings,
Valves and Accessories

More than 50 Years of Application Know How



Our long experience in plastic piping systems applications is also for your security. Approvals and third party controls are guarantee for continuously high

quality. Many of our products have the necessary approvals of the relevant institutes and thanks to the batch identification they are traceable.

Fields of applications

Our specialists are proving their wide material knowledge and their application experience day by day in various industries:

- Water treatment
- Waste water treatment
- Galvanics
- Chemical industry
- Automotive industry
- Electronic industry
- Energy
- Swimming pools
- Cellulose and paper industry
- Photo industry

- Textile industry
- Shipbuilding
- Beverage industry
- Exhaust gas cleaning
- Chlorine industry
- Cooling and air conditioning
- Refrigeration plants
- Food
- Mining

Do you miss your application in the above list? No problem. Please call us, and we will find a solution according to your specifications.

Approvals

kiwa

IIP

NF



Lebensmittelzulassung

Drinking water approvals

WRAS
APPROVED PRODUCT

MAIRIE DE PARIS

kiwa

Shipbuilding approvals



**BUREAU
VERITAS**



Germanischer Lloyd



DET NORSKE VERITAS

**Lloyd's
Register**

Quality Products with Advantages



Advantage of Wide Product Ranges

- Fittings
- Hand Operated Valves
- Pipes
- Joining Systems
- Actuated Valves
- Measure and Control Technology
- Machines and Tools

available in four standards: ISO/DIN, ASTM/ANSI, BS and JIS



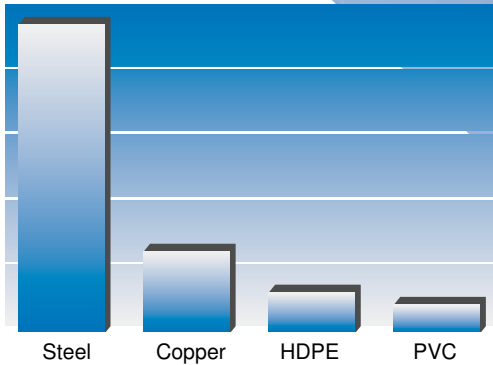
Quality management system certified according to ISO 9001/EN 29001 and ISO



Advantage of Quality

Compound
Our own compound and strict quality controls for each raw material delivery form the basis for GF Piping Systems high quality products.

Production Know-How
Due to know-how gathered over 40 years we are able to produce our products to exceptionally high tolerances.



Energy required for 100 m pressurised pipe

Advantage for the Environment

In addition to the economical advantage of PVC-U, PVC-C and ABS there are also ecological advantages:
 Preserving diminishing natural resources
 Less energy required
 Possibility of recycling
 Very long life span



Advantage of Production Quality Control Tests

- Pressure Pulsation Testing 1000 h Test
- Chemical Resistance Functions
- Temperature Cycling Test
- Cyclic Bending Test

Independently accredited test laboratory for components of plastic piping systems according to SN EN ISO 45001

for Professional Users

Advantage in Planning

One-stop-shopping for complete systems
Many customers prefer to purchase the complete piping system from one supplier. Because only systems that are designed to complement each other guarantee easy planning, installing and efficient functioning of the piping system.

CAD Product Library
For drawing and providing a list of orders GF Piping Systems CAD Product Library is an optimal solution. Can be used with AutoCAD and other CAD systems.



Advantage of Choosing the Right Material

For maximum safety and optimal durability of a piping system the choice of raw material and pressure class of the pipe parts is highly important. The raw material's suitability to the medium can be checked with the help of our chemical resistance list.



Advantage of Installation Technique

Cement jointing is simple, fast, economical and very reliable.
Over 100 million homogenous joints have been made over the total life time of piping systems, achieving the highest quality requirements.



Advantage of Support

Training
GF Piping Systems offers training possibilities at our regional sales companies, in our own training center in Schaffhausen or at your premises. For cement jointing we can also provide you with a training video.

Worldwide Distribution
Sales companies, representatives and dealers from GF Piping Systems can supply you with complete technical advice, punctual distribution and fast service in almost every corner of the world.



GF Piping Systems quality is no coincidence!

More than 40 years of research, development and experience have shaped our high standard of quality. You will find the solution to your problem in our extensive product range:

Solvent Cemented Systems

PVC-U

Unplasticised
Polyvinyl Chloride

Range of sizes:
6–400 mm, BS 3/8" – 8"

Resistant to:
Acids and alkalis

Recommended applications:
Drinking water, distilled water, general purpose water, waste water, coolant brines, sea water, construction of plant and apparatus, foodstuffs, beverages. Universally applicable plastic with the widest range of fittings and valves

Not recommended for:
Aromatic solvents, ester, ketones, chlorinated hydrocarbons
low temperature uses ($< 0\text{ }^{\circ}\text{C}$)
high temperature uses ($> 60\text{ }^{\circ}\text{C}$)

PVC-C

post-chlorinated PVC-U

Range of sizes:
16–225 mm

Resistant to:
Acids and alkalis at high temps (max. $90\text{ }^{\circ}\text{C}$) and high concentrations

Recommended applications:
Hot and aggressive mediums, high temperature, high corrosive environments, chemical industry generally (e.g. mixed acid waste) and hot water industrial applications

Not recommended for:
Aromatic solvents, ester, ketones, chlorinated hydrocarbons
low temperature uses ($< 0\text{ }^{\circ}\text{C}$)

ABS

Acrylonitrile Butadiene
Styrene

Range of sizes:
16–315 mm
BS 3/8" – 8"

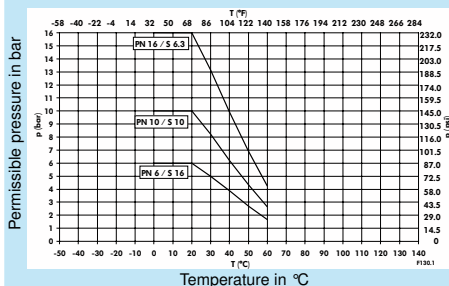
Resistant to:
Alkalis, weak acids, and salts

Recommended applications:
Low temperature brine, chilled water, refrigerants, air conditioning, drinking water, water treatment, process water, mining industry, and foodstuffs

Not recommended for:
High temperature uses ($> 60\text{ }^{\circ}\text{C}$)
bleaches, aromatic solvents, ester, ketones and alcohols

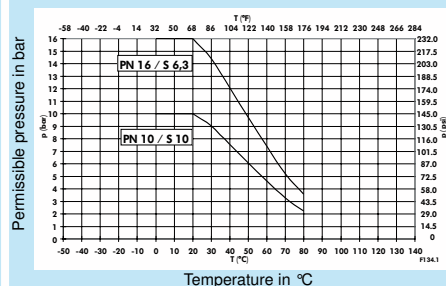
Application Limits for Pipes and Fittings in PVC-U

25-year values with Design Factor C included at $20\text{ }^{\circ}\text{C}$ water



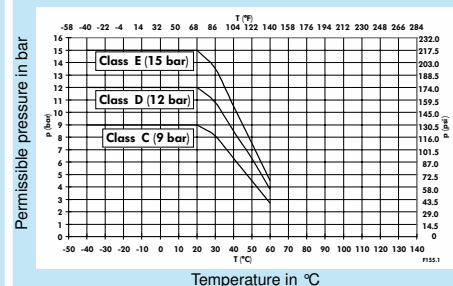
Application Limits for Pipes and Fittings in PVC-C

25-year values with Design Factor C included at $20\text{ }^{\circ}\text{C}$ water











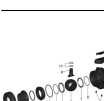




Application Limits for Pipes and Fittings in ABS

25-year values with Design Factor C included at $20\text{ }^{\circ}\text{C}$ water



Plastic Piping Systems PVC-U

		Page
	Pipes	12
	Fittings	17
	Adaptor Fittings	27
	Threaded Fittings	33
	Unions	36
	Flange Adaptors and Flanges	57
	Branch and Tapping Saddles	65
	Sensor-Installation Fittings	66
	Ball valves 2-way	70
	Spare parts for ball valve type 546 PVC-U (DN10/15-50)	90
	Spare parts for ball valve type 546 PVC-U (DN65-100)	94
	Spare parts for ball valve type 546 PVC-U	101
	Ball valves 3-way	116
	Metering ball valve	130

	Laboratory ball cock	132
	Diaphragm valves	135
	Butterfly valves	148
	Angle seat valves	156
	Spare parts for angle seat check valve type 303 (DN10-50) PVC-U	160
	Spare parts for angle seat check valve type 303 (DN65-80) PVC-U	161
	Ball check valves	162
	Wafer check valves	170
	Spare parts for wafer check valve type 369 PVC-U	175
	Strainers	176
	Spare parts for line strainer type 305 (DN15-50) PVC-U	179
	Spare parts for line strainer type 305 (DN65-80) PVC-U	180
	Screen assemblies and Inspection glass	181
	Pipe Clips metric	183



Seals

187



Solvent Cements and Tools

190



Ball valves electric

193



Ball valves pneumatic

221



Diaphragm valves pneumatic

253



Butterfly valves electric

270



Butterfly valves pneumatic

274



Angle seat valves pneumatic

277



Process control valves

279



Variable area flow meters

285



PVC-U Silicon Free

296

Fittings

General information

Materials

The material PVC-U conforms with the corresponding recommendations of the German Federal Board of Health.

Standards

All the main dimensions of solvent cement fittings and adaptor pipe fittings, such as nominal bore, z dimensions, socket depth and diameter, are in accordance with ISO Recommendations, ISO Draft Resolutions for millimetre pipes and DIN 8063.

Solvent cement joint	Threaded joint	Flange joints
ISO 727 DIN 8063 DIN EN ISO 15493 NF T54-028/016 DIN EN 1452-3 ASTM D-2464 ANSI B 1.20.1	ISO 7/1 ISO 228/1 DIN 2999 UNI 338 BSI 21	DIN 2501/8063 ISO 7005 BS 4504 ANSI / B16.5

For PVC-U Fittings in British Standard please request our special literature.

Joining

Solvent cement jointing:

Pipes with outside diameter tolerances in accordance with ISO 11922-3 can be readily jointed with GF Piping Systems fittings.

Threaded joint:

Threaded plastic fittings should be jointed to plastic pipes or to other plastic parts. Jointing to metal pipes or fittings is permissible only where there is little stress, and should be carried out with great care.

Solvent Cement

A cement with gap-filling properties must be used. Our instructions for solvent connections are based on the use of TANGIT solvent cement.

Nominal Pressure

Unless otherwise stated:

Conditional pressure for solvent cement fittings and adaptor fittings:

PN 16, i.e. 16 bar at 20°C (water).

Conditional pressure for threaded fittings:

PN 10, i.e. 10 bar at 20°C (water).

Marking

Solvent cement and adaptor pipe fittings from GF Piping Systems are marked as follows:

- +GF+
- pipe o.d. or pipe thread size
- Material

Pressure rating:

M = PN 16

unmarked = PN 10

S 6.3/PN 16 = PN 16

S 10/PN 10 = PN 10

Threaded pipe fittings from GF Piping Systems are marked as follows:

- +GF+
- pipe thread size
- Material

Reducing fittings are marked in the following sequence (Fig. 1):

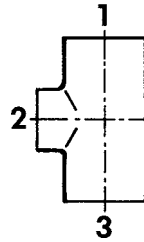


Fig. 1

Angle Marking

PVC fittings for solvent cement jointing from GF Piping Systems are being supplied with a 45° angle marking (Fig. 2).

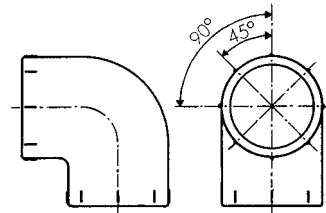


Fig. 2

Dimensions

All dimensions are given in mm.

Information Service

For detailed information see our Catalogue «Plastic Piping Systems».

Quality Mark

The GF Piping Systems PVC-U fittings are tested to the following national standards institutes. The quality and test levels of our PVC-U fittings are constantly inspected by these institutes in our works.

BSI, Kite Mark, England

NF, Marque de qualité, France

KIWA, Netherlands

UNI, Istituto Italiano Plastici, Italy

ÖNORM, Austria Plastics Institute, Austria

DIBT, TÜV Bavaria, Germany

Orders

Always quote the GF Piping Systems code number when placing orders.

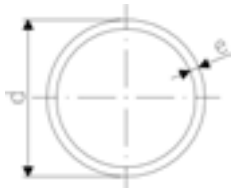
Ordering example

90° bend 721 000 111

List of abbreviations

ANSI	American National Standard	DN	Nominal bore
ASTM	American Society for Testing and Materials	PN	Nominal pressure at 20°C, water
BS	British Standard	kg	Weight in kilograms
DIN	Deutsche Industrie-Normen	SP	Standard pack. The figure given indicates the quantity of fittings contained in a standard pack
ISO	International Standardization Organisation	GP	Gross pack. The figure given indicates the quantity of fittings contained in a gross pack
ABS	Acrylnitril Butadien Styrene	G	Pipe thread, not pressure tight in the thread to ISO 228-1
PVC-U	Polyvinyl Chloride	NPT	Taper male thread pressure tight in the thread to ANSI B 1.20.1
PVC-C	Polyvinyl Chloride chlorinated	R	Taper male thread, pressure tight in the thread to ISO 7-1/DIN 2999-1
PP	Polypropylene, heat stabilised	Rc	Taper female thread, pressure tight in the thread to ISO 7-1/DIN 2999-1
PE	Polyethylene	Rp	Parallel female thread, pressure tight in the thread to ISO 7-1/DIN 2999-1
PVDF	Polyvinylidene fluoride	Tr	Trapezoid thread
EPDM	Ethylene Propylene Rubber	SC	Size of hexagon bolts
FPM	Fluorine Rubber, e.g. Viton®	s	A/F
NBR	Nitrile Rubber	e	Wall thickness
IIR	Butyl Rubber	AL	Number of bolt holes
CSM	Chlore Sulphonyl Polythene, e.g. Hypalon®	®	Registered trade-mark
CR	Chloroprene Rubber, e.g. Neoprene®		
PTFE	Polytetrafluorethylene, e.g. Teflon®		
PBTP	Polybutylene terephthalate		
UP-GF	Unsaturated polyester resin glassfibre reinforced		
St	Steel		
Ms	Brass		
Tg	Malleable Iron		
d	Pipe outside diameter		

Pipes

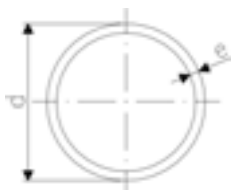


Pipes PVC-U, grey Series S 6.3, SDR 13.6, nominal pressure PN 16

Model:

- Material: PVC-U, Polyvinylchloride unplasticized DIN 8061
- Colour: RAL 7011 - dark-grey
- Dimension: DIN EN ISO 15493, DIN 8062
- Pipe length: 5m, with plain ends

d [mm]	PN	Code	kg/m	e [mm]	di [mm]
12	16	161 017 104	0.055	1.0	10.0
16	16	161 017 105	0.090	1.2	13.6
20	16	161 017 106	0.137	1.5	17.0
25	16	161 017 107	0.212	1.9	21.2
32	16	161 017 108	0.342	2.4	27.2
40	16	161 017 109	0.525	3.0	34.0
50	16	161 017 110	0.809	3.7	42.6
63	16	161 017 111	1.290	4.7	53.6
75	16	161 017 112	1.820	5.6	63.8
90	16	161 017 113	2.610	6.7	76.6
110	16	161 017 114	3.900	8.1	93.8
125	16	161 017 115	5.010	9.2	106.6
140	16	161 017 116	6.270	10.3	119.4
160	16	161 017 117	8.170	11.8	136.4

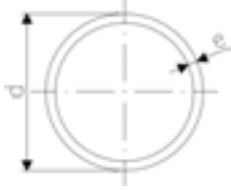


Pipes PVC-U, grey Series S 4, SDR 9, nominal pressure PN 16

Model:

- Material: PVC-U, Polyvinylchloride unplasticized DIN 8061
- Colour: RAL 7011 - dark-grey
- Dimension: DIN EN ISO 15493, DIN 8062
- Pipe length: 5m, with plain ends
- **Increased wall thickness for industrial use**

d [mm]	PN	Code	kg/m	e [mm]	di [mm]
6	16	161 017 126	0.025	1.0	4.0
8	16	161 017 127	0.035	1.0	6.0
10	16	161 017 128	0.053	1.2	7.6
12	16	161 017 129	0.073	1.4	9.2
16	16	161 017 130	0.123	1.8	12.4
20	16	161 017 131	0.196	2.3	15.4
25	16	161 017 132	0.294	2.8	19.4
32	16	161 017 133	0.482	3.6	24.8
40	16	161 017 134	0.750	4.5	31.0
50	16	161 017 135	1.160	5.6	38.8
63	16	161 017 136	1.820	7.0	49.0
75	16	161 017 137	2.600	8.4	58.2
90	16	161 017 138	-	10.0	70.0
110	16	161 017 139	5.560	12.3	85.4

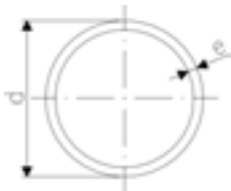


Pipes PVC-U, grey Series S 10, SDR 21, nominal pressure PN 10

Model:

- Material: PVC-U, Polyvinylchloride unplasticified DIN 8061
- Colour: RAL 7011 - dark-grey
- Dimension: DIN EN ISO 15493, DIN 8062
- Pipe length: 5m, with plain ends

d [mm]	PN	Code	kg/m	e [mm]	di [mm]
25	10	161 017 082	0.174	1.5	22.0
32	10	161 017 083	0.264	1.8	28.4
40	10	161 017 084	0.350	1.9	36.2
50	10	161 017 085	0.552	2.4	45.2
63	10	161 017 086	0.854	3.0	57.0
75	10	161 017 087	1.220	3.6	37.8
90	10	161 017 088	1.750	4.3	91.4
110	10	161 017 089	2.610	5.3	99.4
125	10	161 017 090	3.340	6.0	113.0
140	10	161 017 091	4.180	6.7	126.6
160	10	161 017 092	5.470	7.7	144.6
180	10	161 017 093	6.880	8.6	162.8
200	10	161 017 094	8.510	9.6	180.8
225	10	161 017 095	10.800	10.8	203.4
250	10	161 017 096	13.200	11.9	226.2
280	10	161 017 097	16.000	13.4	253.2
315	10	161 017 098	20.900	15.0	285.0

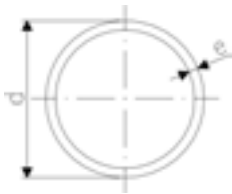


Pipes PVC-U, grey SDR 34.3, nominal pressure PN 6

Model:

- Material: PVC-U, Polyvinylchloride unplasticified DIN 8061
- Colour: RAL 7011 - dark-grey
- Dimension: DIN EN ISO 15493, DIN 8062
- Pipe length: 5m, with plain ends

d [mm]	PN	Code	kg/m	e [mm]	di [mm]
50	6	161 017 060	-	1.8	46.4
63	6	161 017 061	-	1.9	59.2
75	6	161 017 062	-	2.2	70.6
90	6	161 017 063	-	2.7	84.6
110	6	161 017 064	-	3.2	103.6
140	6	161 017 066	-	4.1	131.8
160	6	161 017 067	-	4.7	150.6
180	6	161 017 068	-	5.3	169.4
200	6	161 017 069	-	5.9	188.2
225	6	161 017 070	-	6.6	211.6
250	6	161 017 071	-	7.3	235.4
315	6	161 017 072	-	9.2	296.6
355	6	161 017 073	-	10.4	334.2
400	6	161 017 074	-	11.7	376.6



Pipes PVC-U, grey SDR 51, nominal pressure PN 4

Model:

- Material: PVC-U, Polyvinylchloride unplasticified DIN 8061
- Colour: RAL 7011 - dark-grey
- Dimension: DIN EN ISO 15493, DIN 8062
- Pipe length: 5m, with plain ends

d [mm]	PN	Code	kg/m	e [mm]	di [mm]
75	4	161 017 037	-	1.8	71.4
90	4	161 017 038	-	1.8	86.4
110	4	161 017 039	-	2.2	105.6
125	4	161 017 040	-	2.5	120.0
140	4	161 017 041	-	2.8	134.4
160	4	161 017 042	-	3.2	153.6
180	4	161 017 043	-	3.6	172.8
200	4	161 017 044	-	4.0	192.0
225	4	161 017 045	-	4.5	216.0
250	4	161 017 046	-	4.9	240.2
280	4	161 017 047	-	5.5	269.0
315	4	161 017 048	-	6.2	302.6

Pipes PVC-U, red SDR 13,5, nominal pressure PN 16

Model:

- Material: PVC-U, Polyvinylchlorid
- Dimension: DIN 8062
- Colour: red troisdorf
- Pipe length: 5000 mm, plain ends

d [mm]	PN	Code	kg/m	e [mm]
12	16	300 000 053	-	1.0
16	16	300 000 054	0.090	1.2
20	16	300 000 055	-	1.5
25	16	300 000 056	-	1.9
32	16	300 000 057	-	2.4
40	16	300 000 058	-	3.0
50	16	300 000 059	-	3.7
63	16	300 000 060	-	4.7
75	16	300 000 061	-	5.6
90	16	300 000 062	-	6.7
110	16	300 000 063	-	8.2

Pipes PVC-U, red SDR 21, nominal pressure PN 10

Model:

- Material: PVC-U, Polyvinylchlorid
- Dimension: DIN 8062
- Colour: red troisdorf
- Pipe length: 5000 mm, plain ends

d [mm]	PN	Code	kg/m	e [mm]
32	10	300 000 043	-	1.8
40	10	300 000 044	-	1.9
50	10	300 000 045	-	2.4
63	10	300 000 046	-	3.0
75	10	300 000 047	-	3.6
90	10	300 000 048	-	4.3
110	10	300 000 049	-	5.3
140	10	300 000 050	-	6.7
160	10	300 000 051	-	7.7
225	10	300 000 052	-	10.8

Pipes PVC-U, red SDR 9, nominal pressure PN 16

Model:

- Material: PVC-U, Polyvinylchlorid
- Dimension: DIN 8062
- Colour: red troisdorf
- Pipe length: 5000 mm, plain ends
- **Increase wall thickness for industrial use**

d [mm]	PN	Code	kg/m	e [mm]
10	16	300 000 064	-	1.2
16	16	300 000 065	-	1.8
20	16	300 000 066	-	2.3
25	16	300 000 067	-	2.8
32	16	300 000 068	-	3.6
40	16	300 000 069	-	4.5
50	16	300 000 070	-	5.6
63	16	300 000 071	-	7.0

Pipes PVC-U, red L-HP

Model:

- Material: PVC-U, Polyvinylchlorid
- Dimension: DIN 8061/62
- food grade*
- colour: red (similar RAL 2002)
- Pipe length: 5000 mm, plain ends

Remark:

* approved for food contact by BAM.Berlin
Certificate on request

d [mm]	Code	kg/m	e [mm]
16	300 000 101	-	1.8
20	300 000 102	-	2.3
25	300 000 103	-	2.8
32	300 000 104	-	2.4
40	300 000 105	-	3.0
50	300 000 106	-	3.7
63	300 000 107	-	4.7
75	300 000 108	-	5.6
90	300 000 109	-	6.7
110	300 000 110	-	8.2

Fittings

21 00 01

Bends 90°, PVC-U metric



d [mm]	PN	Code	SP	GP	kg	z [mm]	D [mm]	L [mm]
20	16	721 000 106	10	100	0.028	40	27	56
25	16	721 000 107	10	100	0.049	50	33	69
32	16	721 000 108	10	50	0.067	64	38	86
40	16	721 000 109	30	-	0.154	80	47	106
50	16	721 000 110	5	-	0.277	100	61	131
63	16	721 000 111	5	-	0.515	126	76	164
75	16	721 000 112	5	-	0.786	150	90	194
90	16	721 000 113	5	-	1.334	180	108	231
110	16	721 000 114	5	-	2.960	220	137	281
140	16	721 000 116	2	-	5.100	280	168	356
160	16	721 000 117	1	-	7.300	320	192	406

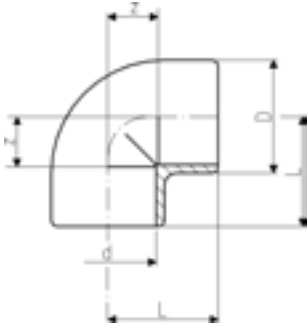
21 01 01

Bends 90° short pattern, PVC-U metric



d [mm]	PN	Code	SP	GP	kg	z [mm]	D [mm]	L [mm]
225	10	721 010 120	1	-	7.400	168	256	287
280	10	721 010 122	1	-	16.100	210	318	357
315	10	721 010 123	1	-	21.200	237	356	402
400	6	721 010 125	-	-	30.000	300	442	521

Elbows 90°, PVC-U metric

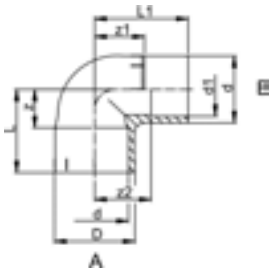


d [mm]	PN	Code	SP	GP	kg	z [mm]	D [mm]	L [mm]
6	16	721 100 101	10	700	0.004	4	11	16
8	16	721 100 102	10	550	0.004	5	13	17
10	16	721 100 103	10	500	0.004	6	14	18
12	16	721 100 104	10	150	0.006	7	17	19
16	16	721 100 105	10	100	0.009	9	21	23
20	16	721 100 106	10	100	0.013	11	25	27
25	16	721 100 107	10	100	0.025	14	32	33
32	16	721 100 108	10	100	0.041	17	40	39
40	16	721 100 109	10	50	0.064	23	47	49
50	16	721 100 110	10	100	0.109	26	59	57
63	16	721 100 111	10	-	0.204	33	73	71
75	16	721 100 112	5	-	0.329	40	87	83
90	16	721 100 113	5	-	0.573	46	105	97
110	16	721 100 114	4	-	1.026	55	128	116
125	16	721 100 115	1	-	1.460	63	146	131
140	16	721 100 116	4	-	2.340	70	162	146
160	16	721 100 117	2	-	3.475	80	185	166
200	10	721 100 119	1	-	4.700	101	225	207
225	10	721 100 120	1	-	6.950	114	252	233
250	10	721 100 121	1	-	9.500	131	282	263

PRO-FIT Elbows 90°, PVC-U metric

Model:

- Outlet: A = Solvent cemented socket metric
- Outlet: B = Solvent cemented spigot in combination with reducing socket metric
- Direct connection from fitting to fitting allowing shortest possible overall length



d [mm]	d1 [mm]	PN	Code	SP	GP	kg	z [mm]	z1 [mm]	z2 [mm]	D [mm]	L [mm]	L1 [mm]
20	16	16	721 100 306	10	100	0.013	11	16	18	25	27	32
25	20	16	721 100 307	10	100	0.022	14	18	21	31	33	37
32	25	16	721 100 308	10	100	0.040	17	22	25	38	39	44
40	32	16	721 100 309	10	50	0.070	23	30	34	47	49	56
50	40	16	721 100 310	10	50	0.122	26	36	41	58	57	67
63	50	16	721 100 311	10	-	0.237	33	45	52	73	71	83

PRO-FIT Elbows 45°, PVC-U metric

Model:

- Outlet: A = Solvent cemented socket metric
- Outlet: B = Solvent cemented spigot in combination with reducing socket metric
- Direct connection from fitting to fitting allowing shortest possible overall length



d [mm]	d1 [mm]	PN	Code	SP	GP	kg	z [mm]	z1 [mm]	z2 [mm]	D [mm]	L [mm]	L1 [mm]
20	16	16	721 150 306	10	100	0.010	5	9	11	25	21	25
25	20	16	721 150 307	10	100	0.016	6	11	14	31	25	30
32	25	16	721 150 308	10	100	0.030	8	13	16	38	30	35
40	32	16	721 150 309	5	50	0.052	10	17	21	47	36	43
50	40	16	721 150 310	5	50	0.090	12	18	23	58	43	49
63	50	16	721 150 311	5	50	0.176	14	23	30	73	52	61

21 15 01

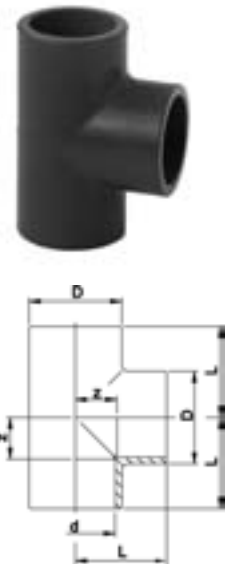
Elbows 45°, PVC-U metric



d [mm]	PN	Code	SP	GP	kg	z [mm]	D [mm]	L [mm]
16	16	721 150 105	10	100	0.008	5	21	19
20	16	721 150 106	10	100	0.011	5	25	21
25	16	721 150 107	10	100	0.018	6	31	25
32	16	721 150 108	10	100	0.029	8	38	30
40	16	721 150 109	10	50	0.049	10	47	36
50	16	721 150 110	5	50	0.089	12	59	43
63	16	721 150 111	5	50	0.161	14	73	52
75	16	721 150 112	5	-	0.250	17	87	61
90	16	721 150 113	5	-	0.431	20	105	71
110	16	721 150 114	5	-	0.733	25	127	86
125	16	721 150 115	1	-	1.162	28	146	97
140	16	721 150 116	1	-	1.639	32	162	108
160	16	721 150 117	4	-	2.520	36	185	122
200	10	721 150 119	2	-	3.300	43	225	149
225	10	721 150 120	1	-	4.900	49	250	168
250	10	721 150 121	1	-	7.150	60	282	192
280	10	721 150 122	1	-	10.800	66	318	213
315	10	721 150 123	1	-	14.900	74	356	239
400	6	721 150 125	1	-	24.000	94	442	302

21 20 01

Tees 90° equal, PVC-U metric



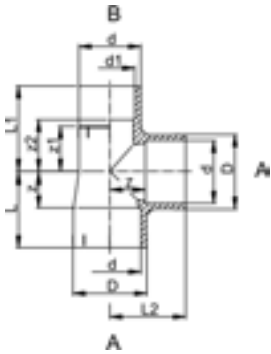
d [mm]	PN	Code	SP	GP	kg	z [mm]	D [mm]	L [mm]
6	16	721 200 101	10	550	0.004	4	11	16
8	16	721 200 102	10	500	0.008	5	13	17
10	16	721 200 103	10	350	0.008	6	16	18
12	16	721 200 104	10	280	0.016	7	19	19
16	16	721 200 105	10	100	0.012	9	21	23
20	16	721 200 106	10	100	0.017	11	25	27
25	16	721 200 107	10	100	0.029	14	31	33
32	16	721 200 108	10	100	0.055	17	38	39
40	16	721 200 109	10	50	0.100	23	48	49
50	16	721 200 110	10	-	0.153	26	58	57
63	16	721 200 111	10	-	0.334	33	73	71
75	16	721 200 112	5	-	0.473	39	87	83
90	16	721 200 113	5	-	0.822	46	105	97
110	16	721 200 114	6	-	1.392	55	127	116
125	16	721 200 115	2	-	2.400	66	151	135
140	16	721 200 116	1	1	3.546	71	169	147
160	16	721 200 117	1	-	4.963	81	193	167
200	10	721 200 119	1	-	5.763	101	225	207
225	10	721 200 120	1	-	9.067	114	256	233
250	10	721 200 121	-	-	12.500	132	282	263
280	10	721 200 122	1	-	17.480	152	318	298
315	10	721 200 123	1	-	24.350	168	356	332
400	6	721 200 125	-	-	39.500	214	442	420

21 20 03

PRO-FIT Tees 90° equal, PVC-U metric

Model:

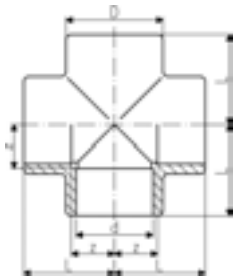
- Outlet: A = Solvent cemented socket metric
- Outlet: B = Solvent cemented spigot in combination with reducing socket metric
- Direct connection from fitting to fitting allowing shortest possible overall length



d [mm]	d1 [mm]	PN	Code	SP	GP	kg	z [mm]	z1 [mm]	z2 [mm]	D [mm]	L [mm]	L1 [mm]	L2 [mm]
20	16	16	721 200 306	10	100	0.017	11	17	19	25	27	33	27
25	20	16	721 200 307	10	100	0.028	14	19	22	31	33	38	33
32	25	16	721 200 308	10	100	0.052	17	24	27	38	39	46	39
40	32	16	721 200 309	10	50	0.098	23	30	34	47	47	56	49
50	40	16	721 200 310	10	-	0.173	26	36	41	58	57	67	57
63	50	16	721 200 311	10	-	0.329	33	45	52	73	71	83	71

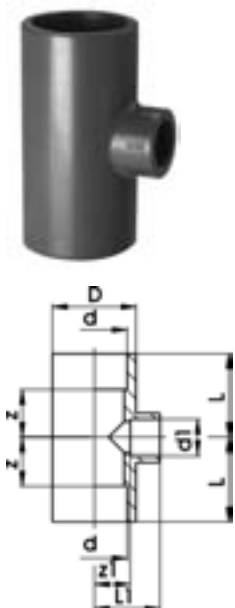
21 30 01

Crosses, PVC-U metric



d [mm]	PN	Code	SP	GP	kg	z [mm]	D [mm]	L [mm]
10	16	721 300 103	100	-	0.009	7	16	19
12	16	721 300 104	100	-	0.011	8	18	20
16	16	721 300 105	100	-	0.020	10	23	24
20	16	721 300 106	10	100	0.037	11	29	27
25	16	721 300 107	10	100	0.058	14	35	33
32	16	721 300 108	10	50	0.092	17	43	39
40	16	721 300 109	5	50	0.155	23	52	49
50	16	721 300 110	5	30	0.265	28	63	59
63	16	721 300 111	5	-	0.480	34	79	72
75	10	721 300 112	3	-	0.660	40	92	83
90	10	721 300 113	4	-	0.960	48	106	97
110	10	721 300 114	4	-	1.600	58	128	117

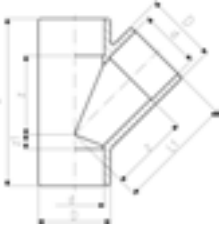
Tees 90° reducing, PVC-U metric



d [mm]	d1 [mm]	PN	Code	SP	GP	kg	z [mm]	z1 [mm]	D [mm]	L [mm]	L1 [mm]
25	20	16	721 200 134	10	100	0.055	14	14	33	33	30
32	20	16	721 200 141	10	100	0.089	17	17	41	39	33
32	25	16	721 200 138	10	100	0.092	17	17	41	39	36
40	20	16	721 200 155	10	20	0.105	23	23	50	49	39
40	25	16	721 200 151	10	50	0.107	23	23	50	49	42
40	32	16	721 200 147	10	20	0.161	23	23	50	49	45
50	20	16	721 200 009	5	50	0.180	28	28	62	59	44
50	25	16	721 200 010	5	50	0.184	28	28	62	59	47
50	32	16	721 200 164	5	20	0.189	28	28	62	59	50
50	40	16	721 200 161	5	20	0.198	28	28	62	59	54
63	25	16	721 200 011	10	-	0.330	35	34	77	73	53
63	32	16	721 200 178	5	-	0.335	35	34	77	73	56
63	40	16	721 200 174	5	-	0.340	35	34	77	73	60
63	50	16	721 200 170	5	-	0.360	35	34	77	73	65
75	32	16	721 200 181	9	-	0.520	40	41	92	84	63
75	40	16	721 200 182	9	-	0.515	40	41	92	84	67
75	50	16	721 200 183	8	-	0.510	40	41	92	84	72
75	63	16	721 200 184	8	-	0.560	40	41	92	84	79
90	32	16	721 200 142	6	-	0.830	46	55	110	97	77
90	50	16	721 200 144	6	-	0.860	46	55	110	97	86
90	63	16	721 200 145	5	-	0.890	46	55	110	97	93
90	75	16	721 200 146	5	-	0.950	46	55	110	97	99
110	32	16	721 200 135	3	-	1.400	56	67	133	117	89
110	50	16	721 200 136	3	-	1.425	56	67	133	117	98
110	63	16	721 200 132	-	-	1.490	56	65	133	117	103
110	75	16	721 200 133	-	-	1.520	56	65	133	117	109
110	90	16	721 200 137	3	-	1.500	56	65	133	117	116
125	50	16	721 200 139	4	-	1.970	64	75	151	133	106
125	90	16	721 200 140	4	-	2.200	64	75	151	133	126
140	50	16	721 200 148	1	-	3.000	72	82	172	148	113
140	75	16	721 200 149	1	-	3.000	72	78	172	148	122
140	110	16	721 200 150	1	-	3.200	72	74	172	148	135
160	110	16	721 200 152	1	-	4.100	81	81	192	167	142
200	110	10	721 200 153	-	-	7.450	107	131	232	213	192
200	160	10	721 200 154	-	-	8.230	107	106	232	213	192
225	110	10	721 200 156	-	-	9.200	120	143	257	239	204
225	160	10	721 200 157	-	-	10.000	120	119	257	239	205
250	160	10	721 200 159	-	-	11.500	132	151	282	263	237
250	200	10	721 200 162	-	-	12.300	132	131	282	263	237
280	160	10	721 200 165	-	-	18.200	120	180	318	266	266
280	225	10	721 200 167	-	-	16.200	120	148	318	266	268
315	160	10	721 200 169	-	-	22.300	120	197	356	284	283
315	225	10	721 200 172	-	-	20.300	120	165	356	284	284
400	225	6	721 200 176	-	-	36.500	163	258	442	369	377
400	315	6	721 200 180	-	-	32.000	163	213	442	369	377

21 25 01

Tees 45°, PVC-U metric



d [mm]	PN	Code	SP	GP	kg	z [mm]	z1 [mm]	D [mm]	L [mm]	L1 [mm]
10	10	721 250 103	100	-	0.013	18	4	16	46	30
12	10	721 250 104	100	-	0.014	21	4	18	49	33
16	10	721 250 105	100	-	0.023	25	5	23	58	39
20	10	721 250 106	10	50	0.037	30	6	28	68	46
25	10	721 250 107	10	50	0.057	36	9	33	83	55
32	10	721 250 108	10	50	0.096	45	10	41	99	67
40	10	721 250 109	10	-	0.157	56	10	50	118	82
50	10	721 250 110	10	-	0.266	66	12	60	140	97
63	10	721 250 111	5	-	0.435	85	14	74	175	123
75	6	721 250 112	5	-	0.810	101	18	91	207	145
90	6	721 250 113	1	-	1.290	122	20	107	245	173
110	6	721 250 114	3	-	2.540	149	27	134	298	210
125	6	721 250 115	2	-	3.605	167	30	147	335	236
140	6	721 250 116	1	-	3.800	190	34	168	376	266
160	6	721 250 117	1	-	6.600	213	41	190	428	300
200	6	721 250 119	-	-	11.650	265	48	232	527	372
225	6	721 250 120	-	-	15.800	296	54	260	590	416
250	6	721 250 121	-	-	20.350	330	60	286	654	462

21 91 01

Sockets equal, PVC-U metric

Note:

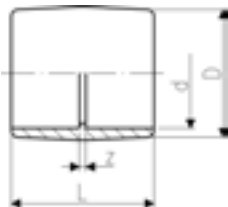
- * Socket d355 and d400 fabricated from pipe



d [mm]	PN	Code	SP	GP	kg	z [mm]	D [mm]	L [mm]
6	16	721 910 101	10	1000	0.004	3	12	27
8	16	721 910 102	10	600	0.005	3	14	27
10	16	721 910 103	10	500	0.005	3	16	27
12	16	721 910 104	400	-	0.006	3	19	27
16	16	721 910 105	10	100	0.007	3	22	31
20	16	721 910 106	10	100	0.011	3	26	35
25	16	721 910 107	10	100	0.015	3	32	41
32	16	721 910 108	10	100	0.026	3	39	47
40	16	721 910 109	10	100	0.046	3	48	55
50	16	721 910 110	10	50	0.065	3	58	65
63	16	721 910 111	10	50	0.119	3	73	79
75	16	721 910 112	10	-	0.191	4	87	92
90	16	721 910 113	10	-	0.328	5	105	107
110	16	721 910 114	5	-	0.560	6	128	128
125	16	721 910 115	4	-	0.740	7	142	145
140	16	721 910 116	2	-	1.200	7	162	159
160	16	721 910 117	1	-	1.542	8	183	180
200	10	721 910 119	4	-	2.031	9	221	221
225	10	721 910 120	2	-	3.790	10	253	248
250	10	721 910 121	1	-	5.600	16	284	284
280	10	721 910 122	1	-	6.680	16	321	314
315	10	721 910 123	1	-	8.300	16	356	348
*355	6	721 910 124	-	-	8.000	68	377	454
*400	6	721 910 125	-	-	8.300	73	425	505

52 91 01

Sockets equal, PVC-U transparent metric



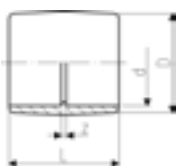
d [mm]	PN	Code	SP	GP	kg	z [mm]	D [mm]	L [mm]	
16	16	752 910 105	10	350	0.009	3	23	31	
20	16	752 910 106	10	240	0.012	3	27	35	
25	16	752 910 107	10	150	0.021	3	32	41	
32	16	752 910 108	10	80	0.028	3	40	47	
40	16	752 910 109	10	100	0.057	3	52	55	
50	16	752 910 110	10	60	0.069	3	60	65	
63	16	752 910 111	5	10	0.138	3	75	79	

21 91 31

Adaptor Socket, PVC-U metric - (inch BS)

Model:

- With solvent cement socket metric and inch (BS)



d [mm]	Inch	PN	Code	SP	GP	kg	z [mm]	D [mm]	L [mm]	
16	3/8	16	721 913 105	10	800	0.010	5	23	35	
20	1/2	16	721 913 106	10	500	0.013	5	27	38	
25	3/4	16	721 913 107	10	200	0.020	5	33	45	
32	1	16	721 913 108	10	100	0.031	5	41	51	
40	1 1/4	16	721 913 109	10	50	0.054	5	51	60	
50	1 1/2	16	721 913 110	10	60	0.076	4	59	65	
63	2	16	721 913 111	5	10	0.154	5	75	79	
90	3	16	721 913 113	10	-	0.340	6	104	108	
110	4	16	721 913 115	5	-	0.485	4	128	128	

21 90 09

Barrel Nipples, PVC-U metric

Model:

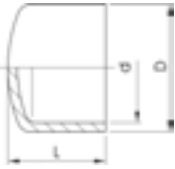
- With solvent cement spigots on both sides
- For the shortest possible distance between fittings
- Overall length L = 2 x socket length



d [mm]	PN	Code	SP	GP	kg	L [mm]	
16	16	721 900 905	-	-	0.002	28	
20	16	721 900 906	-	-	0.004	32	
25	16	721 900 907	-	-	0.008	38	
32	16	721 900 908	-	-	0.015	44	
40	16	721 900 909	-	-	0.027	52	
50	16	721 900 910	-	-	0.050	62	
63	16	721 900 911	-	-	0.098	76	
75	16	721 900 912	-	-	0.160	88	
90	16	721 900 913	-	-	0.266	102	
110	16	721 900 914	-	-	0.476	122	
125	16	721 900 915	-	-	0.691	138	
140	16	721 900 916	-	-	0.953	152	
160	16	721 900 917	-	-	1.569	192	
200	10	721 900 919	-	-	1.804	212	
225	10	721 900 920	-	-	2.570	238	

21 96 01

Caps, PVC-U metric



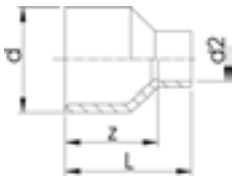
d [mm]	PN	Code	SP	GP	kg	D [mm]	L [mm]	
12	16	721 960 104	10	500	0.004	19	15	
16	16	721 960 105	10	100	0.006	23	21	
20	16	721 960 106	10	100	0.009	27	24	
25	16	721 960 107	10	100	0.014	33	28	
32	16	721 960 108	10	100	0.021	40	32	
40	16	721 960 109	10	100	0.031	47	38	
50	16	721 960 110	10	100	0.052	59	45	
63	16	721 960 111	5	50	0.092	74	56	
75	16	721 960 112	5	50	0.152	87	65	
90	16	721 960 113	5	-	0.270	105	77	
110	16	721 960 114	5	-	0.460	128	94	
140	10	721 960 116	10	-	0.880	164	92	
160	10	721 960 117	2	-	1.490	188	130	

21 91 03

Reducing Bushes, PVC-U metric

Model:

- With spigot and solvent cement socket

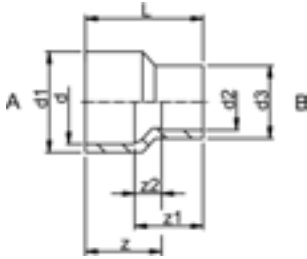


d [mm]	d2 [mm]	PN	Code	SP	GP	kg	z [mm]	L [mm]	
8	6	16	721 910 323	10	800	0.003	15	27	
10	6	16	721 910 326	10	700	0.003	15	27	
10	8	16	721 910 325	10	700	0.003	15	27	
20	16	16	721 910 334	10	320	0.010	21	35	
25	20	16	721 910 337	10	220	0.015	25	41	
32	25	16	721 910 341	10	120	0.025	30	49	
40	32	16	721 910 346	10	100	0.044	36	58	
50	40	16	721 910 352	10	50	0.075	44	70	
63	50	16	721 910 358	5	50	0.146	54	85	
75	63	16	721 910 364	5	50	0.220	62	100	
90	75	16	721 910 370	5	-	0.335	74	118	
140	110	16	721 910 385	2	-	0.814	111	172	

PRO-FIT Reducing Bushes, PVC-U metric

Model:

- Outlet: A and B = Solvent cemented spigot in combination with reducing socket metric



d	d1	d2	d3	PN	Code	SP	GP	kg	z	z1	z2	L
[mm]	[mm]	[mm]	[mm]						[mm]	[mm]	[mm]	[mm]
8	12	10		16	721 910 903	10	700	0.003	15	15	3	27
12	16	8	12	16	721 910 905	10	100	0.003	18	18	6	30
12	16	10	16	16	721 910 906	10	600	0.006	18	18	6	30
16	20	10	16	16	721 910 908	10	500	0.005	21	19	7	33
16	20	12	16	16	721 910 909	10	400	0.005	21	19	7	33
20	25	12	16	16	721 910 910	10	300	0.008	25	21	9	37
20	25	16	20	16	721 910 911	10	100	0.008	25	23	9	39
25	32	12	16	16	721 910 912	10	100	0.014	30	23	11	42
25	32	16	20	16	721 910 913	10	100	0.015	30	26	12	44
25	32	20	25	16	721 910 914	10	100	0.017	30	27	11	46
32	40	16	20	16	721 910 915	100	-	0.025	36	28	14	50
32	40	20	25	16	721 910 916	10	100	0.027	36	30	14	52
32	40	25	32	16	721 910 917	10	100	0.032	36	33	14	55
40	50	20	25	16	721 910 918	10	100	0.046	44	34	18	60
40	50	25	32	16	721 910 919	10	100	0.052	44	37	18	63
40	50	32	40	16	721 910 920	10	100	0.059	44	40	18	66
50	63	25	32	16	721 910 921	5	50	0.092	54	42	23	73
50	63	32	40	16	721 910 922	5	50	0.099	54	45	23	76
50	63	40	50	16	721 910 923	5	50	0.112	54	49	23	80
63	75	32	40	16	721 910 924	5	50	0.128	62	46	24	84
63	75	40	50	16	721 910 925	5	50	0.139	62	50	24	88
63	75	50	63	16	721 910 926	5	50	0.169	62	55	24	93
75	90	40	50	16	721 910 927	10	-	0.232	74	56	30	100
75	90	50	63	16	721 910 928	10	-	0.260	74	61	30	105
75	90	63	75	16	721 910 929	10	-	0.275	74	68	30	112

Reducing Bushes short, PVC-U metric

Model:

- With spigot and solvent cement socket

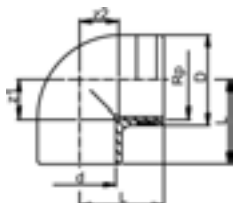


d [mm]	d1 [mm]	PN	Code	SP	GP	kg	z [mm]	L [mm]
*12	8	16	721 900 329	10	1200	0.002	2	14
*16	12	16	721 900 331	10	1000	0.002	2	14
*20	16	16	721 900 334	10	500	0.003	2	16
*25	20	16	721 900 337	10	450	0.005	3	19
*32	20	16	721 900 342	10	100	0.014	6	22
*32	25	16	721 900 341	10	100	0.009	3	22
40	20	16	721 900 348	10	100	0.021	10	26
40	25	16	721 900 347	10	100	0.021	7	26
*40	32	16	721 900 346	10	100	0.016	4	26
50	20	16	721 900 355	10	100	0.033	15	31
50	25	16	721 900 354	10	100	0.034	12	31
50	32	16	721 900 353	10	100	0.037	9	31
*50	40	16	721 900 352	100	-	0.030	5	31
63	32	16	721 900 360	10	100	0.061	16	38
63	40	16	721 900 359	10	100	0.068	12	38
*63	50	16	721 900 358	10	100	0.058	7	38
75	50	16	721 900 365	10	50	0.106	13	44
*75	63	16	721 900 364	10	50	0.077	6	44
90	50	16	721 900 372	10	-	0.179	20	51
90	63	16	721 900 371	10	-	0.183	13	51
*90	75	16	721 900 370	10	-	0.136	7	51
110	50	16	721 900 379	5	-	0.309	30	61
110	63	16	721 900 378	5	-	0.313	23	61
110	75	16	721 900 377	-	-	0.255	17	61
*110	90	16	721 900 376	5	-	0.259	10	61
125	90	16	721 900 381	5	-	0.484	18	69
*125	110	16	721 900 380	5	-	0.266	8	69
140	90	16	721 900 386	5	-	0.560	25	76
*140	110	16	721 900 385	5	-	0.599	15	76
*140	125	16	721 900 384	5	-	0.420	7	76
160	90	16	721 900 391	5	-	0.750	35	86
160	110	16	721 900 390	5	-	0.868	25	86
*160	140	16	721 900 388	5	-	0.547	10	86
200	110	10	721 900 393	-	-	1.900	45	106
200	125	10	721 900 325	-	-	1.940	37	106
200	140	10	721 900 394	-	-	1.850	30	106
200	160	10	721 900 392	2	-	1.070	20	106
225	110	10	721 900 397	4	-	2.450	58	119
225	125	10	721 900 399	-	-	2.500	50	119
225	140	10	721 900 398	4	-	2.500	43	119
225	160	10	721 900 396	2	-	2.200	33	119
*225	200	10	721 900 181	4	-	1.400	13	119
250	125	10	721 900 326	-	-	3.150	62	131
250	140	10	721 900 300	4	-	3.200	55	131
250	160	10	721 900 301	4	-	3.080	45	131
*250	200	10	721 900 302	4	-	3.150	25	131
*250	225	10	721 900 303	4	-	1.700	12	131
280	140	10	721 900 307	-	-	4.000	69	148
280	160	10	721 900 308	1	-	4.100	59	148
280	200	10	721 900 304	-	-	4.250	40	146
*280	225	10	721 900 305	1	-	4.300	27	146
*280	250	10	721 900 306	1	-	2.500	15	146
315	160	10	721 900 313	1	-	2.050	77	166
315	200	10	721 900 309	1	-	5.300	57	166
315	225	10	721 900 310	-	-	5.500	45	164
*315	250	10	721 900 311	1	-	6.300	33	164
*315	280	10	721 900 312	1	-	3.550	17	164
355	315	6	721 900 315	-	-	5.300	20	184
400	250	6	721 900 319	-	-	9.000	75	206
400	280	6	721 900 320	-	-	9.200	60	206
400	315	6	721 900 321	-	-	13.100	42	206
*400	355	6	721 900 322	-	-	7.600	22	206

Adaptor Fittings

21 10 02

Elbows 90°, PVC-U metric - Rp



Model:

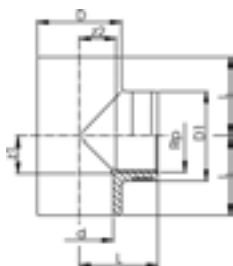
- With solvent cement socket metric and parallel female thread Rp
- Reinforcing ring stainless (A2)
- Connection to plastic or metal
- Do not use thread sealing pastes that are harmful to PVC-U
- Install with low mechanical stress and avoid large cyclic temperature changes

* without reinforcement, connection only for plastic threads

d [mm]	Rp [inch]	PN	Code	SP	GP	kg	z1 [mm]	z2 [mm]	D [mm]	L [mm]
12	¼	16	721 100 204	10	100	0.011	7	7	20	19
16	⅜	16	721 100 205	10	100	0.015	9	9	25	23
20	½	16	721 100 206	10	100	0.025	13	11	30	27
25	¾	16	721 100 207	10	80	0.034	16	15	35	33
32	1	16	721 100 208	10	40	0.060	19	19	45	39
40	1 ¼	16	721 100 209	10	100	0.123	23	27	55	50
50	1 ½	16	721 100 210	5	30	0.185	27	36	62	58
63	2	16	721 100 211	10	-	0.326	33	46	75	73
*75	2 ½	10	721 100 212	5	-	0.438	40	56	90	84
*90	3	10	721 100 213	5	-	0.800	48	68	108	99
*110	4	10	721 100 214	1	-	1.245	58	82	132	119

21 20 02

Tees 90°, PVC-U metric - Rp



Model:

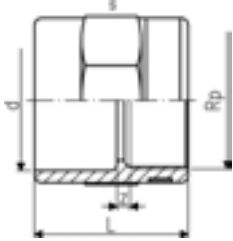
- With solvent cement socket metric, branch with parallel female thread Rp
- Leaving with cylindrical pipe internal thread Rp
- Reinforcing ring stainless (A2)
- Connection to plastic or metal
- Do not use thread sealing pastes that are harmful to PVC-U
- Install with low mechanical stress and avoid large cyclic temperature changes

* without reinforcement, connection only for plastic threads

d [mm]	Rp [inch]	PN	Code	SP	GP	kg	z1 [mm]	z2 [mm]	D [mm]	D1 [mm]	L [mm]
12	¼	16	721 200 204	10	280	0.015	7	7	17	20	19
16	⅜	16	721 200 205	10	100	0.027	9	9	21	25	23
20	½	16	721 200 206	10	100	0.025	11	13	26	30	29
25	¾	16	721 200 207	10	100	0.039	14	15	32	35	33
32	1	16	721 200 208	10	30	0.071	17	19	40	45	39
40	1 ¼	16	721 200 209	10	50	0.188	23	26	47	55	49
50	1 ½	16	721 200 210	5	10	0.190	27	36	59	59	59
63	2	16	721 200 211	5	-	0.360	33	46	74	75	71
*75	2 ½	10	721 200 212	5	-	0.609	40	56	92	92	84
*90	3	10	721 200 213	5	-	1.076	48	68	110	110	99
*110	4	10	721 200 214	1	1	1.686	58	82	133	132	119

21 91 02

Adaptor Sockets, PVC-U metric - Rp



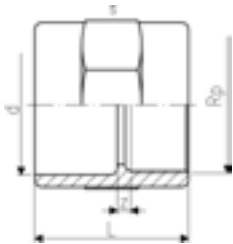
Model:

- With solvent cement socket metric and parallel female thread Rp
- Reinforcing ring stainless (A2)
- Connection to plastic or metal
- Do not use thread sealing pastes that are harmful to PVC-U
- Install with low mechanical stress and avoid large cyclic temperature changes

d [mm]	Rp [inch]	PN	Code	SP	GP	kg	z [mm]	L [mm]	s [mm]
12	¼	16	721 910 204	10	100	0.010	4	27	22
16	⅜	16	721 910 205	10	100	0.017	5	31	27
20	½	16	721 910 206	10	100	0.025	5	36	32
25	¾	16	721 910 207	10	100	0.032	5	40	36
32	1	16	721 910 208	10	100	0.070	5	45	46
40	1 ¼	16	721 910 209	10	50	0.085	5	51	55
50	1 ½	16	721 910 210	10	50	0.125	7	59	65
63	2	16	721 910 211	5	50	0.170	7	69	80

21 91 60

Adaptor Sockets, PVC-U metric - Rp



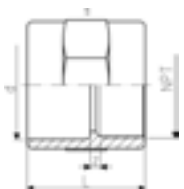
Model:

- With solvent cement socket metric and parallel female thread Rp
- Connection to plastic thread only
- Do not use thread sealing pastes that are harmful to PVC-U
- Install with low mechanical stress and avoid large cyclic temperature changes

d [mm]	Rp [inch]	PN	Code	SP	GP	kg	z [mm]	L [mm]	s [mm]
75	2 ½	10	721 916 012	10	-	0.223	7	82	90
90	3	10	721 916 013	5	-	0.374	9	94	110
110	4	10	721 916 014	5	-	0.542	9	110	130

21 91 42

Adaptor Sockets, PVC-U metric - NPT



Model:

- With solvent cement socket metric and NPT (ASTM) taper female thread
- Connection to plastic thread only
- Do not use thread sealing pastes that are harmful to PVC-U
- Install with low mechanical stress and avoid large cyclic temperature changes

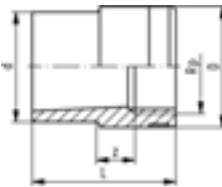
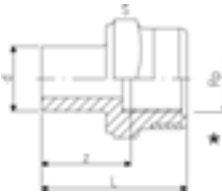
d [mm]	NPT [inch]	PN	Code	SP	GP	kg	z [mm]	L [mm]	s [mm]
20	½	10	721 914 206	10	100	0.022	5	35	32
25	¾	10	721 914 207	10	100	0.027	6	40	36
32	1	10	721 914 208	10	100	0.050	6	45	46
40	1 ¼	10	721 914 209	10	100	0.075	6	51	55
50	1 ½	10	721 914 210	10	50	0.109	10	59	65
63	2	10	721 914 211	5	50	0.176	10	69	80
75	2 ½	10	721 914 212	10	-	0.247	11	82	90
90	3	10	721 914 213	5	-	0.381	14	94	110
110	4	10	721 914 214	5	-	0.557	18	110	130

21 91 04

Reducing Bushes, PVC-U metric - Rp

Model:

- With solvent cement spigot metric and parallel female thread Rp
- Reinforcing ring stainless (A2)
- Connection to plastic or metal
- Do not use thread sealing pastes that are harmful to PVC-U
- Install with low mechanical stress and avoid large cyclic temperature changes



d [mm]	Rp [inch]	PN	Code	SP	GP	kg	z [mm]	D [mm]	L [mm]	s [mm]
*12	1/4	16	721 910 404	10	100	0.007	17	20	27	22
20	3/8	16	721 910 434	10	100	0.014	24	25	35	15
25	1/2	16	721 910 437	10	100	0.021	27	30	41	21
32	3/4	16	721 910 441	10	100	0.032	32	35	48	33
40	1	16	721 910 446	10	100	0.060	38	45	56	60
50	1 1/4	16	721 910 452	10	60	0.097	46	55	66	99
63	1 1/2	16	721 910 458	5	45	0.148	57	62	77	150

21 90 04

Adaptor Bushes equal, PVC-U metric - Rp

Model:

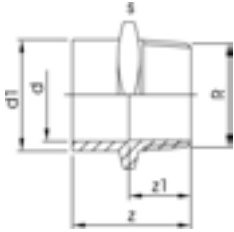
- With solvent cement spigot metric and parallel female thread Rp
- Connection to plastic thread only
- Do not use thread sealing pastes that are harmful to PVC-U
- Install with low mechanical stress and avoid large cyclic temperature changes



d [mm]	Rp [inch]	PN	Code	SP	GP	kg	z [mm]	D [mm]	L [mm]
20	1/2	10	721 900 406	10	100	0.019	22	28	37
25	3/4	10	721 900 407	10	100	0.028	25	34	41
32	1	10	721 900 408	10	100	0.041	29	42	48
40	1 1/4	10	721 900 409	10	-	0.065	34	52	56
50	1 1/2	10	721 900 410	-	-	0.103	40	62	61
63	2	10	721 900 411	5	50	0.170	49	77	74

21 91 05

Adaptor Socket-Nipple, PVC-U metric - R



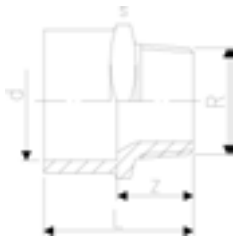
Model:

- With solvent cement spigot/socket reducing metric and taper male thread R
- Connection to plastic thread only
- Do not use thread sealing pastes that are harmful to PVC-U
- Install with low mechanical stress and avoid large cyclic temperature changes

d [mm]	R [inch]	d1 [mm]	PN	Code	SP	GP	kg	z [mm]	z1 [mm]	s [mm]
12	3/8	16	16	721 910 555	10	100	0.011	35	23	27
16	1/2	20	16	721 910 556	10	100	0.019	42	28	32
20	3/4	25	16	721 910 557	10	100	0.025	47	31	36
25	1	32	16	721 910 558	10	100	0.040	54	35	46
32	1 1/4	40	16	721 910 559	10	100	0.062	60	38	55
40	1 1/2	50	16	721 910 560	10	50	0.093	66	40	65
50	2	63	16	721 910 561	5	60	0.165	78	47	80

21 91 07

Adaptor Bushes equal, PVC-U metric - R



Model:

- With solvent cement socket metric and taper male thread R
- Connection to plastic thread only
- Do not use thread sealing pastes that are harmful to PVC-U
- Install with low mechanical stress and avoid large cyclic temperature changes

d [mm]	R [inch]	PN	Code	SP	GP	kg	z [mm]	L [mm]	s [mm]
16	3/8	16	721 910 705	10	100	0.012	20	34	27
20	1/2	16	721 910 706	10	100	0.018	24	40	32
25	3/4	16	721 910 707	10	100	0.024	25	44	36
32	1	16	721 910 708	10	100	0.039	28	50	46
40	1 1/4	16	721 910 709	10	100	0.063	31	57	55
50	1 1/2	16	721 910 710	10	100	0.088	32	63	65
63	2	16	721 910 711	5	50	0.158	38	76	80
75	2 1/2	10	721 910 712	5	-	0.223	42	86	90
90	3	10	721 910 713	5	-	0.355	46	97	110
110	4	10	721 910 714	5	-	0.572	53	114	130

21 91 35

Adaptor Nipples, PVC-U metric - R



Model:

- With solvent cement spigot metric and taper male thread R
- Connection to plastic thread only
- Do not use thread sealing pastes that are harmful to PVC-U
- Install with low mechanical stress and avoid large cyclic temperature changes

d [mm]	R [inch]	PN	Code	SP	GP	kg	z [mm]
16	3/8	10	721 913 505	10	100	0.006	31
20	1/2	10	721 913 506	10	100	0.010	35
25	3/4	10	721 913 507	10	100	0.015	40
32	1	10	721 913 508	10	100	0.029	46

20 91 07

Adaptor Sockets, Brass/PVC-U metric - R

Model:

- Brass with taper male thread R and PVC-U solvent cement socket insert, metric
- Install with low mechanical stress and avoid large cyclic temperature changes

* Article to be discontinued



d [mm]	R [inch]	PN	Code	SP	GP	kg	z [mm]	L [mm]	s [mm]
*16	3/8	16	720 910 705	-	-	0.128	24	40	32
20	1/2	16	720 910 706	-	-	0.159	27	45	36
25	3/4	16	720 910 707	-	-	0.193	28	49	40
32	1	16	720 910 708	-	-	0.305	33	57	48
40	1 1/4	16	720 910 709	-	-	0.306	36	64	58
50	1 1/2	16	720 910 710	-	-	0.680	38	72	70
63	2	16	720 910 711	-	-	0.960	43	84	85

20 91 02

Adaptor Sockets, Brass/PVC-U metric - Rp

Model:

- Brass with parallel female thread Rp and PVC-U solvent cement socket insert, metric
- Install with low mechanical stress and avoid large cyclic temperature changes

* Article to be discontinued



d [mm]	Rp [inch]	PN	Code	SP	GP	kg	z [mm]	L [mm]	s [mm]
*16	3/8	16	720 910 205	-	-	0.132	14	40	32
20	1/2	16	720 910 206	-	-	0.162	14	46	36
25	3/4	16	720 910 207	-	-	0.204	14	50	40
32	1	16	720 910 208	-	-	0.323	16	58	48
40	1 1/4	16	720 910 209	-	-	0.489	17	66	58
50	1 1/2	16	720 910 210	-	-	0.767	19	74	70
63	2	16	720 910 211	-	-	1.102	19	86	83

21 91 62

Manometer Adaptor Sockets, PVC-U metric - G

Model:

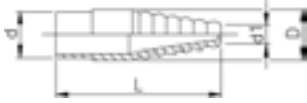
- With solvent cement socket metric and female thread G
- Reinforcing ring stainless (A2)
- Connection to plastic or metal
- Do not use thread sealing pastes that are harmful to PVC-U
- Install with low mechanical stress and avoid large cyclic temperature changes



d [mm]	G [inch]	PN	Code	SP	GP	kg	z [mm]	L [mm]	s [mm]
12	1/4	16	721 916 204	10	100	0.010	4	27	22
16	1/2	16	721 916 206	10	100	0.028	7	36	32

21 96 03

Hose Connectors, PVC-U metric



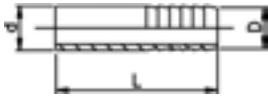
Model:

- With solvent cement spigot metric and tapered hose connection

d [mm]	PN	Code	SP	GP	kg	d1 [mm]	D [mm]	L [mm]	
10	16	721 960 303	10	650	0.004	6	12	51	
12	16	721 960 304	10	650	0.004	6	12	51	
16	16	721 960 305	10	400	0.007	8	16	57	
20	16	721 960 306	10	230	0.016	11	22	73	

21 96 04

Hose Connectors, PVC-U metric



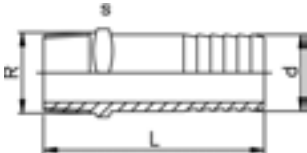
Model:

- With solvent cement spigot metric and parallel hose connection

d [mm]	PN	Code	SP	GP	kg	D [mm]	L [mm]	
10	16	721 960 403	10	750	0.002	8	47	
12	16	721 960 404	10	600	0.004	12	51	
16	16	721 960 405	10	350	0.009	16	57	
20	16	721 960 406	10	100	0.015	20	73	
25	16	721 960 407	10	100	0.021	25	79	
32	16	721 960 408	10	100	0.036	30	89	
40	16	721 960 409	5	50	0.061	40	100	
50	16	721 960 410	5	50	0.111	50	105	
63	16	721 960 411	5	50	0.178	60	120	

21 96 07

Hose Connectors, PVC-U R



Model:

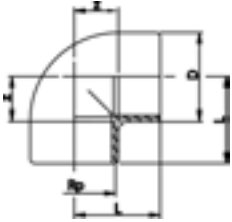
- With taper male thread R
- Connection to plastic thread only
- Do not use thread sealing pastes that are harmful to PVC-U

R [inch]	PN	Code	SP	GP	kg	d [mm]	L [mm]	s [mm]	
¼	10	721 960 704	10	500	0.005	12	59	14	
⅜	10	721 960 705	10	280	0.011	16	67	19	
½	10	721 960 706	10	100	0.020	20	86	22	
¾	10	721 960 707	10	100	0.028	25	92	27	
1	10	721 960 708	5	50	0.048	30	103	36	
1 ¼	10	721 960 709	5	50	0.078	40	115	46	

Threaded Fittings

21 10 16

Elbows 90°, PVC-U Rp



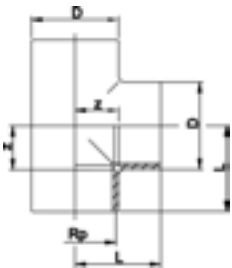
Model:

- With parallel female thread Rp
- Connection to plastic thread only
- Do not use thread sealing pastes that are harmful to PVC-U
- Install with low mechanical stress and avoid large cyclic temperature changes
- * To be discontinued

Rp [inch]	PN	Code	SP	GP	kg	z [mm]	D [mm]	L [mm]
3/8	10	721 101 605	10	100	0.013	9	23	23
1/2	10	721 101 606	10	100	0.018	12	27	27
3/4	10	721 101 607	10	100	0.028	15	33	33
1	10	721 101 608	10	100	0.042	19	39	39
1 1/4	10	721 101 609	10	50	0.069	27	48	49
1 1/2	10	721 101 610	5	50	0.176	35	61	59
2	10	721 101 611	5	-	0.319	44	75	72
*2 1/2	10	721 101 612	24	-	0.450	56	90	84
*3	10	721 101 613	5	-	0.858	68	108	99
*4	10	721 101 614	1	-	1.233	82	132	119

21 20 16

Tees 90° equal, PVC-U Rp

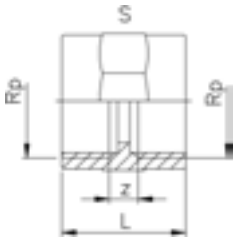


Model:

- With parallel female thread Rp
- Connection to plastic thread only
- Do not use thread sealing pastes that are harmful to PVC-U
- Install with low mechanical stress and avoid large cyclic temperature changes
- * To be discontinued

Rp [inch]	PN	Code	SP	GP	kg	z [mm]	D [mm]	L [mm]
3/8	10	721 201 605	10	100	0.017	9	23	23
1/2	10	721 201 606	10	100	0.027	12	28	27
3/4	10	721 201 607	10	50	0.041	15	33	33
1	10	721 201 608	10	50	0.070	19	41	39
1 1/4	10	721 201 609	10	10	0.117	27	50	49
1 1/2	10	721 201 610	10	-	0.290	36	62	60
2	10	721 201 611	10	-	0.497	44	77	72
*2 1/2	10	721 201 612	8	-	0.642	56	92	84
*3	10	721 201 613	-	-	1.149	68	110	99
*4	10	721 201 614	-	1	1.662	82	133	119

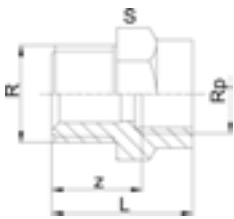
21 91 06

Sockets, PVC-U**Rp****Model:**

- With parallel female thread Rp
- Connection to plastic thread only
- Do not use thread sealing pastes that are harmful to PVC-U
- Install with low mechanical stress and avoid large cyclic temperature changes

Rp [inch]	PN	Code	SP	GP	kg	z [mm]	L [mm]	s [mm]
¼	10	721 910 604	10	300	0.010	7	27	22
⅜	10	721 910 605	10	280	0.015	7	29	27
½	10	721 910 606	10	150	0.025	9	35	32
¾	10	721 910 607	10	100	0.030	9	39	36
1	10	721 910 608	10	80	0.055	11	45	46
1 ¼	10	721 910 609	10	100	0.076	11	49	55
1 ½	10	721 910 610	10	60	0.106	11	49	65
2	10	721 910 611	5	75	0.181	11	57	80

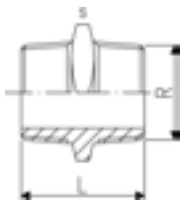
21 91 08

Reducing Bushes, PVC-U**R - Rp****Model:**

- With taper male thread R and parallel female thread Rp
- Connection to plastic thread only
- Do not use thread sealing pastes that are harmful to PVC-U
- Install with low mechanical stress and avoid large cyclic temperature changes

R [inch]	Rp [inch]	PN	Code	SP	GP	kg	z [mm]	L [mm]	s [mm]
½	⅜	10	721 910 834	10	100	0.015	25	36	27
¾	½	10	721 910 837	10	100	0.021	25	39	32
1	½	10	721 910 842	10	100	0.028	31	45	32
1	¾	10	721 910 841	10	100	0.030	29	45	36
1 ¼	1	10	721 910 846	10	100	0.051	32	50	46
1 ½	1 ¼	10	721 910 852	10	50	0.071	35	55	55
2	1 ½	10	721 910 858	5	50	0.126	45	65	65

21 91 19

Hexagon Nipples, PVC-U**R****Model:**

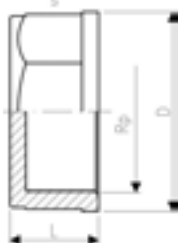
- With taper male thread R
- Connection to plastic thread only
- Do not use thread sealing pastes that are harmful to PVC-U
- Install with low mechanical stress and avoid large cyclic temperature changes

R [inch]	PN	Code	SP	GP	kg	L [mm]	s [mm]
⅜	10	721 911 905	10	100	0.007	37	19
½	10	721 911 906	10	100	0.012	45	22
¾	10	721 911 907	10	100	0.019	49	27
1	10	721 911 908	10	50	0.035	57	36
1 ¼	10	721 911 909	10	50	0.053	62	46
1 ½	10	721 911 910	10	50	0.071	67	50
2	10	721 911 911	5	50	0.124	76	65

21 96 06

Caps, PVC-U**Rp****Model:**

- With parallel female thread Rp
- Connection to plastic thread only
- Do not use thread sealing pastes that are harmful to PVC-U
- Install with low mechanical stress and avoid large cyclic temperature changes

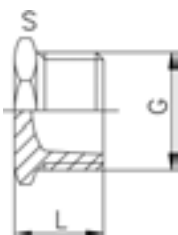


Rp [inch]	PN	Code	SP	GP	kg	D [mm]	L [mm]	s [mm]
1/8	10	721 960 603	10	-	0.013	20	14	17
1/4	10	721 960 604	10	-	0.024	25	16	22
3/8	10	721 960 605	10	100	0.012	31	19	27
1/2	10	721 960 606	10	100	0.018	37	21	32
3/4	10	721 960 607	10	100	0.024	42	24	36
1	10	721 960 608	10	100	0.040	50	26	46
1 1/4	10	721 960 609	10	100	0.060	60	29	55
1 1/2	10	721 960 610	10	100	0.073	65	31	60
2	10	721 960 611	5	50	0.128	81	36	75

21 96 09

Plugs, PVC-U**G****Model:**

- With parallel male thread G
- Connection to plastic thread only
- Flat gasket necessary for sealing
- Do not use thread sealing pastes that are harmful to PVC-U
- Install with low mechanical stress and avoid large cyclic temperature changes

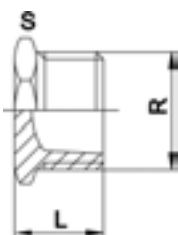


G [inch]	PN	Code	SP	GP	kg	L [mm]	s [mm]
3/8	10	721 960 905	10	450	0.006	21	22
1/2	10	721 960 906	10	320	0.010	25	27
3/4	10	721 960 907	10	100	0.019	29	36
1	10	721 960 908	10	100	0.030	32	41
1 1/4	10	721 960 909	10	100	0.048	36	50
1 1/2	10	721 960 910	10	100	0.069	37	60
2	10	721 960 911	5	50	0.120	42	75

21 96 19

Plugs, PVC-U**R****Model:**

- With taper male thread R
- Connection to plastic thread only
- Do not use thread sealing pastes that are harmful to PVC-U
- Install with low mechanical stress and avoid large cyclic temperature changes

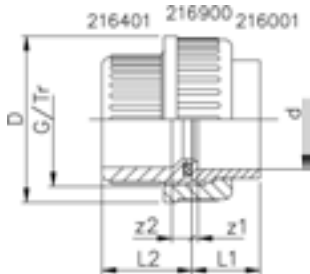


R [inch]	PN	Code	SP	GP	kg	L [mm]	s [mm]
3/8	10	721 961 905	10	450	0.006	21	22
1/2	10	721 961 906	10	320	0.010	25	27
3/4	10	721 961 907	10	100	0.019	29	36
1	10	721 961 908	10	100	0.030	32	41
1 1/4	10	721 961 909	10	100	0.048	36	50
1 1/2	10	721 961 910	10	100	0.070	37	60
2	10	721 961 911	5	50	0.117	42	75

Unions

21 51 01

Unions for solvent cement jointing, PVC-U metric



Model:

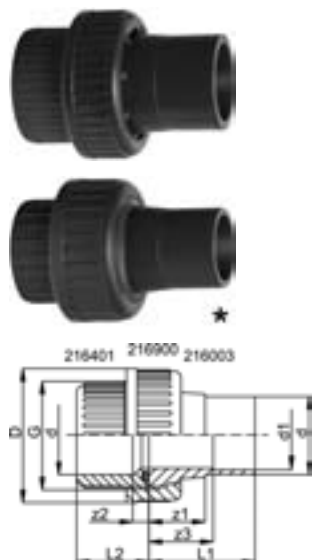
- Union End: solvent socket metric
- Union Bush: Solvent socket metric
- Jointing face: with O-ring groove
- Gasket: O-Ring EPDM No. 48 41 00, FPM No. 49 41 00

d [mm]	PN	EPDM Code	FPM Code	SP	GP	kg	
10	16	721 510 103	721 510 128	10	100	0.020	
12	16	721 510 104	721 510 129	10	100	0.019	
16	16	721 510 105	721 510 130	10	100	0.025	
20	16	721 510 106	721 510 131	10	80	0.040	
25	16	721 510 107	721 510 132	10	100	0.066	
32	16	721 510 108	721 510 133	10	60	0.090	
40	16	721 510 109	721 510 134	10	30	0.153	
50	16	721 510 110	721 510 135	2	60	0.204	
63	16	721 510 111	721 510 136	10	-	0.367	
75	10	721 510 112	721 510 137	2	-	0.615	
90	10	721 510 113	721 510 138	2	-	0.925	
110	10	721 510 114	721 510 139	1	-	1.425	

d [mm]	z1 [mm]	z2 [mm]	D [mm]	L1 [mm]	L2 [mm]	G/Tr	
10	3	10	31	15	22	5/8	
12	3	10	31	15	22	5/8	
16	3	10	35	17	24	3/4	
20	3	10	43	19	26	1	
25	3	10	51	22	29	1 1/4	
32	3	10	58	25	32	1 1/2	
40	3	12	72	29	38	2	
50	3	14	83	34	45	2 1/4	
63	3	18	100	41	56	2 3/4	
75	3	18	135	47	62	Tr108x5	
90	5	18	158	56	69	Tr128x5	
110	5	11	188	66	72	Tr154x6	

21 51 03

PRO-FIT Unions for solvent cement jointing, PVC-U metric



Model:

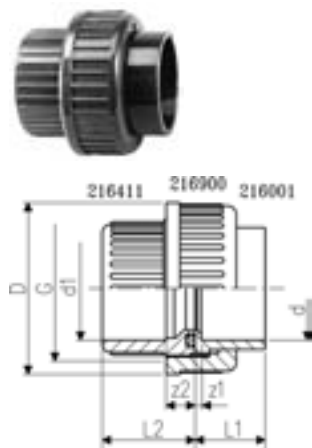
- Union End: Solvent cemented spigot in combination with reducing socket metric
- Union Bush: Solvent socket metric
- Gasket: O-Ring EPDM No. 48 41 00, FPM No. 49 41 00

d [mm]	d1 [mm]	PN	EPDM Code	FPM Code	SP	GP	kg
*16	12	16	721 510 305	721 510 330	10	-	0.029
*20	16	16	721 510 306	721 510 331	10	-	0.044
*25	20	16	721 510 307	721 510 332	10	-	0.073
*32	25	16	721 510 308	721 510 333	10	-	0.105
40	32	16	721 510 309	721 510 334	10	-	0.171
50	40	16	721 510 310	721 510 335	10	-	0.250
63	50	16	721 510 311	721 510 336	10	-	0.449

d [mm]	z1 [mm]	z2 [mm]	z3 [mm]	D [mm]	L1 [mm]	L2 [mm]	G [inch]
*16	22	10	24	35	36	24	¾
*20	24	10	26	43	40	26	1
*25	25	10	28	51	44	29	1 ¼
*32	27	10	30	58	49	32	1 ½
40	31	12	35	74	57	38	2
50	35	14	40	83	66	45	2 ¼
63	39	18	46	100	77	56	2 ¾

21 51 31

Unions for solvent cement jointing, PVC-U metric - BS



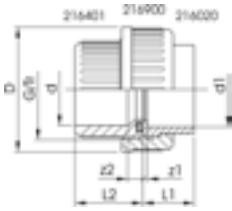
Model:

- Union End: Solvent cement socket metric
- Union Bush: Solvent cement socket BS
- Gasket: O-ring EPDM No. 48 41 00
- Can be supplied with FPM O-Ring No. 49 41 00

d [mm]	d1 [inch]	PN	Code	SP	GP	kg	z1 [mm]	z2 [mm]	D [mm]	L1 [mm]	L2 [mm]	G [inch]
16	¾	16	721 513 105	100	-	0.025	3	8	35	17	24	¾
20	½	16	721 513 106	10	100	0.040	3	9	43	19	26	1
25	¾	16	721 513 107	50	-	0.065	3	9	51	22	29	1 ¼
32	1	16	721 513 108	35	-	0.090	3	9	58	25	32	1 ½
40	1 ¼	16	721 513 109	20	-	0.155	3	10	72	29	38	2
50	1 ½	16	721 513 110	15	-	0.200	3	10	83	34	40	2 ¼
63	2	16	721 513 111	10	-	0.355	3	10	100	41	46	2 ¾

21 51 41

Unions for solvent cement jointing, PVC-U metric - ASTM



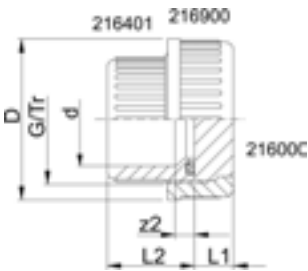
Model:

- Union End: Solvent cement socket ASTM
- Union Bush: Solvent socket metric
- Gasket: O-ring EPDM No. 48 41 00
- Can be supplied with FPM O-Ring No. 49 41 00

d [mm]	d1 [inch]	PN	Code	kg	z1 [mm]	z2 [mm]	D [mm]	L1 [mm]	L2 [mm]	G [inch]
16	3/8	16	721 514 105	0.022	3	10	35	22	24	3/4
20	1/2	16	721 514 106	0.047	3	10	43	25	26	1
25	3/4	16	721 514 107	0.065	3	10	51	28	29	1 1/4
32	1	16	721 514 108	0.103	3	10	58	32	32	1 1/2
40	1 1/4	16	721 514 109	0.174	3	12	72	35	38	2
50	1 1/2	16	721 514 110	0.239	3	14	83	38	45	2 1/4
63	2	16	721 514 111	0.435	3	18	100	41	56	2 3/4

21 51 00

Unions with Union Ends Blank, PVC-U metric



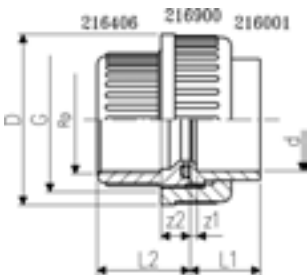
Model:

- Union Bush: Solvent socket metric
- Jointing face: with O-ring groove

d [mm]	PN	EPDM Code	FPM Code	SP	GP	kg	z2 [mm]	D [mm]	L1 [mm]	L2 [mm]	G/Tr
10	16	721 510 003	721 510 028	10	100	0.020	9	31	10	22	5/8
12	16	721 510 004	721 510 029	10	100	0.020	9	31	15	22	5/8
16	16	721 510 005	721 510 030	10	100	0.026	10	35	10	24	3/4
20	16	721 510 006	721 510 031	10	80	0.041	10	43	11	26	1
25	16	721 510 007	721 510 032	10	100	0.068	10	51	11	29	1 1/4
32	16	721 510 008	721 510 033	10	60	0.095	10	58	12	32	1 1/2
40	16	721 510 009	721 510 034	10	30	0.159	12	72	13	38	2
50	16	721 510 010	721 510 035	5	50	0.227	14	83	16	45	2 1/4
63	16	721 510 011	721 510 036	10	-	0.405	18	100	18	56	2 3/4
75	10	721 510 012	721 510 037	2	-	0.693	18	135	22	62	Tr108x5
90	10	721 510 013	721 510 038	2	-	1.022	18	158	24	69	Tr128x5
110	10	721 510 014	721 510 039	1	-	1.573	11	188	26	72	Tr154x6

21 51 02

Adaptor Unions, PVC-U metric - Rp



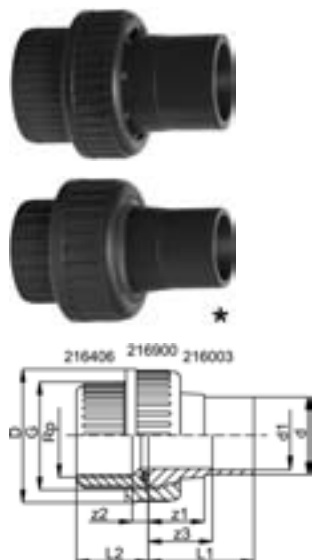
Model:

- Union End: Solvent cement socket metric
- Union Bush: Parallel female thread Rp
- Gasket: O-Ring No. 48 41 00
- Can be supplied with FPM O-Ring No. 49 41 00
- Connection to plastic thread only
- Do not use thread sealing pastes that are harmful to PVC-U

d [mm]	Rp [inch]	PN	Code	SP	GP	kg	z1 [mm]	z2 [mm]	D [mm]	L1 [mm]	L2 [mm]	G [inch]
12	1/4	10	721 510 204	10	220	0.021	3	12	31	15	22	5/8
16	3/8	10	721 510 205	10	140	0.028	3	13	35	17	24	3/4
20	1/2	10	721 510 206	10	80	0.042	3	13	43	19	26	1
25	3/4	10	721 510 207	10	100	0.072	3	14	51	22	29	1 1/4
32	1	10	721 510 208	10	60	0.101	3	15	58	25	32	1 1/2
40	1 1/4	10	721 510 209	10	30	0.174	3	19	72	29	38	2
50	1 1/2	10	721 510 210	2	60	0.255	3	26	83	34	45	2 1/4
63	2	10	721 510 211	2	32	0.414	3	33	100	41	56	2 3/4

21 51 04

PRO-FIT Adaptor Unions, PVC-U metric - Rp



Model:

- Union End: Solvent cemented spigot in combination with reducing socket metric
- Union Bush: Threaded socket with parallel female thread Rp
- Gasket: O-Ring EPDM No. 48 41 00, FPM No. 49 41 00
- Can be supplied with FPM O-Ring No. 49 41 00
- Connection to plastic thread only
- Do not use thread sealing pastes that are harmful to PVC-U

d [mm]	d1 [mm]	Rp [inch]	PN	EPDM Code	SP	GP	kg
*16	12	3/8	10	721 510 405	10	-	0.032
*20	16	1/2	10	721 510 406	10	-	0.046
*25	20	3/4	10	721 510 407	10	-	0.079
*32	25	1	10	721 510 408	10	-	0.116
40	32	1 1/4	10	721 510 409	10	-	0.192
50	40	1 1/2	10	721 510 410	10	-	0.301
63	50	2	10	721 510 411	2	32	0.496

d [mm]	z1 [mm]	z2 [mm]	z3 [mm]	D [mm]	L1 [mm]	L2 [mm]	G [inch]
*16	22	13	24	35	36	24	3/4
*20	24	13	26	43	40	26	1
*25	25	14	28	51	44	29	1 1/4
*32	27	15	30	58	49	32	1 1/2
40	31	19	35	74	57	38	2
50	35	26	40	83	66	45	2 1/4
63	39	33	46	100	77	56	2 3/4

21 51 42

Adaptor Unions, PVC-U metric - NPT



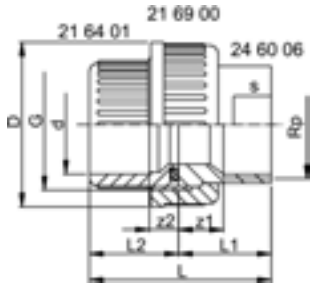
Model:

- Union End: Taper female thread NPT (ASTM)
- Union Bush: Solvent socket metric
- Gasket: O-ring EPDM No. 48 41 00
- Can be supplied with FPM O-Ring No. 49 41 00
- Connection to plastic thread only
- Do not use thread sealing pastes that are harmful to PVC-U

d [mm]	NPT [inch]	PN	Code	kg	z1 [mm]	z2 [mm]	D [mm]	L1 [mm]	L2 [mm]	G [inch]
16	3/8	10	721 514 205	0.026	4	10	35	17	24	3/4
20	1/2	10	721 514 206	0.042	2	10	43	19	26	1
25	3/4	10	721 514 207	0.068	4	10	51	22	29	1 1/4
32	1	10	721 514 208	0.093	4	10	58	25	32	1 1/2
40	1 1/4	10	721 514 209	0.163	6	12	72	29	38	2
50	1 1/2	10	721 514 210	0.221	11	14	83	34	40	2 1/4
63	2	10	721 514 211	0.395	17	18	100	41	46	2 3/4

21 54 02

Adaptor Unions, PVC-U / Stainless Steel metric - Rp



Model:

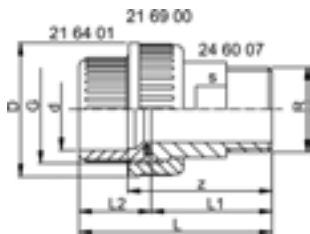
- Union End: Stainless steel 1.4404 (316L), parallel female thread Rp
- Union Bush: Solvent cement socket PVC-U metric
- Union nut: PVC-U
- Gasket: O-Ring EPDM No. 48 41 00, FPM No. 49 41 00

d [mm]	Rp [inch]	PN	EPDM Code	FPM Code	SP	kg
16	3/8	16	721 540 205	721 540 230	-	0.053
20	1/2	16	721 540 206	721 540 231	-	0.096
25	3/4	16	721 540 207	721 540 232	-	0.154
32	1	16	721 540 208	721 540 233	-	0.212
40	1 1/4	16	721 540 209	721 540 234	-	0.356
50	1 1/2	16	721 540 210	721 540 235	-	0.455
63	2	16	721 540 211	721 540 236	-	0.721

d [mm]	z1 [mm]	z2 [mm]	D [mm]	L [mm]	L1 [mm]	L2 [mm]	G [inch]	s [mm]
16	9	10	35	43	19	24	3/4	19
20	11	10	43	50	24	26	1	24
25	11	10	51	55	26	29	1 1/4	29
32	12	10	58	61	29	32	1 1/2	36
40	14	12	72	71	33	38	2	45
50	15	14	83	79	34	45	2 1/4	54
63	15	18	100	95	39	56	2 3/4	63

21 54 07

Adaptor Unions, PVC-U / Stainless Steel metric - R



Model:

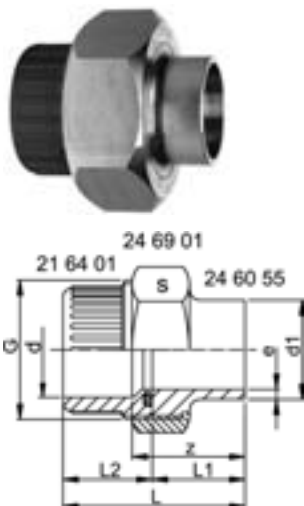
- Union End: Stainless steel 1.4404 (316L), taper male thread R
- Union Bush: Solvent cement socket PVC-U metric
- Union nut: PVC-U
- Gasket: O-Ring EPDM No. 48 41 00, FPM No. 49 41 00

d [mm]	R [inch]	PN	EPDM Code	FPM Code	SP	kg
16	3/8	16	721 540 705	721 540 730	-	0.073
20	1/2	16	721 540 706	721 540 731	-	0.126
25	3/4	16	721 540 707	721 540 732	-	0.174
32	1	16	721 540 708	721 540 733	-	0.262
40	1 1/4	16	721 540 709	721 540 734	-	0.476
50	1 1/2	16	721 540 710	721 540 735	-	0.535
63	2	16	721 540 711	721 540 736	-	0.931

d [mm]	z [mm]	D [mm]	L [mm]	L1 [mm]	L2 [mm]	G [inch]	s [mm]
16	40	35	54	30	24	3/4	19
20	44	43	60	34	26	1	24
25	46	51	65	36	29	1 1/4	32
32	50	58	72	40	32	1 1/2	37
40	58	72	84	46	38	2	48
50	62	83	93	48	45	2 1/4	54
63	73	100	111	55	56	2 3/4	69

21 54 55

Adaptor Unions, PVC-U / Stainless Steel metric - Welding End



Model:

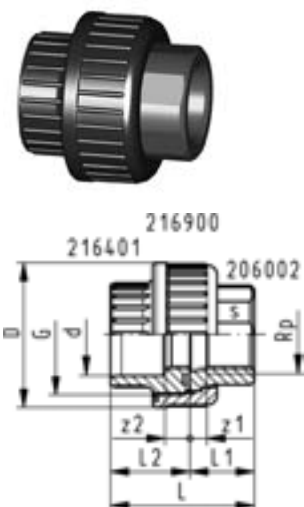
- Union End: Stainless steel 1.4404 (316L) with welding end
- Union Bush: Solvent cement socket PVC-U metric
- Union Nut: stainless steel WN 1.4404 (316L)
- Gasket: O-Ring EPDM No. 48 41 00, FPM No. 49 41 00

d [mm]	d1 [mm]	PN	EPDM Code	FPM Code	SP	GP	kg
16	17	16	721 545 505	721 545 530	-	-	0.101
20	21	16	721 545 506	721 545 531	-	-	0.176
25	27	16	721 545 507	721 545 532	-	-	0.204
32	34	16	721 545 508	721 545 533	-	-	0.313
40	42	16	721 545 509	721 545 534	-	-	0.493
50	48	16	721 545 510	721 545 535	-	-	0.566
63	60	16	721 545 511	721 545 536	-	-	0.902

d [mm]	z [mm]	L [mm]	L1 [mm]	L2 [mm]	e [mm]	G [inch]	s [mm]
16	28	42	18	24	1.6	3/4	32
20	32	48	22	26	2.0	1	41
25	33	52	23	29	2.0	1 1/4	46
32	36	58	26	32	2.0	1 1/2	55
40	38	64	26	38	2.0	2	68
50	42	73	28	45	2.0	2 1/4	74
63	50	88	32	56	2.6	2 3/4	88

21 55 04

Adaptor Unions PVC-U / Brass, metric - Rp



Model:

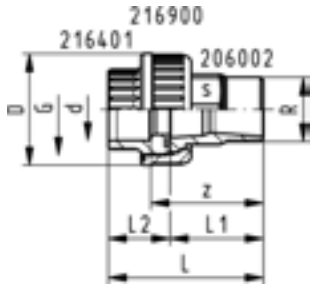
- Union nut: PVC-U
- Union Bush: Solvent cement socket PVC-U metric
- Union End: brass with parallel female thread Rp
- Gasket: O-Ring EPDM No. 48 41 00

d [mm]	Rp [inch]	PN	Code	SP	GP	kg
20	1/2	16	721 550 406	10	100	0.086
25	3/4	16	721 550 407	5	60	0.123
32	1	16	721 550 408	-	-	0.184
40	1 1/4	16	721 550 409	2	22	0.336
50	1 1/2	16	721 550 410	2	18	0.414
63	2	16	721 550 411	2	12	0.702
75	2 1/2	16	721 550 412	-	-	1.147
90	3	16	721 550 413	2	-	1.703

d [mm]	D [mm]	L [mm]	L1 [mm]	L2 [mm]	z1 [mm]	z2 [mm]	G [inch]	s [mm]
20	43	48	22	26	10	10	1	25
25	51	51	22	29	6	10	1 1/4	31
32	58	59	27	32	8	10	1 1/2	38
40	72	69	31	38	10	12	2	48
50	83	75	30	45	9	14	2 1/4	54
63	100	90	34	56	8	18	2 3/4	67
75	127	100	38	62	8	18	Tr 108x5	83
90	150	109	40	69	7	19	Tr 128x5	96

21 55 08

Adaptor Unions, PVC-U / Brass metric - R



Model:

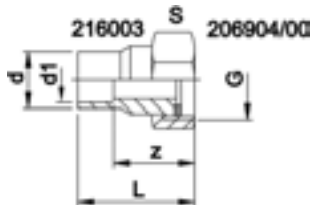
- Union nut: PVC-U
- Union Bush: Solvent cement socket PVC-U metric
- Union End: brass with taper male thread R
- Gasket: O-Ring EPDM No. 48 41 00

d [mm]	R [inch]	PN	Code	SP	GP	kg
20	1/2	16	721 550 806	10	60	0.125
25	3/4	16	721 550 807	5	40	0.178
32	1	16	721 550 808	-	-	0.270
40	1 1/4	16	721 550 809	2	20	0.468
50	1 1/2	16	721 550 810	2	14	0.597
63	2	16	721 550 811	5	-	0.972
75	2 1/2	16	721 550 812	-	-	1.359
90	3	16	721 550 813	2	-	2.266

d [mm]	D [mm]	L [mm]	L1 [mm]	L2 [mm]	z [mm]	G [inch]	s [mm]
20	43	63	37	26	47	1	25
25	51	69	40	29	50	1 1/4	31
32	58	75	43	32	53	1 1/2	38
40	72	86	48	38	60	2	48
50	83	95	50	45	64	2 1/4	54
63	100	113	57	56	75	2 3/4	67
75	127	132	70	62	88	Tr 108x5	83
90	150	141	72	69	91	Tr 128x5	96

21 55 03

Tap Connectors, PVC-U / Brass metric - G

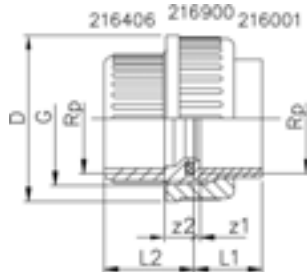


Model:

- Union End: PVC-U, solvent cement socket / spigot metric
- Union Nut: brass with female thread G
- Gasket: flat gasket EPDM No. 48 40 02

d [mm]	d1 [mm]	G [inch]	PN	Code	SP	GP	kg	z [mm]	L [mm]	s [mm]
16	12	1/2	16	721 550 305	10	280	0.031	22	34	24
20	16	3/4	16	721 550 306	10	160	0.049	24	38	30
25	20	1	16	721 550 307	10	80	0.079	27	43	38

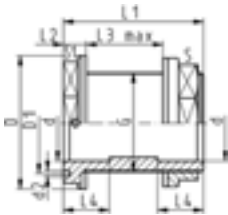
Thread Unions, PVC-U Rp-Rp



Model:

- Union End: Parallel female thread Rp
- Union Bush: Parallel female thread Rp
- Union nut: PVC-U
- Gasket: O-Ring EPDM No. 48 41 00
- Can be supplied with FPM O-Ring No. 49 41 00
- Connection to plastic thread only
- Do not use thread sealing pastes that are harmful to PVC-U

Rp [inch]	PN	Code	SP	GP	kg	z1 [mm]	z2 [mm]	D [mm]	L1 [mm]	L2 [mm]	G [inch]
¼	10	721 510 604	10	220	0.019	3	12	31	22	15	¼
⅜	10	721 510 605	10	140	0.027	3	13	35	24	17	⅜
½	10	721 510 606	10	80	0.042	3	13	43	26	19	1
¾	10	721 510 607	10	110	0.065	3	14	51	29	22	1 ¼
1	10	721 510 608	10	60	0.093	3	15	58	32	25	1 ½
1 ¼	10	721 510 609	10	30	0.160	3	19	72	38	29	2
1 ½	10	721 510 610	2	60	0.243	3	26	83	45	34	2 ¼
2	10	721 510 611	2	32	0.446	3	33	100	56	41	2 ¾



Tank Adaptors Type 050 Compact, PVC-U metric

Model:

- End connection: solvent cement socket, metric
- Gasket: flat gasket EPDM
- Washer: PP
- Run-out holes: Two holes in octagonal head

d [mm]	PN	EPDM Code	SP	GP	kg
16	16	161 050 445	-	-	0.041
20	16	161 050 446	-	-	0.066
25	16	161 050 447	-	-	0.109
32	16	161 050 448	-	-	0.153
40	16	161 050 449	-	-	0.225
50	16	161 050 450	-	-	0.260
63	16	161 050 451	-	-	0.390

d [mm]	d2 [mm]	D [mm]	D1 [mm]	L1 [mm]	L2 [mm]	L3 max [mm]	L4 [mm]	G [inch]	S [mm]	S1 [mm]	Diameter of bore in tank side [mm]
16	5	44	29	58	11	28	14	¾	32	40	28
20	5	54	35	61	12	28	16	1	40	50	35
25	5	60	42	65	13	28	19	1 ¼	50	55	43
32	5	69	49	67	13	28	22	1 ½	56	65	49
40	5	84	59	72	13	29	26	2	69	80	61
50	5	92	70	76	15	30	31	2 ¼	76	85	67
63	5	108	82	84	15	35	38	2 ¾	95	100	83



Tank Adaptors Type 050, PVC-U Union End with Spigot reducing socket, metric

Model:

- End connection: union with union end spigot/reducing socket, metric
- Gasket: flat gasket EPDM
- Washer: PP
- Run-out holes: Two holes in octagonal head



d [mm]	d1 [mm]	PN	EPDM Code	SP	GP	kg
16	12	16	161 050 345	-	-	0.064
20	16	16	161 050 346	-	-	0.102
25	20	16	161 050 347	-	-	0.157
32	25	16	161 050 348	-	-	0.220
40	32	16	161 050 349	-	-	0.333
50	40	16	161 050 350	-	-	0.438
63	50	16	161 050 351	-	-	0.680

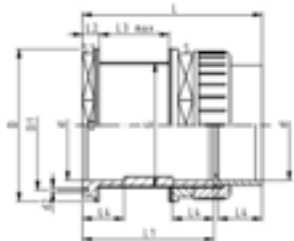
d [mm]	d2 [mm]	D [mm]	D1 [mm]	L [mm]	L1 [mm]	L2 [mm]	L3 max [mm]	L4 [mm]	L5 [mm]	G [inch]	S [mm]	S1 [mm]	Diameter of bore in tank side [mm]
16	5	44	29	96	58	11	19	14	12	¾	32	40	28
20	5	54	35	104	61	12	17	16	14	1	40	50	35
25	5	60	42	112	65	13	18	19	16	1 ¼	50	55	43
32	5	69	49	119	67	13	19	22	19	1 ½	56	65	49
40	5	84	59	132	72	13	16	26	22	2	69	80	61
50	5	92	70	145	76	15	16	31	26	2 ¼	76	85	67
63	5	108	82	163	84	15	19	38	31	2 ¾	95	100	83



Tank Adaptor Type 050, PVC-U Union End with socket, metric

Model:

- End connection: union with solvent cement socket, metric
- Gasket: flat gasket EPDM
- Washer: PP
- Run-out holes: Two holes in octagonal head



d [mm]	PN	Code	SP	GP	kg
16	16	161 050 245	-	-	0.040
20	16	161 050 246	-	-	0.070
25	16	161 050 247	-	-	0.100
32	16	161 050 248	-	-	0.196
40	16	161 050 249	-	-	0.240
50	16	161 050 250	-	-	0.350
63	16	161 050 251	-	-	0.530

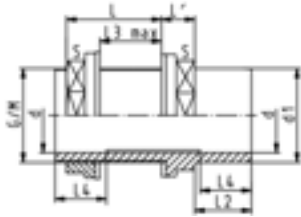
d [mm]	d2 [mm]	D [mm]	D1 [mm]	L [mm]	L1 [mm]	L2 [mm]	L3 max [mm]	L4 [mm]	G [inch]	S [mm]	S1 [mm]	Diameter of bore in tank side [mm]
16	5	44	29	77	58	11	19	14	¾	32	40	28
20	5	54	35	83	61	12	17	16	1	40	50	35
25	5	60	42	90	65	13	18	19	1 ¼	50	55	43
32	5	69	49	95	67	13	19	22	1 ½	56	65	49
40	5	84	59	104	72	13	16	26	2	69	80	61
50	5	92	70	113	76	15	16	31	2 ¼	76	85	67
63	5	108	82	128	84	15	19	38	2 ¾	95	100	83



Tank Adaptor Type 050, PVC-U metric

Model:

- End connection: solvent cement socket and spigot, metric
- Gasket: flat gasket EPDM
- Washer: PP



d [mm]	d1 [mm]	Code	SP	GP	kg
20	25	161 050 206	-	-	0.040
25	32	161 050 207	-	-	0.070
32	40	161 050 208	-	-	0.100
40	50	161 050 209	-	-	0.190
50	63	161 050 210	-	-	0.240
63	75	161 050 211	-	-	0.350
75	90	161 050 212	-	-	0.530
90	110	161 050 213	-	-	1.050
110	125	161 050 214	-	-	1.350

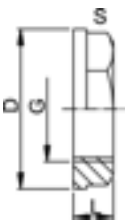
d [mm]	L [mm]	L1 [mm]	L2 [mm]	L3 max [mm]	L4 [mm]	G [inch]	M	s [mm]	Diameter of bore in tank side [mm]
20	42	13	19	23	16	¾		32	28
25	45	15	22	23	19	1		40	35
32	27	17	26	24	22	1 ¼		50	43
40	48	19	31	21	26	1 ¾		60	55
50	52	21	38	21	31	2		69	61
63	53	23	44	23	38	2 ½		85	77
75	56	26	51	20	44	3		100	89
90	62	32	61	20	51		M113	125	115
110	66	36	69	22	61		M133	147	135

61 49 06

Backing Nut, PVC-U

Model:

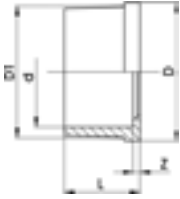
- With G thread ISO 228/1
- For Tank Adaptor Type 050



G [inch]	Code	SP	GP	kg	D [mm]	L [mm]	s [mm]
¾	161 490 630	400	-	0.007	39	13	32
1	161 490 632	200	-	0.012	48	15	40
1 ¼	161 490 634	100	-	0.020	58	17	50
1 ½	161 490 635	100	-	0.025	65	18	56
1 ¾	161 490 636	75	-	0.036	72	19	64
2	161 490 637	50	-	0.044	79	21	69
2 ¼	161 490 638	50	-	0.053	86	21	76
2 ½	161 490 639	25	-	0.063	94	23	85
2 ¾	161 490 640	-	-	0.080	106	25	95
3	161 490 641	20	-	0.101	112	26	100
4	161 490 644	10	-	0.164	139	32	126

21 60 01

Union Ends, PVC-U metric



Model:

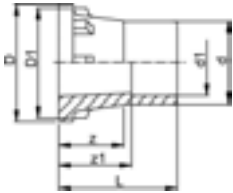
- Solvent cement socket metric
- Suitable for unions, tank connectors and diaphragm valves Type 314

* for Adaptor Unions 21 53 02, 21 53 07, 21 55 02, 21 55 07 old version

d [mm]	PN	Code	SP	GP	kg	z [mm]	D [mm]	D1 [mm]	L [mm]
10	16	721 600 103	-	-	0.004	3	20	18	15
12	16	721 600 104	-	-	0.004	3	20	18	15
16	16	721 600 105	-	-	0.006	3	24	22	17
20	16	721 600 106	-	-	0.009	3	30	28	19
25	16	721 600 107	-	-	0.015	3	39	36	22
32	16	721 600 108	-	-	0.020	3	45	42	25
40	16	721 600 109	-	-	0.038	3	57	53	29
50	16	721 600 110	-	-	0.039	3	63	59	34
63	16	721 600 111	-	-	0.072	3	78	74	41
75	10	721 600 162	-	-	0.140	3	101	90	47
90	10	721 600 163	-	-	0.242	5	121	108	56
110	10	721 600 164	-	-	0.390	5	146	131	66
*75	10	721 600 112	110	-	0.155	3	97	90	47
*90	10	721 600 113	-	-	0.184	5	110	105	56

21 60 04

Union Ends with Spigot, PVC-U metric



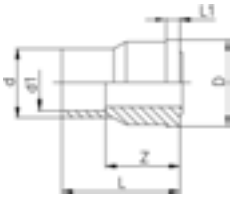
Model:

- Cemented spigot in combination with reducing socket metric
- Suitable for unions, tank connectors and diaphragm valves Type 314

d [mm]	d1 [mm]	PN	Code	SP	GP	kg	z [mm]	z1 [mm]	D [mm]	D1 [mm]	L [mm]
*16	12	16	721 600 405	1800	-	0.010	22	24	24	22	36
*20	16	16	721 600 406	2100	-	0.013	24	26	30	28	40
*25	20	16	721 600 407	1200	-	0.022	25	28	39	36	44
*32	25	16	721 600 408	740	-	0.035	27	30	45	42	49
40	32	16	721 600 409	260	-	0.057	31	35	57	53	57
50	40	16	721 600 410	190	-	0.086	35	40	63	59	66
63	50	16	721 600 411	110	-	0.153	39	46	79	74	77

21 60 03

Union Ends, PVC-U metric



Model:

- For tap connector No. 21 55 03

d [mm]	d1 [mm]	PN	Code	SP	GP	kg	z [mm]	D [mm]	L [mm]	L1 [mm]
16	12	16	721 600 305	-	-	0.005	22	19	34	3
20	16	16	721 600 306	-	-	0.009	24	24	38	5
25	20	16	721 600 307	-	-	0.016	27	30	43	5

21 60 20

Union Ends, PVC-U ASTM



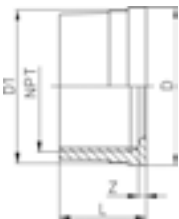
Model:

- Solvent cement socket ASTM

PN	Code	SP	GP	kg	z [mm]	D [mm]	D1 [mm]	L [mm]
16	721 602 005	-	-	0.006	3	24	22	22
16	721 602 006	-	-	0.009	3	30	28	25
16	721 602 007	-	-	0.016	3	39	36	28
16	721 602 008	-	-	0.022	3	45	42	32
16	721 602 009	-	-	0.037	3	57	53	35
16	721 602 010	-	-	0.052	3	63	59	38
16	721 602 011	-	-	0.088	3	78	74	41
10	721 602 012	-	-	0.140	3	101	90	47
10	721 602 013	-	-	0.255	5	121	108	56
10	721 602 014	-	-	0.390	5	146	131	66

21 60 26

Union Ends, PVC-U NPT (ASTM)



Model:

- Taper female thread NPT (ASTM)

NPT [inch]	PN	Code	SP	GP	kg	z [mm]	D [mm]	D1 [mm]	L [mm]
3/8	10	721 602 655	-	-	0.005	4	24	22	17
1/2	10	721 602 656	-	-	0.008	2	30	28	19
3/4	10	721 602 657	-	-	0.016	4	39	36	22
1	10	721 602 658	-	-	0.022	3	45	42	25
1 1/4	10	721 602 659	-	-	0.040	6	57	53	29
1 1/2	10	721 602 660	-	-	0.058	11	63	59	34
2	10	721 602 661	-	-	0.128	17	78	74	41

21 60 11

Union Ends, PVC-U BS Inch

Model:

- Solvent cement socket BS



PN	Code	SP	GP	kg	z	D	D1	L	
					[mm]	[mm]	[mm]	[mm]	
15	721 601 105	-	-	0.005	3	24	22	19	
15	721 601 106	-	-	0.008	3	30	27	21	
15	721 601 107	-	-	0.014	3	38	36	24	
15	721 601 108	-	-	0.019	3	44	41	27	
15	721 601 109	1	-	0.033	3	56	53	32	
15	721 601 110	-	-	0.043	3	62	59	33	
15	721 601 111	-	-	0.082	3	78	74	40	

21 60 06

Union Ends, PVC-U Rp

Model:

- Parallel female thread Rp



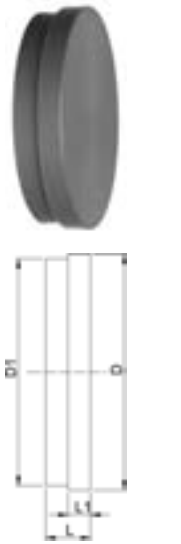
Rp	PN	Code	SP	GP	kg	z	D	D1	L	
[inch]						[mm]	[mm]	[mm]	[mm]	
¼	10	721 600 654	-	-	0.004	5	20	18	15	
⅜	10	721 600 655	-	-	0.005	6	24	22	17	
½	10	721 600 656	1430	-	0.010	6	30	28	19	
¾	10	721 600 657	-	-	0.013	7	39	36	22	
1	10	721 600 658	-	-	0.021	8	45	42	25	
1 ¼	10	721 600 659	-	-	0.038	10	57	53	29	
1 ½	10	721 600 660	-	-	0.045	11	63	59	34	
2	10	721 600 661	-	-	0.110	18	78	74	41	

21 60 00

Union Ends Blank, PVC-U

Model:

- For Unions, Tank Adaptor, Ball Valve Type 370 and Diaphragm Valve Type 314
- Jointing face flat

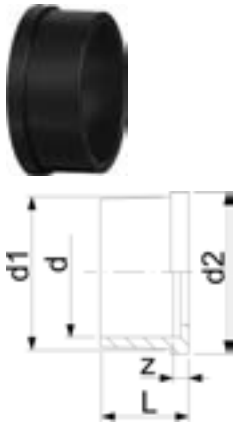


d	DN	Inch	PN	Code	SP	GP	kg	D	D1	L	L1	
[mm]	[mm]							[mm]	[mm]	[mm]	[mm]	
10	6	1/8	16	721 600 004	-	-	0.004	20	18	9	4	
16	10	3/8	16	721 600 005	-	-	0.006	24	22	10	5	
20	15	1/2	16	721 600 006	-	-	0.010	30	28	11	5	
25	20	3/4	16	721 600 007	-	-	0.017	39	36	11	6	
32	25	1	16	721 600 008	-	-	0.025	45	42	12	6	
40	32	1 1/4	16	721 600 009	-	-	0.043	57	53	13	7	
50	40	1 1/2	16	721 600 010	-	-	0.062	63	59	16	7	
63	50	2	16	721 600 011	-	-	0.110	78	74	18	8	
75	65	2 1/2	10	721 600 012	-	-	0.218	101	90	22	10	
90	80	3	10	721 600 013	-	-	0.339	121	108	24	11	
110	100	4	10	721 600 014	-	-	0.538	146	131	26	12	

34 60 01

Union Ends, PE80**Model:**

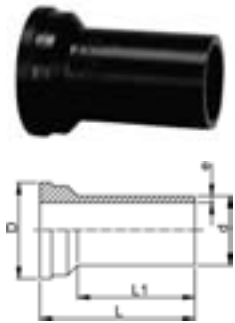
- With fusion socket metric
- Suitable for unions, tank connectors and diaphragm valves Type 314



d [mm]	PN	Code	SP	GP	kg	d1 [mm]	d2 [mm]	L [mm]	L1 [mm]	z [mm]
20	10	734 600 106	-	-	0.006	28	30	19	5	5
25	10	734 600 107	-	-	0.012	36	39	21	5	5
32	10	734 600 108	-	-	0.015	42	45	23	6	5
40	10	734 600 109	-	-	0.026	53	57	25	6	5
50	10	734 600 110	-	-	0.027	59	63	28	7	5
63	10	734 600 111	-	-	0.045	74	79	32	8	5

Union Ends long, PE100**Model:**

- For butt-, IR Plus® and electro fusion
- Suitable for unions, tank connectors and diaphragm valves Type 314

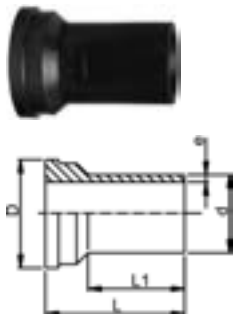


d [mm]	PN	FM	Code	SP	GP	kg	D [mm]	L [mm]	L1 [mm]	e [mm]
20	16	IR	753 608 616	-	-	0.011	30	67	52	1,9
25	16	IR	753 608 617	-	-	0.018	39	71	53	2,3
32	16	IR	753 608 618	-	-	0.027	45	73	55	2,9
40	16	IR	753 608 619	-	-	0.045	57	81	60	3,7
50	16	IR	753 608 620	-	-	0.062	63	87	66	4,6
63	16	IR	753 608 621	-	-	0.100	78	93	70	5,8

53 60 86

Union Ends, PE100 SDR11**Model:**

- Suitable for unions, tank connectors and diaphragm valves Type 314
- Conventional butt-welding according to DVS 2207 part 1
- IR = Infrared- (IR Plus®) compatible.
- **For the dimensions d75-110 please see instructions for the installation**



d [mm]	PN	FM	Code	SP	GP	kg	D [mm]	L [mm]	L1 [mm]	e [mm]
20	16	IR	753 608 606	-	-	0.011	30	54	38	1,9
25	16	IR	753 608 607	-	-	0.018	39	57	42	2,3
32	16	IR	753 608 608	-	-	0.027	45	60	41	2,9
40	16	IR	753 608 609	-	-	0.045	57	63	42	3,7
50	16	IR	753 608 610	-	-	0.062	63	66	44	4,6
63	16	IR	753 608 611	-	-	0.100	78	69	45	5,8
75	10	IR	753 608 612	-	-	0.147	101	66	34	6,8
90	10	IR	753 608 613	-	-	0.156	101	66	45	8,2
110	10	IR	753 608 614	-	-	0.226	121	66	40	10,0

24 60 06

Union Ends, Stainless Steel 1.4404 (316L)**Rp****Model:**

- Parallel female thread Rp



Rp [inch]	PN	Code	SP	GP	kg	z [mm]	D [mm]	D1 [mm]	L [mm]	s [mm]
3/8	16	724 600 655	-	-	0.030	9	24	22	19	19
1/2	16	724 600 656	-	-	0.060	11	30	28	24	24
3/4	16	724 600 657	-	-	0.100	11	39	36	26	29
1	16	724 600 658	-	-	0.140	12	45	42	29	36
1 1/4	16	724 600 659	-	-	0.230	14	57	53	33	45
1 1/2	16	724 600 660	-	-	0.320	15	63	59	34	54
2	16	724 600 661	-	-	0.450	15	78	74	39	63

24 60 07

Union Ends, Stainless Steel 1.4404 (316L)**R****Model:**

- Taper male thread R



R [inch]	PN	Code	SP	GP	kg	D [mm]	D1 [mm]	L [mm]	s [mm]
3/8	16	724 600 705	-	-	0.050	24	22	30	19
1/2	16	724 600 706	-	-	0.090	30	28	34	24
3/4	16	724 600 707	-	-	0.120	39	36	36	32
1	16	724 600 708	-	-	0.190	45	42	40	37
1 1/4	16	724 600 709	-	-	0.350	57	53	46	48
1 1/2	16	724 600 710	-	-	0.400	63	59	48	54
2	16	724 600 711	-	-	0.660	78	74	55	69

24 60 55

Union Ends, Stainless Steel 1.4404 (316L)**Welding End**

d [mm]	d1 [mm]	PN	Code	SP	GP	kg	D [mm]	D1 [mm]	L [mm]	e [mm]
16	17	16	724 605 505	-	-	0.030	24	22	18	1.6
20	21	16	724 605 506	-	-	0.050	30	28	22	2.0
25	26	16	724 605 507	-	-	0.080	39	36	23	2.0
32	33	16	724 605 508	-	-	0.110	45	42	26	2.0
40	42	16	724 605 509	-	-	0.190	57	53	26	2.0
50	48	16	724 605 510	-	-	0.220	63	59	28	2.0
63	60	16	724 605 511	-	-	0.370	78	74	32	2.6

21 64 01

Union Bushes, PVC-U metric

Model:

- Solvent cement socket metric
- Jointing face: with O-Ring groove
- Gasket: O-Ring EPDM No. 48 41 00, FPM No. 49 41 00



d [mm]	PN	Code	SP	GP	kg	z [mm]	D [mm]	L [mm]	G/Tr
10	16	721 640 103	-	-	0.007	10	20	22	5/8
12	16	721 640 104	-	-	0.007	10	20	22	5/8
16	16	721 640 105	-	-	0.009	10	24	24	3/4
20	16	721 640 106	-	-	0.014	10	29	26	1
25	16	721 640 107	-	-	0.023	10	34	29	1 1/4
32	16	721 640 108	-	-	0.032	10	42	32	1 1/2
40	16	721 640 109	-	-	0.058	12	52	38	2
50	16	721 640 110	-	-	0.039	14	62	45	2 1/4
63	16	721 640 111	-	-	0.132	18	78	56	2 3/4
75	10	721 640 112	-	-	0.210	18	93	62	Tr108x5
90	10	721 640 113	-	-	0.315	18	110	69	Tr128x5
110	10	721 640 114	-	-	0.445	11	133	72	Tr154x6

21 64 06

Union Bushes, PVC-U Rp

Model:

- With parallel female thread Rp
- Jointing Face: with O-Ring groove
- Gasket: O-Ring EPDM No. 48 41 00, FPM No. 49 41 00
- Connection to plastic thread only
- Do not use thread sealing pastes that are harmful to PVC-U



Rp [inch]	PN	Code	SP	GP	kg	z [mm]	D [mm]	L [mm]	G [inch]
¼	10	721 640 604	-	-	0.006	12	20	22	⅝
⅜	10	721 640 605	-	-	0.008	13	24	24	¾
½	10	721 640 606	-	-	0.013	13	29	26	1
¾	10	721 640 607	-	-	0.021	14	34	29	1 ¼
1	10	721 640 608	-	-	0.032	15	42	32	1 ½
1 ¼	10	721 640 609	-	-	0.057	19	53	38	2
1 ½	10	721 640 610	-	-	0.086	26	63	45	2 ¼
2	10	721 640 611	-	-	0.160	33	78	56	2 ¾

21 64 11

Union Bushes, PVC-U BS Inch

Model:

- Solvent cement socket BS
- Jointing face: with O-Ring groove
- Gasket: O-Ring EPDM No. 48 41 00, FPM No. 49 41 00



PN	Code	SP	GP	kg	z [mm]	D [mm]	L [mm]	G [inch]
16	721 641 105	-	-	0.008	8	24	24	3/4"
16	721 641 106	-	-	0.012	9	29	26	1"
16	721 641 107	-	-	0.021	9	34	29	1 1/4"
16	721 641 108	-	-	0.029	9	42	32	1 1/2"
16	721 641 109	-	-	0.052	10	52	38	2"
16	721 641 110	-	-	0.068	10	62	40	2 1/4"
16	721 641 111	-	-	0.137	10	78	46	2 3/4"

24 63 06

Union Bushes, Malleable Iron Galvanized Rp

Model:

- Parallel female thread Rp



d [mm]	Rp [inch]	PN	Code	kg	z [mm]	L [mm]	G [inch]	s [mm]
20	½	16	724 630 606	0.058	12	25	1	25
25	¾	16	724 630 607	0.096	13	28	1 ¼	31
32	1	16	724 630 608	0.127	14	31	1 ½	28
40	1 ¼	16	724 630 609	0.204	14	33	2	47
50	1 ½	16	724 630 610	0.268	17	36	2 ¼	53
63	2	16	724 630 611	0.550	18	42	2 ¾	66
75	2 ½	16	724 630 612	0.737	19	46	3 ½	82
90	3	16	724 630 613	0.913	22	52	4	96

24 63 09

Union Bushes, Malleable Iron Galvanized R

Model:

- Taper male thread R



d [mm]	R [inch]	PN	Code	kg	L [mm]	G [inch]	s [mm]
20	½	16	724 630 906	0.085	43	1	25
25	¾	16	724 630 907	0.147	49	1 ¼	31
32	1	16	724 630 908	0.210	53	1 ½	38
40	1 ¼	16	724 630 909	0.315	58	2	47
50	1 ½	16	724 630 910	0.411	62	2 ¼	53
63	2	16	724 630 911	0.665	71	2 ¾	66
75	2 ½	16	724 630 912	0.897	78	3 ¼	82
90	3	16	724 630 913	1.300	87	4	96

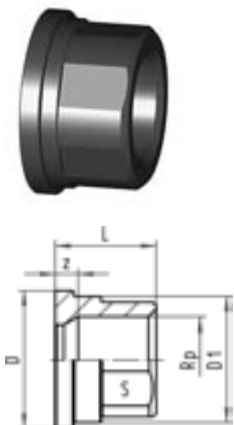
20 60 02

Union Ends, Brass Rp



Model:

- Union End: brass with parallel female thread Rp



d [mm]	Rp [inch]	Code	SP	GP	kg	D [mm]	D1 [mm]	z [mm]	L [mm]
20	½	720 600 206	-	-	0.058	30	28	7	22
25	¾	720 600 207	-	-	0.088	39	36	6	22
32	1	720 600 208	-	-	0.136	45	42	8	27
40	1 ¼	720 600 209	-	-	0.245	56	53	10	31
50	1 ½	720 600 210	-	-	0.276	62	59	10	30
63	2	720 600 211	-	-	0.459	78	74	8	34
75	2 ½	720 600 212	-	-	0.726	100	91	8	38
90	3	720 600 213	-	-	1.064	121	110	7	40

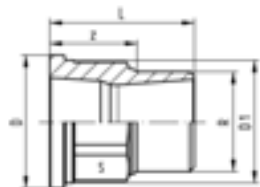
20 60 02

Union Ends, Brass R



Model:

- Union End: brass with taper male thread R



d [mm]	R [inch]	Code	SP	GP	kg	D [mm]	D1 [mm]	L [mm]	z [mm]	s [mm]
20	1/2	720 600 226	-	-	0.096	30	27	37	24	25
25	3/4	720 600 227	-	-	0.142	39	36	40	26	31
32	1	720 600 228	-	-	0.221	45	42	43	26	38
32	1 1/4	720 600 229	-	-	0.380	56	53	48	29	48
50	1 1/2	720 600 230	-	-	0.460	62	59	50	31	54
63	2	720 600 231	-	-	0.726	78	74	57	34	67
75	2 1/2	720 600 232	-	-	1.215	100	92	70	43	83
90	3	720 600 233	-	-	1.635	121	110	72	42	96

21 69 00

Union Nuts, PVC-U



d [mm]	PN	Code	SP	GP	kg	D [mm]	L [mm]	G [inch]	Tr
10 - 12	16	721 690 004	-	-	0.009	31	19	5/8	
16	16	721 690 005	-	-	0.013	35	21	3/4	
20	16	721 690 006	-	-	0.020	43	23	1	
25	16	721 690 007	-	-	0.022	51	24	1 1/4	
32	16	721 690 008	-	-	0.031	58	26	1 1/2	
40	16	721 690 009	-	-	0.050	72	29	2	
50	16	721 690 010	-	-	0.087	83	34	2 1/4	
63	16	721 690 011	-	-	0.130	100	38	2 3/4	
75	10	721 690 012	-	-	0.130	135	40		Tr 108x5
90	10	721 690 013	-	-	0.355	158	43		Tr 128x5
110	10	721 690 014	-	-	0.575	188	48		Tr 154x6

61 49 06

Backing Nut, PVC-U

Model:

- With G thread ISO 228/1
- For Tank Adaptor Type 050



G [inch]	Code	SP	GP	kg	D [mm]	L [mm]	s [mm]
3/4	161 490 630	400	-	0.007	39	13	32
1	161 490 632	200	-	0.012	48	15	40
1 1/4	161 490 634	100	-	0.020	58	17	50
1 1/2	161 490 635	100	-	0.025	65	18	56
1 3/4	161 490 636	75	-	0.036	72	19	64
2	161 490 637	50	-	0.044	79	21	69
2 1/4	161 490 638	50	-	0.053	86	21	76
2 1/2	161 490 639	25	-	0.063	94	23	85
2 3/4	161 490 640	-	-	0.080	106	25	95
3	161 490 641	20	-	0.101	112	26	100
4	161 490 644	10	-	0.164	139	32	126

Union nut stainless steel 1.4404 (316L)

* Octagon union nut



d [mm]	PN	Code	SP	GP	kg	L [mm]	G [inch]	s [mm]	
16	16	724 690 105	-	-	0.060	19	¾	32	
20	16	724 690 106	-	-	0.110	21	1	41	
25	16	724 690 107	-	-	0.100	23	1 ¼	46	
32	16	724 690 108	-	-	0.170	24	1 ½	55	
*40	16	724 690 109	-	-	0.240	27	2	68	
*50	16	724 690 110	-	-	0.300	31	2 ¼	74	
*63	16	724 690 111	-	-	0.390	35	2 ¾	88	

20 69 00
20 69 04

Union nut brass

- For tap connector No. 21 55 03 and for adaptor unions brass/PVC



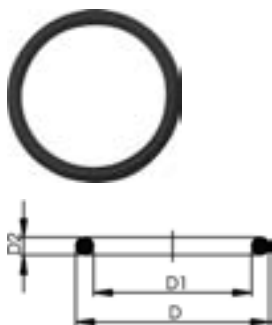
d [mm]	G [inch]	PN	Code	SP	GP	kg	L [mm]	s [mm]
12	1/2	16	720 690 405	-	-	0.026	16	24
16	3/4	16	720 690 005	-	-	0.042	17	30
20	1	16	720 690 006	-	-	0.060	19	38
25	1 1/4	16	720 690 007	-	-	0.108	20	47
32	1 1/2	16	720 690 008	-	-	0.105	22	52
40	2	16	720 690 009	-	-	0.199	25	66
50	2 1/4	16	720 690 010	-	-	0.268	25	72
63	2 3/4	16	720 690 011	-	-	0.280	27	87
75	3 1/2	16	720 690 012	-	-	0.675	34	110
90	4	16	720 690 013	-	-	0.582	36	120

EPDM 48 41 00
FPM 49 41 00

O-Ring Gaskets

Model:

- For unions and adaptor unions
- Hardness approx. 65° Shore
- EPDM minimum temperature -40°C
- FPM minimum temperature -15°C



d [mm]	DN [mm]	EPDM Code	FPM Code	SP	GP	kg	D [mm]	D1 [mm]	D2 [mm]
10 - 12	8	748 410 004	749 410 004	-	-	0.002	18	12	3
16	10	748 410 005	749 410 005	-	-	0.002	21	16	3
20	15	748 410 006	749 410 006	-	-	0.002	27	20	4
25	20	748 410 007	749 410 007	100	1400	0.002	35	28	4
32	25	748 410 008	749 410 008	100	-	0.002	40	33	4
40	32	748 410 009	749 410 009	-	-	0.006	51	41	5
50	40	748 410 010	749 410 010	-	-	0.007	58	47	5
63	50	748 410 011	749 410 011	100	3500	0.010	70	60	5
75	65	748 410 014	749 410 014	100	600	0.012	93	82	5
90	80	748 410 015	749 410 015	100	600	0.015	112	101	5
110	100	748 410 016	749 410 016	50	200	0.031	134	120	7

EPDM 48 40 00
FPM 49 40 00

Flat Gaskets

Model:

- Hardness approx. 65° Shore
- For adaptor unions



d [mm]	Inch	EPDM Code	FPM Code	kg	D [mm]	D1 [mm]	H [mm]
12	1/4	748 400 004	-	0.002	20	13	2
16	3/8	748 400 005	749 400 005	0.002	24	17	2
20	1/2	748 400 006	749 400 006	0.003	30	21	3
25	3/4	748 400 007	749 400 007	0.004	38	27	3
32	1	748 400 008	749 400 008	0.002	44	32	3
40	1 1/4	748 400 009	749 400 009	0.003	55	42	3
50	1 1/2	748 400 010	749 400 010	0.004	62	46	3
63	2	748 400 011	749 400 011	0.006	78	60	3
75	2 1/2	748 400 012	749 400 012	0.009	97	75	3
90	3	748 400 013	749 400 013	0.011	109	88	3

EPDM 48 40 02

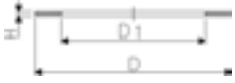
Flat Gaskets

Model:

- Hardness approx. 65° Shore
- For tap connectors No. 21 55 03

Attention:

- For tap connector d16 - 1/2": 748 400 030
- For tap connector d20 - 3/4": 748 400 005
- For tap connector d25 - 1": 748 400 006

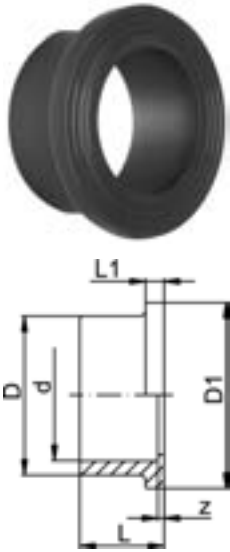


EPDM Code	SP	GP	kg	D [mm]	D1 [mm]	H [mm]	
748 400 030	-	-	0.003	18	14	2	
748 400 005	-	-	0.001	24	17	2	
748 400 006	-	-	0.003	30	21	3	

Flange Adaptors and Flanges

21 79 01

Flange Adaptors, PVC-U Jointing face serrated, metric



Model:

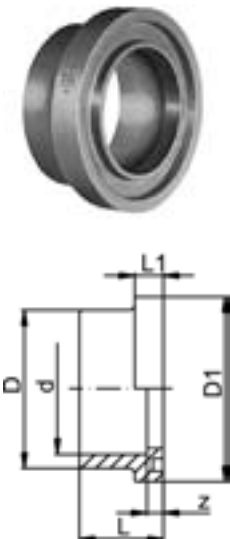
- Solvent cement socket metric
- d16 - d50: Jointing face flat
- d63 - d400: Combined Jointing face serrated and flat
- Gasket: Profile flange gasket EPDM No. 48 44 07, FPM No. 49 44 07
or
Flat gasket EPDM No. 48 40 03, FPM No. 49 40 03
Only use O-ring EPDM No. 48 41 01, FPM No. 49 41 01 in combination with counterpart Flange Adaptor No. 21 81 01
- Flange: PVC-U No. 21 70 00, PP with steel ring No. 27 70 02, Backing Flange PP-V for socket systems metric No. 27 70 04

Note: The flat gasket affects the maximum allowable operating pressure!

d	DN	PN	Code	SP	GP	kg	z	D	D1	L	L1	
[mm]	[mm]						[mm]	[mm]	[mm]	[mm]	[mm]	
63	50	16	721 790 111	10	50	0.103	3	77	90	41	9	
75	65	16	721 790 112	10	-	0.155	3	91	106	47	10	
90	80	16	721 790 113	10	-	0.254	5	108	125	56	11	
110	100	16	721 790 114	10	-	0.418	5	131	150	66	12	
125	100	16	721 790 115	5	-	0.548	5	148	170	74	13	
140	125	16	721 790 116	6	-	0.740	5	165	188	81	14	
160	150	16	721 790 117	2	-	1.077	5	188	213	91	16	
200	200	10	721 790 119	2	-	1.476	6	224	250	112	24	
225	200	10	721 790 120	2	-	1.758	6	248	274	125	25	
250	250	10	721 790 121	-	-	2.150	9	274	303	140	23	
280	250	10	721 790 122	1	-	2.895	5	308	329	151	23	
315	300	6	721 790 123	1	-	4.450	8	346	379	172	27	
355	350	6	721 790 124	-	-	5.800	10	384	430	194	32	
400	400	6	721 790 125	-	-	8.900	10	438	482	216	34	

21 81 01

Flange Adaptors, PVC-U Jointing face with O-ring groove, metric

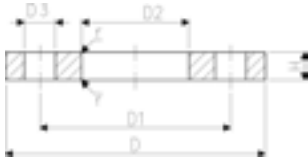


Model:

- Solvent cement socket metric
- Counterpart: Flange Adaptor flat No. 21 80 01
Combined Flange Adaptor (d160, d200, d225, d280, d315)
- Gasket: O-ring EPDM No. 48 41 01, FPM No. 49 41 01
- Flange: PVC-U No. 21 70 00, PP/Steel Nr. 27 70 02, PP-V for socket systems metric No. 27 70 04

d	DN	PN	Code	SP	GP	kg	z	D	D1	L	L1	
[mm]	[mm]						[mm]	[mm]	[mm]	[mm]	[mm]	
16	10	16	721 810 105	10	100	0.008	6	22	29	20	9	
20	15	16	721 810 106	100	-	0.011	6	27	34	22	9	
25	20	16	721 810 107	10	100	0.018	6	33	41	25	10	
32	25	16	721 810 108	10	100	0.027	6	41	50	28	10	
40	32	16	721 810 109	10	100	0.045	8	50	61	34	13	
50	40	16	721 810 110	10	50	0.068	8	61	73	39	13	
63	50	16	721 810 111	10	50	0.120	8	77	90	46	14	
75	65	16	721 810 112	10	-	0.182	8	91	106	52	15	
90	80	16	721 810 113	10	-	0.291	10	108	125	61	16	
110	100	16	721 810 114	10	-	0.468	11	131	150	72	18	
125	100	16	721 810 115	5	-	0.753	11	148	170	80	19	
140	125	16	721 810 116	6	-	0.830	11	165	188	87	20	
160	150	16	721 810 117	2	-	1.180	11	188	213	97	22	
200	200	10	721 810 119	2	-	1.593	12	224	250	118	30	
225	200	10	721 810 120	2	-	1.895	12	248	274	131	31	
250	250	10	721 810 121	-	-	2.150	9	274	303	140	23	
280	250	10	721 810 122	1	-	3.100	13	308	329	158	30	
315	300	6	721 810 123	1	-	4.830	17	346	379	180	35	

Backing Flanges, PVC-U metric



Model:

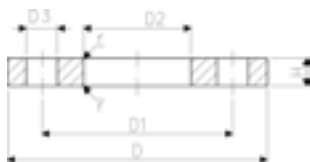
- For socket systems
- Connecting dimension: ISO 7005, EN 1092, BS 4504, DIN 2501; bolt circle PN 10
- Maximum medium- or ambient temperature 45 °C

* Connecting dimension: ISO 2536

d [mm]	DN [mm]	Inch	PN	Code	GP	kg
16	10	3/8	10	721 700 005	-	0.055
20	15	1/2	10	721 700 006	-	0.069
25	20	3/4	10	721 700 007	-	0.092
32	25	1	10	721 700 008	-	0.132
40	32	1 1/4	10	721 700 009	-	0.194
50	40	1 1/2	10	721 700 010	-	0.245
63	50	2	10	721 700 011	-	0.311
75	65	2 1/2	10	721 700 012	-	0.375
90	80	3	10	721 700 013	-	0.471
110	100	4	10	721 700 014	-	0.554
125	125	4 1/2	10	721 700 015	-	0.995
140	125	5	10	721 700 016	-	0.746
160	150	6	10	721 700 017	-	1.016
200	200	7	10	721 700 019	-	1.658
225	200	8	10	721 700 020	-	1.380
250	250	9	6	721 700 021	-	1.700
*250	225	9	6	721 700 136	-	1.700
280	250	10	6	721 700 137	-	1.730
315	300	12	6	721 700 138	-	2.350
355	350	14	6	721 700 139	-	3.400
400	400	16	6	721 700 140	-	4.500

d [mm]	D [mm]	D1 [mm]	D2 [mm]	D3 [mm]	H [mm]	r [mm]	AL	SC
16	90	60	23	14	10	1	4	M12
20	95	65	28	14	11	1	4	M12
25	105	75	34	14	12	2	4	M12
32	115	85	42	14	14	2	4	M12
40	140	100	51	18	15	2	4	M16
50	150	110	62	18	16	2	4	M16
63	165	125	78	18	18	3	4	M16
75	185	145	92	18	19	3	4	M16
90	200	160	110	18	20	3	8	M16
110	220	180	133	18	22	3	8	M16
125	250	210	150	18	26	5	8	M16
140	250	210	167	18	26	4	8	M16
160	285	240	190	22	28	4	8	M20
200	340	295	226	22	32	4	8	M20
225	340	295	250	22	32	4	8	M20
250	395	350	277	22	36	4	12	M20
*250	370	325	277	22	36	4	8	M20
280	395	350	310	22	36	4	12	M20
315	445	400	348	22	36	4	12	M20
355	505	460	388	22	38	5	16	M20
400	565	515	442	26	42	5	16	M24

Backing Flanges, PVC-U Inch ASTM / ANSI



Model:

- For socket systems
- For Flange Adaptors BS/ANSI
- Connecting dimension: ANSI/ASME B 16.5 class 150, ASTM D 4024, BS 1560, BS EN 1759

* Only for use with metric flange adaptors

Inch	DN [mm]	d [mm]	PN	Code	SP	GP	kg
½	15		10	721 702 206	90	-	0.067
¾	20		10	721 702 207	50	-	0.088
1	25		10	721 702 208	40	-	0.128
1 ¼	32		10	721 702 209	25	-	0.204
1 ½	40		10	721 702 210	20	-	0.253
2	50		10	721 702 211	30	-	0.305
2 ½	65		10	721 702 212	27	-	0.382
3	80		10	721 702 213	20	-	0.498
4	100		10	721 702 214	-	-	0.515
*4	100	110	10	161 483 180	30	-	0.563
5	125		10	721 702 216	12	-	0.727
6	150		10	721 702 217	9	-	1.910
6	150	160	10	721 700 017	9	-	1.016
8	200		10	721 702 220	8	-	1.349

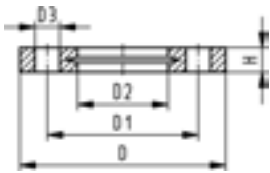
Inch	DN [mm]	d [mm]	D [mm]	D1 [mm]	D2 [mm]	D3 [mm]	H [mm]	r [mm]	AL
½	15		95	60	28	16	11	1	4
¾	20		105	70	34	16	12	2	4
1	25		115	79	42	16	14	2	4
1 ¼	32		140	89	51	16	15	2	4
1 ½	40		150	98	62	16	16	2	4
2	50		165	121	78	19	18	3	4
2 ½	65		185	140	92	19	19	3	4
3	80		200	152	110	19	20	3	4
4	100		220	190	138	19	22	3	8
*4	100	110	220	190	133	19	22	3	8
5	125		250	216	167	22	26	4	8
6	150		285	241	200	22	28	4	8
6	150	160	285	240	190	22	28	4	8
8	200		340	298	250	22	32	4	8

27 70 04
27 70 05



Backing Flanges, PP-V for Socket Systems metric



Model:

- Modern full-plastic flange PP-GF (30 % glass-fibre reinforced)
- With V-groove which applies force evenly on collar
- With integrated bolt retainers as an assembly aid
- Connecting dimension: ISO 7005, EN 1092, BS 4504, DIN 2501; bolt circle PN 10



¹⁾ Suitable for socket- and butt fusion systems (no pictograph on flange)

d [mm]	Inch	DN [mm]	PN	Code	SP	GP	kg
20		15	16	727 700 406	56	-	0.080
25		20	16	727 700 407	38	-	0.100
32		25	16	727 700 408	80	-	0.140
40		32	16	727 700 409	40	-	0.220
50		40	16	727 700 410	30	-	0.210
63		50	16	727 700 411	25	-	0.380
75		65	16	727 700 412	19	-	0.480
90		80	16	727 700 413	15	-	0.520
110		100	16	727 700 414	13	-	0.680
140		125	16	727 700 416	10	-	0.800
160	6	150	16	727 700 417	-	-	1.200
200		200	16	727 700 419	-	-	1.500
225	8	200	16	727 700 420	-	-	1.400
250		250	16	727 700 421	-	-	1.700
280		250	16	727 700 422	-	-	1.700
315		300	16	727 700 423	-	-	2.400
 355		350	10	727 700 424	-	-	3.000
 400		400	10	727 700 425	-	-	3.500

d [mm]	D [mm]	D1 [mm]	D2 [mm]	D3 [mm]	H [mm]	AL	SC
20	95	65	28	14	16	4	M12
25	105	75	34	14	17	4	M12
32	115	85	42	14	18	4	M12
40	140	100	51	18	20	4	M16
50	150	110	62	18	22	4	M16
63	165	125	78	18	24	4	M16
75	185	145	92	18	26	4	M16
90	200	160	110	18	27	8	M16
110	220	180	133	18	28	8	M16
140	250	210	167	18	30	8	M16
160	285	241	190	22	32	8	M20
200	340	296	226	22	34	8	M20
225	340	295	250	22	34	8	M20
250	395	350	277	22	38	12	M20
280	395	350	310	22	38	12	M20
315	445	400	348	22	42	12	M20
 355	515	460	388	23	46	16	M20
 400	574	515	442	26	50	16	M24

27 70 02

Backing Flanges, PP/Steel for Socket Systems metric

Model:

- PP-GF (30% glass-fibre reinforced) with steel ring
- Connecting dimension: ISO 7005, EN 1092, BS 4504, DIN 2501; bolt circle PN 10

¹ Connecting dimension: ISO 2536 DN125

* Connecting dimension: ISO 2536



d [mm]	DN [mm]	PN	Code	kg	D [mm]	D1 [mm]	D2 [mm]	D3 [mm]	H [mm]	AL	SC
20	15	16	727 700 206	0.220	95	65	28	14	12	4	M12
25	20	16	727 700 207	0.260	105	75	34	14	12	4	M12
32	25	16	727 700 208	0.430	115	85	42	14	16	4	M12
40	32	16	727 700 209	0.650	140	100	51	18	16	4	M16
50	40	16	727 700 210	0.820	150	110	62	18	18	4	M16
63	50	16	727 700 211	0.940	165	125	78	18	18	4	M16
75	65	16	727 700 212	1.300	185	145	92	18	18	4	M16
90	80	16	727 700 213	1.400	200	160	110	18	20	8	M16
110	100	16	727 700 214	1.560	220	180	133	18	20	8	M16
¹ 125	100	16	727 700 215	2.590	250	210	150	18	24	8	M16
140	125	16	727 700 216	2.120	250	210	167	18	24	8	M16
160	150	16	727 700 217	3.390	285	240	190	22	24	8	M20
200	200	16	727 700 219	5.850	340	295	226	22	27	8	M20
225	200	16	727 700 220	4.410	340	295	250	22	27	8	M20
250	250	16	727 700 021	8.340	395	350	277	22	30	12	M20
*250	250	16	727 700 221	8.340	395	325	277	22	30	8	M20
280	250	16	727 700 222	5.520	395	350	310	22	30	12	M20
315	300	16	727 700 223	7.600	445	400	348	22	34	12	M20
355	350	16	727 700 224	13.960	515	460	388	23	40	16	M20
400	400	16	727 700 225	17.380	574	515	442	26	40	16	M24

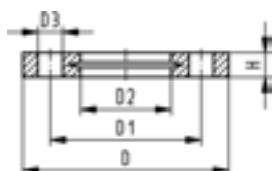
27 70 14
27 70 15

Backing Flanges, PP-V for Socket Systems Inch/ANSI

Model:

- Modern full-plastic flange PP-GF (30 % glass-fibre reinforced)
- With V-groove which applies force evenly on collar
- With integrated bolt-fixing as an assembly aid
- Connecting dimension: ANSI/ASME B 16.5 class 150, ASTM D 4024, BS 1560, BS EN 1759

¹) Suitable for socket- and butt fusion systems (no pictograph on flange)



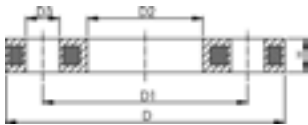
Inch	DN [mm]	PN	Code	kg	D [mm]	D1 [mm]	D2 [mm]	D3 [mm]	H [mm]	AL	SC
¹ ½	15	16	727 701 406	0.080	95	60	28	16	16	4	M12
¹ ¾	20	16	727 701 407	0.100	105	70	34	16	17	4	M12
¹ 1	25	16	727 701 408	0.140	115	79	42	16	18	4	M12
¹ 1 ¼	32	16	727 701 409	0.220	140	89	51	16	20	4	M16
¹ 1 ½	40	16	727 701 410	0.210	150	98	62	16	22	4	M16
¹ 2	50	16	727 701 411	0.380	165	121	78	19	24	4	M16
¹ 2 ½	65	16	727 701 412	0.480	185	140	92	19	26	4	M16
3	80	16	727 701 413	0.520	200	152	110	19	27	4	M16
4	100	16	727 701 414	0.680	229	190	133	19	28	8	M16
6	150	16	727 700 417	1.200	285	241	190	22	32	8	M20
10	250	16	727 701 422	1.700	406	362	310	26	38	12	M20
12	300	16	727 701 423	2.400	483	432	348	26	42	12	M20

27 70 12

Backing Flanges, PP/Steel for Socket Systems Inch/ANSI

Model:

- For socket systems
- For Flange Adaptors BS/ANSI
- Material: PP (30 % glass-fibre reinforced) with steel ring
- Connecting dimension: ANSI/ASME B 16.5 class 150, ASTM D 4024, BS 1560, BS EN 1759
- DN100 and DN150: only for use with original metric flange adaptors



DN [mm]	d [mm]	PN	Code	GP	kg	D1 [mm]	D2 [mm]	D3 [mm]	D [mm]	H [mm]	AL
15	20	16	727 701 206	-	0.210	60	28	16	95	12	4
20	25	16	727 701 207	-	0.250	70	34	16	105	12	4
25	32	16	727 701 208	-	0.420	79	42	16	115	16	4
32	40	16	727 701 209	-	0.670	89	51	16	140	16	4
40	50	16	727 701 210	-	0.860	98	62	16	150	18	4
50	63	16	727 701 211	-	0.930	121	78	19	165	18	4
65	75	16	727 701 212	-	1.340	140	92	19	185	18	4
80	90	16	727 701 213	-	1.550	152	110	19	200	20	4
100	110	16	727 701 214	-	1.810	190	133	19	229	20	8
200	200	16	727 701 220	-	4.410	298	250	22	340	27	8

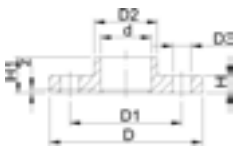
21 73 02

Fixed Flanges, PVC-U Jointing face flat, metric

Model:

- Solvent cement socket metric
- Connecting dimension: ISO 7005 PN10, EN 1092 PN10, DIN 2501 PN10

* Combined Flange, connecting dimensions DIN 2501 PN 10 and ANSI B 16.5



d [mm]	DN [mm]	Inch	PN	Code	GP	kg
20	15	½	16	721 730 206	-	0.105
25	20	¾	16	721 730 207	-	0.130
32	25	1	16	721 730 208	-	0.183
40	32	1 ¼	16	721 730 209	-	0.305
50	40	1 ½	16	721 730 210	-	0.365
63	50	2	16	721 730 211	-	0.510
*75	65	2 ½	10	721 730 212	-	0.520
*90	80	3	10	721 730 213	-	0.720
*110	100	4	10	721 730 214	-	0.920
*140	125	5	10	721 730 216	-	1.380
*160	150	6	10	721 730 217	-	2.020

d [mm]	D [mm]	D1 [mm]	D2 [mm]	D3 [mm]	z [mm]	H [mm]	H1 [mm]	AL	SC
20	95	65	27	14	3	12	19	4	M12
25	105	75	33	14	3	13	22	4	M12
32	115	85	41	14	3	14	25	4	M12
40	140	100	51	18	3	17	29	4	M16
50	150	110	62	18	3	17	34	4	M16
63	165	125	77	18	3	20	41	4	M16
*75	185	142	91	22	3	21	47	4	M20
*90	200	156	108	22	5	22	56	8	M20
*110	220	186	131	24	5	24	66	8	M20
*140	250	215	165	23	5	28	91	8	M20
*160	285	240	188	23	5	30	91	8	M20

Fixed Flanges, PVC-U Jointing face serrated, metric

Model:

- Solvent cement socket metric
- Connecting dimension: ISO 7005 PN10, EN 1092 PN10, DIN 2501 PN10

* Combined Flange, connecting dimensions DIN 2501 PN 10 and ANSI B 16.5



d [mm]	DN [mm]	Inch	PN	Code	GP	kg
20	15	1/2	16	721 740 106	-	0.100
25	20	3/4	16	721 740 107	-	0.130
32	25	1	16	721 740 108	-	0.185
40	32	1 1/4	16	721 740 109	-	0.305
50	40	1 1/2	16	721 740 110	-	0.368
63	50	2	16	721 740 111	-	0.510
*75	65	2 1/2	10	721 740 112	-	0.520
*90	80	3	10	721 740 113	-	0.720
*110	100	4	10	721 740 114	-	0.920
*140	125	5	10	721 740 116	-	1.380
*160	150	6	10	721 740 117	-	2.020

d [mm]	z [mm]	D [mm]	D1 [mm]	D2 [mm]	D3 [mm]	H [mm]	H1 [mm]	AL	SC
20	3	95	65	27	14	12	19	4	M12
25	3	105	75	33	14	13	22	4	M12
32	3	115	85	41	14	14	25	4	M12
40	3	140	100	51	18	17	29	4	M16
50	3	150	110	62	18	17	34	4	M16
63	3	165	125	77	18	20	41	4	M16
*75	3	185	142	91	22	21	47	4	M20
*90	5	200	156	108	22	22	56	8	M20
*110	5	220	186	131	24	24	66	8	M20
*140	5	250	215	165	23	28	91	8	M20
*160	5	285	240	188	23	30	91	8	M20

Blanking Flanges, PVC-U

Jointing face serrated, metric

Model:

- Connecting dimension: ISO 7005 PN10, EN 1092 PN10, DIN 2501 PN10
- **d63 to d160: combined jointing face (serrated and flat)**

* Combined Flange, connecting dimensions DIN 2501 PN 10 and ANSI B 16.5



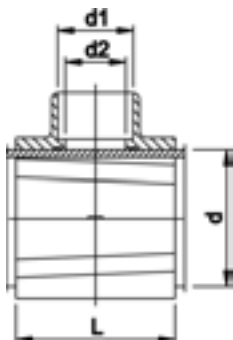
d [mm]	DN [mm]	Inch	PN	Code	GP	kg
*20	15	1/2	10	721 700 506	-	0.075
*25	20	3/4	10	721 700 507	-	0.097
*32	25	1	10	721 700 508	-	0.145
*40	32	1 1/4	10	721 700 509	-	0.222
*50	40	1 1/2	10	721 700 510	-	0.278
*63	50	2	10	721 700 511	-	0.380
*75	65	2 1/2	10	721 700 512	-	0.534
*90	80	3	10	721 700 513	-	0.667
*110	100	4	10	721 700 514	-	0.872
*140	125	5	10	721 700 516	-	1.312
*160	150	6	10	721 700 517	-	1.730
225	200	8	10	721 700 520	-	2.600
250	250	10	10	721 700 521	-	3.300
280	250	10	10	721 700 522	-	4.650
315	300	12	6	721 700 523	-	5.750
355	350	14	6	721 700 524	-	6.800
400	400	16	6	721 700 525	-	9.000

d [mm]	D [mm]	D1 [mm]	D1 min. [mm]	D1 max. [mm]	D2 [mm]	D3 [mm]	D4 [mm]	H [mm]	H1 [mm]	AL
*20	95		61.0	63.0	34	16	15	15	12	4
*25	105		70.0	73.0	41	16	20	16	13	4
*32	115		79.0	83.0	50	16	25	19	15	4
*40	140		91.0	100.0	61	18	34	20	16	4
*50	150		101.0	110.0	74	18	44	22	17	4
*63	165		121.0	124.0	91	19	57	25	20	4
*75	185		140.0	145.0	106	22	69	29	21	4
*90	200		152.0	160.0	125	22	82	32	22	8
*110	220		180.0	191.0	150	24	102	36	24	8
*140	250	215			184	23	120	41	28	8
*160	285	240			212	23	152	45	30	8
225	340	295			273	22	213	63	36	8
250	370	325			303	22	238	63	36	8
280	395	350			328	22	266	65	36	12
315	445	400			378	22	299	65	36	12
355	505	460			430	22	341	67	38	16
400	565	515			482	26	384	71	42	16

Branch and Tapping Saddles

21 111

Branch Saddle

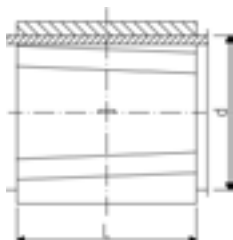


- Outlet with solvent cement socket metric
- For operating pressure up to 10 bar water
- Top saddle with rubber seal
- Seal: NBR (Nitrile-Rubber) shore hardness: 60 ±5 Shore A

d [mm]	Code	SP	GP	kg	d1 [mm]	d2 [mm]	L [mm]
63	161 111 035	1	4	0.699	40	22	105
63	161 111 036	1	4	0.730	50	22	105
75	161 111 046	1	4	0.797	50	31	105
90	161 111 055	1	12	0.826	40	31	105
90	161 111 056	1	12	0.856	50	31	105
110	161 111 065	1	12	0.935	40	31	105
110	161 111 066	1	12	0.949	50	40	105
110	161 111 067	1	12	0.995	63	40	105
160	161 111 095	1	8	1.430	40	31	120
160	161 111 096	1	8	1.260	50	40	120
160	161 111 097	1	8	1.300	63	40	120
225	161 111 116	1	-	1.587	50	40	120
225	161 111 117	1	-	1.624	63	40	120

21 110 200

Repair Saddle



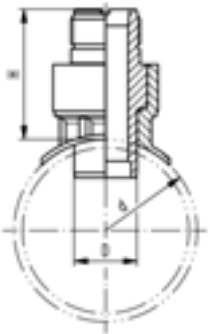
- For operating pressure up to 10 bar water
- For repair of damaged pipes
- Saddle valves can be solvent cemented
- Cementing only possible on dry mains without pressure

d [mm]	Code	SP	GP	kg	Max. pipe aperture [mm]	L [mm]
63	161 110 230	1	4	0.584	39	105
90	161 110 250	1	4	0.678	48	105
110	161 110 260	1	12	0.795	48	105
160	161 110 290	1	8	1.213	60	120
225	161 110 310	1	-	1.340	60	120

Sensor-Installation Fittings

21 31 20

Installation Fittings Type 312 PVC-U metric



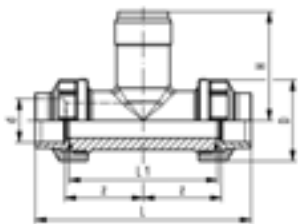
Model:

- For Signet paddlewheel sensors Type -X1 (137 mm) and Type -X2 (213 mm)
- Saddle with threaded outlet 5/4" NPSM

d [mm]	DN [mm]	PN	Code	SP	GP	kg	D [mm]	H [mm]	Sensor Type
75	65	10	721 312 012	-	-	0.220	38	89	X1
90	80	10	721 312 013	-	-	0.225	38	89	X1
110	100	10	721 312 014	-	-	0.226	38	89	X1
125	100	10	721 312 015	-	-	0.224	38	81	X1
140	125	10	721 312 016	-	-	0.211	38	79	X1
160	150	10	721 312 017	-	-	0.217	38	76	X1
200	200	10	721 312 019	-	-	0.199	38	69	X1
225	200	10	721 312 020	-	-	0.301	38	141	X2
250	250	10	721 312 021	-	-	0.298	38	137	X2
315	300	10	721 312 023	-	-	0.294	38	127	X2

21 31 00

Installation Fitting Type 310, PVC-U for Socket Systems metric



Model:

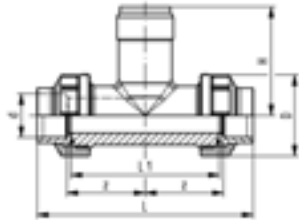
- For Signet Paddlewheel Sensors Type -X0 (104 mm)
- Union end with solvent cement socket PVC-U

d [mm]	DN [mm]	PN	EPDM Code	FPM Code	kg				
20	15	16	721 310 006	721 310 036	0.181				
25	20	16	721 310 007	721 310 037	0.244				
32	25	16	721 310 008	721 310 038	0.333				
40	32	16	721 310 009	721 310 039	0.440				
50	40	16	721 310 010	721 310 040	0.700				
63	50	16	721 310 011	721 310 041	1.011				

d [mm]	DN [mm]	D [mm]	z [mm]	L [mm]	L1 [mm]	H [mm]	Sensor Type
20	15	43	48	128	90	76	X0
25	20	51	53	144	100	78	X0
32	25	58	58	160	110	81	X0
40	32	72	58	168	110	85	X0
50	40	83	63	188	120	89	X0
63	50	100	68	212	130	95	X0

21 31 03

Installation Fitting Type 310, PVC-U for Socket Systems BS inch



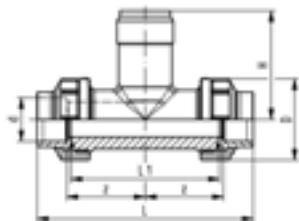
Model:

- For Signet Paddlewheel Sensors Type -X0 (104 mm)
- Union end with solvent cement socket PVC-U

DN [mm]	PN	EPDM Code	FPM Code	kg	D [mm]	z [mm]	L [mm]	L1 [mm]	H [mm]	Sensor Type
15	15	721 310 306	721 310 336	0.181	43	48	131	90	76	X0
20	15	721 310 307	721 310 337	0.244	51	53	147	100	78	X0
25	15	721 310 308	721 310 338	0.333	58	58	164	110	81	X0
32	15	721 310 309	721 310 339	0.440	72	58	171	110	85	X0
40	15	721 310 310	721 310 340	0.700	83	63	188	120	89	X0
50	15	721 310 311	721 310 341	1.011	100	68	211	130	95	X0

21 31 04

Installation Fitting Type 310, PVC-U for Socket Systems ASTM inch

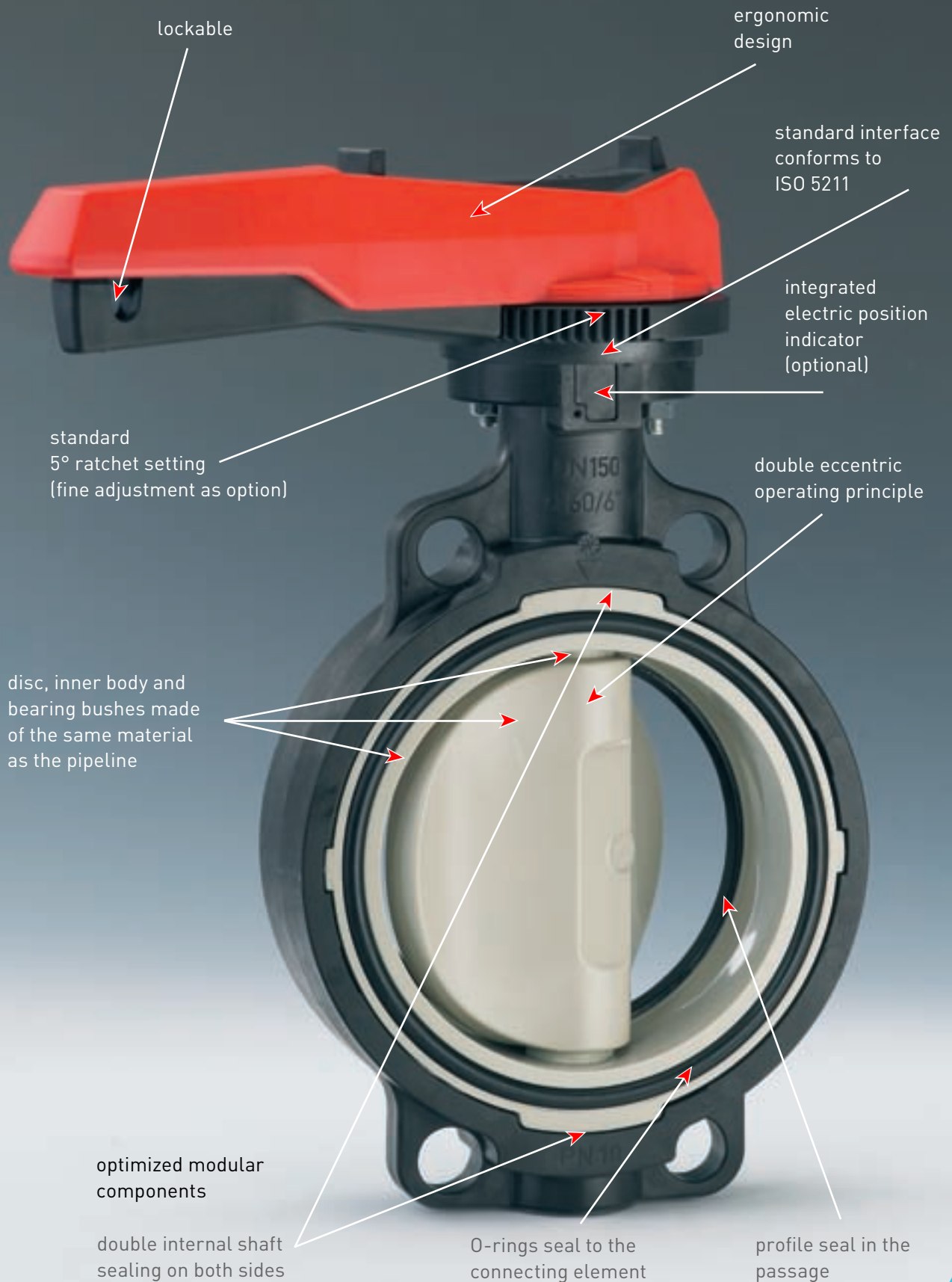


Model:

- For Signet Paddlewheel Sensors Type -X0 (104 mm)
- Union end with solvent cement socket PVC-U

DN [mm]	PN	EPDM Code	FPM Code	kg	D [mm]	z [mm]	L [mm]	L1 [mm]	H [mm]	Sensor Type
15	16	721 310 406	721 310 436	0.181	43	48	140	90	76	X0
20	16	721 310 407	721 310 437	0.244	51	53	156	100	78	X0
25	16	721 310 408	721 310 438	0.333	58	58	174	110	81	X0
32	16	721 310 409	721 310 439	0.440	72	58	180	110	85	X0
40	16	721 310 410	721 310 440	0.700	83	63	196	120	89	X0
50	16	721 310 411	721 310 441	1.011	100	68	212	130	95	X0

➤ A winner in every detail



Hand-Operated Valves

General Information

Material

The material PVC-U conforms with the corresponding recommendations of the German Federal board of Health.

Standards

All the main dimensions, such as nominal bore, z dimensions, socket depth and diameter, are in accordance with ISO Recommendations, ISO Draft Resolutions for millimetre pipes and DIN 8063.

Solvent cement joint	
ISO 727 DIN 3441 PrEN ISO 16135...16199 NF T54-028 PrEN ISO 21787	on request ANSI JIS BSI

Thread joint	Flange joint	
ISO 7-1 DIN 2999-9	DIN 2501/8063	on request ANSI JIS BSI

For PVC-U Valves in British Standard please request our special literature.

Joining

Solvent cement jointing:

Pipes with outside diameter tolerances in accordance with ISO 11922-3 can be readily jointed with GF Piping Systems Valves.

Threaded joint:

BSP parallel female threads are in accordance with ISO 7/1 or DIN 2999. Threaded plastic Valves should be jointed to plastics pipe or to other plastics parts. Jointing to metal pipe or fittings is permissible only where there is little stress, and should be carried out with great care.

Solvent Cement

A cement with gap-filling properties must be used.

Our instructions for solvent connections are based on the use of TANGIT solvent cement.

Nominal Pressure

see column PN

Marking

GF Piping Systems valves are marked as follows:

- +GF+
- pipe o.d.
- pipe nominal bore
- material
- pressure rating: PN ...

Overall length

When used with flange adaptors or union ends from GF Piping Systems, the lengths of valves correspond to EN 558-1. ISO 5752

Dimensions

All dimensions are given in mm.

Information Service

For detailed information see our Catalogue «Plastic Piping Systems».

Quality control conforming to DIN 3441, Part 1

The function and tightness of every valve are factory-tested. Testing is carried out with air under water.

Orders

Always quote the GF Piping Systems code number when placing orders.

Ordering example

8 ball valves 161 546 005

Ball valves 2-way

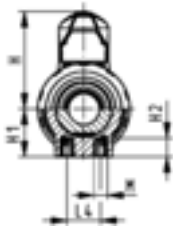
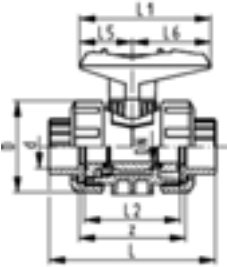
Ball valve type 546 PVC-U

With mounting inserts

With solvent cement sockets metric



DN10-50



Model:

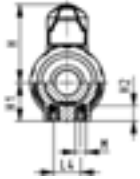
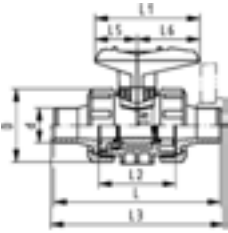
- For easy installation and removal
- Ball seals PTFE
- Integrated stainless steel mounting inserts
- Image and drawing DN65-100 please see **"New product ball valve DN65-100"**
- z-dimension, valve end and valve nut are **not compatible** with type 346 (DN10/15-50) resp. type 370 (DN65-100)

Option:

- Individual configuration of the valve (see form)
- Multifunctional module with integrated limit switches
- Pneumatic or electric actuators from +GF+

d [mm]	DN [mm]	PN	kv-value ($\Delta p=1$ bar) [l/min]	EPDM Code	FPM Code	GP	kg
16	10	16	71	161 546 061	161 546 071	10	0.150
20	15	16	185	161 546 062	161 546 072	10	0.150
25	20	16	350	161 546 063	161 546 073	10	0.230
32	25	16	700	161 546 064	161 546 074	10	0.330
40	32	16	1000	161 546 065	161 546 075	6	0.600
50	40	16	1600	161 546 066	161 546 076	6	0.800
63	50	16	3100	161 546 067	161 546 077	4	1.460
75	65	16	5000	161 546 068	161 546 078	-	4.900
90	80	16	7000	161 546 069	161 546 079	-	7.400
110	100	16	11000	161 546 070	161 546 080	-	11.600

d [mm]	D [mm]	H [mm]	H1 [mm]	H2 [mm]	L [mm]	L1 [mm]	L2 [mm]	L4 [mm]	L5 [mm]	L6 [mm]	M	z [mm]
16	50	57	27	12	92	77	56	25	32	45	6	64
20	50	57	27	12	95	77	56	25	32	45	6	64
25	58	67	30	12	110	97	65	25	39	58	6	72
32	68	73	36	12	123	97	71	25	39	58	6	79
40	84	90	44	15	146	128	85	45	54	74	8	94
50	97	97	51	15	157	128	89	45	54	74	8	95
63	124	116	64	15	183	152	101	45	66	87	8	107
75	166	149	85	15	233	270	136	70	64	206	8	144
90	200	161	105	15	254	270	141	70	64	206	8	151
110	238	178	123	22	301	320	164	120	64	256	12	174



Ball valve type 546 PVC-U With mounting inserts With solvent cement spigots metric

Model:

- For easy installation and removal
- Ball seals PTFE
- Integrated stainless steel mounting inserts
- Image and drawing DN65-100 please see **"New product ball valve DN65-100"**
- z-dimension, valve end and valve nut are **not compatible** with type 346 (DN10/15-50) resp. type 370 (DN65-100)

Option:

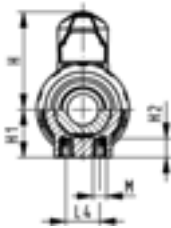
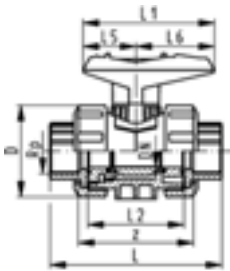
- Individual configuration of the valve (see form)
- Multifunctional module with integrated limit switches
- Pneumatic or electric actuators from +GF+

d [mm]	DN [mm]	PN	kv-value ($\Delta p=1$ bar) [l/min]	EPDM Code	FPM Code	GP	kg
16	10	16	71	161 546 721	161 546 731	10	0.157
20	15	16	185	161 546 722	161 546 732	10	0.157
25	20	16	350	161 546 723	161 546 733	10	0.242
32	25	16	700	161 546 724	161 546 734	10	0.347
40	32	16	1000	161 546 725	161 546 735	6	0.620
50	40	16	1600	161 546 726	161 546 736	6	0.845
63	50	16	3100	161 546 727	161 546 737	4	1.550
75	65	16	5000	161 546 728	161 546 738	-	5.100
90	80	16	7000	161 546 729	161 546 739	-	7.500
110	100	16	11000	161 546 730	161 546 740	-	11.900

d [mm]	D [mm]	H [mm]	H1 [mm]	H2 [mm]	L [mm]	L1 [mm]	L2 [mm]	L3 [mm]	L4 [mm]	L5 [mm]	L6 [mm]	M
16	50	57	27	12	114	77	56	130	25	32	45	M6
20	50	57	27	12	124	77	56	130	25	32	45	M6
25	58	67	30	12	144	97	65	150	25	39	58	M6
32	68	73	36	12	154	97	71	160	25	39	58	M6
40	84	90	44	15	174	128	85	180	45	54	74	M8
50	97	97	51	15	194	128	89	200	45	54	74	M8
63	124	116	64	15	224	152	101	230	45	66	87	M8
75	166	149	85	15	284	270	136	290	70	64	206	M8
90	200	161	105	15	300	270	141	310	70	64	206	M8
110	238	178	123	22	340	320	164	350	120	64	256	M12



DN10-50



Ball valve type 546 PVC-U With mounting inserts With threaded sockets Rp

Model:

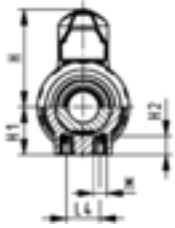
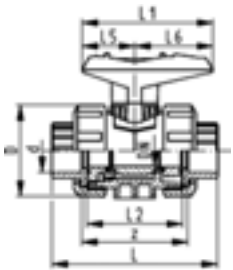
- For easy installation and removal
- Ball seals PTFE
- Integrated stainless steel mounting inserts
- Image and drawing DN65-100 please see **"New product ball valve DN65-100"**
- z-dimension, valve end and valve nut are **not compatible** with type 346 (DN10/15-50) resp. type 370 (DN65-100)

Option:

- Individual configuration of the valve (see form)
- Multifunctional module with integrated limit switches
- Pneumatic or electric actuators from +GF+

Rp [inch]	DN [mm]	PN	kv-value ($\Delta p=1$ bar) [l/min]	EPDM Code	FPM Code	GP	kg
3/8	10	10	71	161 546 741	161 546 751	10	0.152
1/2	15	10	185	161 546 742	161 546 752	10	0.152
3/4	20	10	350	161 546 743	161 546 753	10	0.232
1	25	10	700	161 546 744	161 546 754	10	0.332
1 1/4	32	10	1000	161 546 745	161 546 755	6	0.605
1 1/2	40	10	1600	161 546 746	161 546 756	6	0.805
2	50	10	3100	161 546 747	161 546 757	4	1.465
2 1/2	65	10	5000	161 546 748	161 546 758	-	5.000
3	80	10	7000	161 546 749	161 546 759	-	7.500
4	100	10	11000	161 546 750	161 546 760	-	11.700

Rp [inch]	D [mm]	H [mm]	H1 [mm]	H2 [mm]	L [mm]	L1 [mm]	L2 [mm]	L4 [mm]	L5 [mm]	L6 [mm]	M	z [mm]
3/8	50	57	27	12	95	77	56	25	32	45	M6	69
1/2	50	57	27	12	100	77	56	25	32	45	M6	67
3/4	58	67	30	12	114	97	65	25	39	58	M6	78
1	68	73	36	12	127	97	71	25	39	58	M6	85
1 1/4	84	90	44	15	146	128	85	45	54	74	M8	100
1 1/2	97	97	51	15	152	128	89	45	54	74	M8	106
2	124	116	64	15	177	152	101	45	66	87	M8	121
2 1/2	166	149	85	15	233	270	136	70	64	206	M8	144
3	200	161	105	15	254	270	141	70	64	206	M8	151
4	238	178	123	22	301	320	164	120	64	256	M12	174



Ball valve type 546 PVC-U With mounting inserts With fusion sockets PE100 metric

Model:

- For easy installation and removal
- Ball seals PTFE
- Integrated stainless steel mounting inserts
- z-dimension, valve end and valve nut are not compatible with type 346

Option:

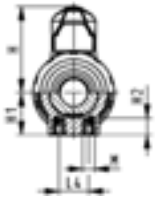
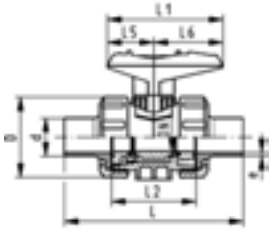
- Individual configuration of the valve (see form)
- Multifunctional module with integrated limit switches
- Pneumatic or electric actuators from +GF+

d [mm]	DN [mm]	PN	kv-value ($\Delta p=1$ bar) [l/min]	EPDM Code	FPM Code	kg	
16	10	16	71	161 546 761	161 546 771	0.150	
20	15	16	185	161 546 762	161 546 772	0.150	
25	20	16	350	161 546 763	161 546 773	0.220	
32	25	16	700	161 546 764	161 546 774	0.310	
40	32	16	1000	161 546 765	161 546 775	0.550	
50	40	16	1600	161 546 766	161 546 776	0.750	
63	50	16	3100	161 546 767	161 546 777	1.360	

d [mm]	D [mm]	H [mm]	H1 [mm]	H2 [mm]	L [mm]	L1 [mm]	L2 [mm]	L4 [mm]	L5 [mm]	L6 [mm]	M	z [mm]	
16	50	57	27	12	93	77	56	25	32	45	M6	67	
20	50	57	27	12	95	77	56	25	32	45	M6	66	
25	58	67	30	12	108	97	65	25	39	58	M6	77	
32	68	73	36	12	119	97	71	25	39	58	M6	83	
40	84	90	44	15	137	128	85	45	54	74	M8	99	
50	97	97	51	15	147	128	89	45	54	74	M8	105	
63	124	116	64	15	168	152	101	45	66	87	M8	113	



DN10/15 - 50



Ball valve type 546 PVC-U With mounting inserts With butt fusion spigots PE100 SDR11 metric

Model:

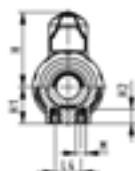
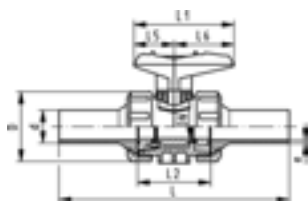
- For easy installation and removal
- Ball seals PTFE
- Integrated stainless steel mounting inserts
- z-dimension, valve end and valve nut are not compatible with type 346

Option:

- Individual configuration of the valve (see form)
- Multifunctional module with integrated limit switches
- Pneumatic or electric actuators from +GF+

d [mm]	DN [mm]	PN	kv-value ($\Delta p=1$ bar) [l/min]	EPDM Code	FPM Code	kg
20	15	16	185	161 546 782	161 546 792	0.150
25	20	16	350	161 546 783	161 546 793	0.220
32	25	16	700	161 546 784	161 546 794	0.310
40	32	16	1000	161 546 785	161 546 795	0.550
50	40	16	1600	161 546 786	161 546 796	0.750
63	50	16	3100	161 546 787	161 546 797	1.360

d [mm]	D [mm]	H [mm]	H1 [mm]	H2 [mm]	L [mm]	L1 [mm]	L2 [mm]	L4 [mm]	L5 [mm]	L6 [mm]	M	e [mm]
20	50	57	27	12	130	77	56	25	32	45	M6	1,9
25	58	67	30	12	134	97	65	25	39	58	M6	2,3
32	68	73	36	12	150	97	71	25	39	58	M6	3
40	84	90	44	15	171	128	85	45	54	74	M8	3,7
50	97	97	51	15	191	128	89	45	54	74	M8	4,6
63	124	116	64	15	220	152	101	45	66	87	M8	5,8



Ball valve type 546 PVC-U With mounting inserts With butt fusion spigots long PE100 SDR11 metric

Model:

- For easy installation and removal
- Ball seals PTFE
- Integrated stainless steel mounting inserts
- Image and drawing DN65-100 please see **"New product ball valve DN65-100"**
- z-dimension, valve end and valve nut are **not compatible** with type 346 (DN10/15-50) resp. type 370 (DN65-100)

Option:

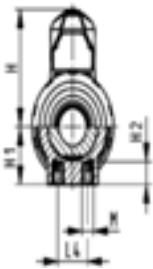
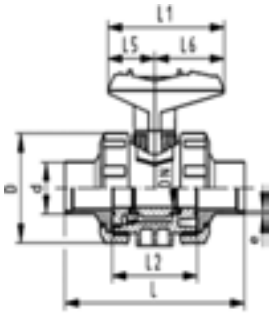
- Individual configuration of the valve (see form)
- Multifunctional module with integrated limit switches
- Pneumatic or electric actuators from +GF+

d [mm]	DN [mm]	PN	kv-value ($\Delta p=1$ bar) [l/min]	EPDM Code	FPM Code	kg
20	15	16	185	161 546 822	161 546 832	0.150
25	20	16	350	161 546 823	161 546 833	0.220
32	25	16	700	161 546 824	161 546 834	0.310
40	32	16	1000	161 546 825	161 546 835	0.550
50	40	16	1600	161 546 826	161 546 836	0.750
63	50	16	3100	161 546 827	161 546 837	1.360
75	65	16	5000	161 546 828	161 546 838	5.000
90	80	16	7000	161 546 829	161 546 839	7.500
110	100	16	11000	161 546 830	161 546 840	11.800

d [mm]	D [mm]	H [mm]	H1 [mm]	H2 [mm]	L [mm]	L1 [mm]	L2 [mm]	L4 [mm]	L5 [mm]	L6 [mm]	M	e [mm]
20	50	57	27	12	193	77	56	25	32	45	M6	2,3
25	58	67	30	12	216	97	65	25	39	58	M6	2,3
32	68	73	36	12	223	97	71	25	39	58	M6	3
40	84	90	44	15	249	128	85	45	54	74	M8	3,7
50	97	97	51	15	271	128	89	45	54	74	M8	4,6
63	124	116	64	15	321	152	101	45	66	87	M8	5,8
75	166	149	85	15	386	270	136	70	64	206	M8	6,8
90	200	161	105	15	421	270	141	70	64	206	M8	8,2
110	238	178	123	22	484	320	164	120	64	256	M12	10



DN10/15 - 50



Ball valve type 546 PVC-U With mounting inserts With butt fusion spigots PE100 SDR17.6 metric

Model:

- For easy installation and removal
- Ball seals PTFE
- Integrated stainless steel mounting inserts
- z-dimension, valve end and valve nut are not compatible with type 346

Option:

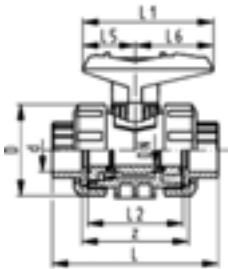
- Individual configuration of the valve (see form)
- Multifunctional module with integrated limit switches
- Pneumatic or electric actuators from +GF+

d [mm]	DN [mm]	PN	kv-value ($\Delta p=1$ bar) [l/min]	EPDM Code	FPM Code	kg
40	32	10	1000	161 546 805	161 546 815	0.550
50	40	10	1600	161 546 806	161 546 816	0.750
63	50	10	3100	161 546 807	161 546 817	1.360

d [mm]	D [mm]	H [mm]	H1 [mm]	H2 [mm]	L [mm]	L1 [mm]	L2 [mm]	L4 [mm]	L5 [mm]	L6 [mm]	M	e [mm]
40	84	90	44	15	171	128	85	45	54	74	M8	2,3
50	97	97	51	15	191	128	89	45	54	74	M8	2,9
63	124	116	64	15	220	152	101	45	66	87	M8	3,6



DN10-50



Ball valve type 546 PVC-U without mounting inserts With solvent cement sockets metric

Model:

- For easy installation and removal
- Ball seals PTFE
- Without mounting inserts
- Image and drawing DN65-100 please see **"New product ball valve DN65-100"**
- z-dimension, valve end and valve nut are **not compatible** with type 346 (DN10/15-50) resp. type 370 (DN65-100)

Option:

- Individual configuration of the valve (see form)
- Multifunctional module with integrated limit switches
- Pneumatic or electric actuators from +GF+

d [mm]	DN [mm]	PN	kv-value ($\Delta p=1$ bar) [l/min]	EPDM Code	FPM Code	GP	kg
16	10	16	71	161 546 001	161 546 011	10	0.150
20	15	16	185	161 546 002	161 546 012	10	0.150
25	20	16	350	161 546 003	161 546 013	10	0.230
32	25	16	700	161 546 004	161 546 014	10	0.330
40	32	16	1000	161 546 005	161 546 015	6	0.600
50	40	16	1600	161 546 006	161 546 016	6	0.800
63	50	16	3100	161 546 007	161 546 017	4	1.460
75	65	16	5000	161 546 008	161 546 018	-	4.900
90	80	16	7000	161 546 009	161 546 019	-	7.400
110	100	16	11000	161 546 010	161 546 020	-	11.600

d [mm]	D [mm]	H [mm]	H1 [mm]	L [mm]	L1 [mm]	L2 [mm]	L4 [mm]	L5 [mm]	L6 [mm]	z [mm]
16	50	57	27	92	77	56	25	32	45	64
20	50	57	27	95	77	56	25	32	45	64
25	58	67	30	110	97	65	25	39	58	72
32	68	73	36	123	97	71	25	39	58	79
40	84	90	44	146	128	85	45	54	74	94
50	97	97	51	157	128	89	45	54	74	95
63	124	116	64	183	152	101	45	66	87	107
75	166	149	85	233	270	136	70	64	206	144
90	200	161	105	254	270	141	70	64	206	151
110	238	178	123	301	320	164	120	64	256	174



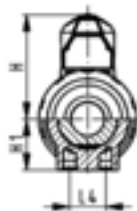
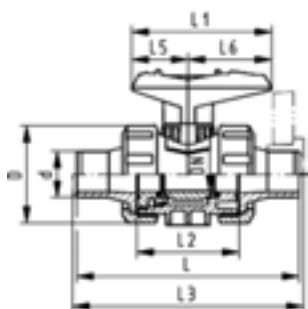
Ball valve type 546 PVC-U without mounting inserts With solvent cement spigots metric




Model:




- For easy installation and removal
- Ball seals PTFE
- Without mounting inserts
- Image and drawing DN65-100 please see **"New product ball valve DN65-100"**
- z-dimension, valve end and valve nut are **not compatible** with type 346 (DN10/15-50) resp. type 370 (DN65-100)

Option:

- Individual configuration of the valve (see form)
- Multifunctional module with integrated limit switches
- Pneumatic or electric actuators from +GF+

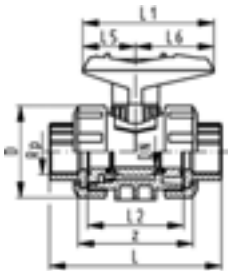


d [mm]	DN [mm]	PN	kv-value ($\Delta p=1$ bar) [l/min]	EPDM Code	FPM Code	GP	kg
16	10	16	71	161 546 041	161 546 051	10	0.155
20	15	16	185	161 546 042	161 546 052	10	0.155
25	20	16	350	161 546 043	161 546 053	10	0.240
32	25	16	700	161 546 044	161 546 054	10	0.345
40	32	16	1000	161 546 045	161 546 055	6	0.615
50	40	16	1600	161 546 046	161 546 056	6	0.840
63	50	16	3100	161 546 047	161 546 057	4	1.545
 75	65	16	5000	161 546 048	161 546 058	-	5.100
 90	80	16	7000	161 546 049	161 546 059	-	7.500
 110	100	16	11000	161 546 050	161 546 060	-	11.900

d [mm]	D [mm]	H [mm]	H1 [mm]	L [mm]	L1 [mm]	L2 [mm]	L3 [mm]	L4 [mm]	L5 [mm]	L6 [mm]
16	50	57	27	114	77	56		25	32	45
20	50	57	27	124	77	56	130	25	32	45
25	58	67	30	144	97	65	150	25	39	58
32	68	73	36	154	97	71	160	25	39	58
40	84	90	44	174	128	85	180	45	54	74
50	97	97	51	194	128	89	200	45	54	74
63	124	116	64	224	152	101	230	45	66	87
 75	166	149	85	284	270	136	290	70	64	206
 90	200	161	105	300	270	141	310	70	64	206
 110	238	178	123	340	320	164	350	120	64	256



DN10-50



Ball valve type 546 PVC-U without mounting inserts With threaded sockets Rp

Model:

- For easy installation and removal
- Ball seals PTFE
- Without mounting inserts
- Image and drawing DN65-100 please see **"New product ball valve DN65-100"**
- z-dimension, valve end and valve nut are **not compatible** with type 346 (DN10/15-50) resp. type 370 (DN65-100)

Option:

- Individual configuration of the valve (see form)
- Multifunctional module with integrated limit switches
- Pneumatic or electric actuators from +GF+

Rp [inch]	DN [mm]	PN	kv-value ($\Delta p=1$ bar) [l/min]	EPDM Code	FPM Code	GP	kg
3/8	10	10	71	161 546 021	161 546 031	10	0.150
1/2	15	10	185	161 546 022	161 546 032	10	0.150
3/4	20	10	350	161 546 023	161 546 033	10	0.230
1	25	10	700	161 546 024	161 546 034	10	0.330
1 1/4	32	10	1000	161 546 025	161 546 035	6	0.600
1 1/2	40	10	1600	161 546 026	161 546 036	6	0.800
2	50	10	3100	161 546 027	161 546 037	4	1.460
2 1/2	65	10	5000	161 546 028	161 546 038	-	5.000
3	80	10	7000	161 546 029	161 546 039	-	7.500
4	100	10	11000	161 546 030	161 546 040	-	11.700

Rp [inch]	D [mm]	H [mm]	H1 [mm]	L [mm]	L1 [mm]	L2 [mm]	L4 [mm]	L5 [mm]	L6 [mm]	z [mm]
3/8	50	57	27	95	77	56	25	32	45	69
1/2	50	57	27	100	77	56	25	32	45	67
3/4	58	67	30	114	97	65	25	39	58	78
1	68	73	36	127	97	71	25	39	58	85
1 1/4	84	90	44	146	128	85	45	54	74	100
1 1/2	97	97	51	152	128	89	45	54	74	106
2	124	116	64	177	152	101	45	66	87	121
2 1/2	166	149	85	233	270	136	70	64	206	144
3	200	161	105	254	270	141	70	64	206	151
4	238	178	123	301	320	164	120	64	256	174



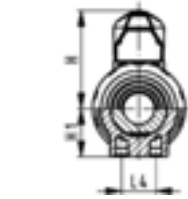
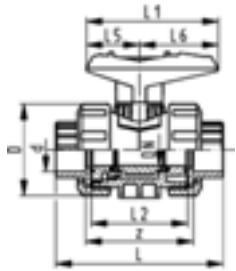
Ball valve type 546 PVC-U without mounting inserts With fusion sockets PE100 metric

Model:

- For easy installation and removal
- Ball seals PTFE
- Without mounting inserts
- z-dimension, valve end and valve nut are not compatible with type 346

Option:

- Individual configuration of the valve (see form)
- Multifunctional module with integrated limit switches
- Pneumatic or electric actuators from +GF+

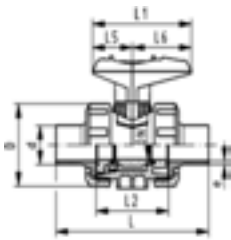


d [mm]	DN [mm]	PN	kv-value ($\Delta p=1$ bar) [l/min]	EPDM Code	FPM Code	GP	kg
16	10	16	71	800 000 101	800 000 111	-	0.170
20	15	16	185	800 000 102	800 000 112	-	0.170
25	20	16	350	800 000 103	800 000 113	-	0.240
32	25	16	700	800 000 104	800 000 114	-	0.340
40	32	16	1000	800 000 105	800 000 115	-	0.610
50	40	16	1600	800 000 106	800 000 116	-	0.850
63	50	16	3100	800 000 107	800 000 117	-	1.550

d [mm]	D [mm]	H [mm]	H1 [mm]	L [mm]	L1 [mm]	L2 [mm]	L4 [mm]	L5 [mm]	L6 [mm]	z [mm]
16	50	57	27	93	77	56	25	32	45	67
20	50	57	27	95	77	56	25	32	45	66
25	58	67	30	108	97	65	25	39	58	77
32	68	73	36	119	97	71	25	39	58	83
40	84	90	44	137	128	85	45	54	74	99
50	97	97	51	147	128	89	45	54	74	105
63	124	116	64	168	152	101	45	66	87	113



DN10/15 - 50



Ball valve type 546 PVC-U without mounting inserts With butt fusion spigots PE100 SDR11 metric

Model:

- For easy installation and removal
- Ball seals PTFE
- Without mounting inserts
- z-dimension, valve end and valve nut are not compatible with type 346

Option:

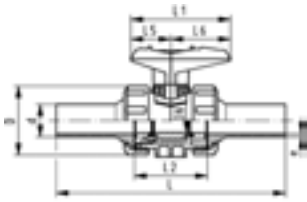
- Individual configuration of the valve (see form)
- Multifunctional module with integrated limit switches
- Pneumatic or electric actuators from +GF+

d [mm]	DN [mm]	PN	kv-value ($\Delta p=1$ bar) [l/min]	EPDM Code	FPM Code	GP	kg
20	15	16	185	800 000 142	800 000 152	-	0.160
25	20	16	350	800 000 143	800 000 153	-	0.240
32	25	16	700	800 000 144	800 000 154	-	0.340
40	32	16	1000	800 000 145	800 000 155	-	0.600
50	40	16	1600	800 000 146	800 000 156	-	0.830
63	50	16	3100	800 000 147	800 000 157	-	1.560

d [mm]	D [mm]	H [mm]	H1 [mm]	L [mm]	L1 [mm]	L2 [mm]	L4 [mm]	L5 [mm]	L6 [mm]	e [mm]
20	50	57	27	130	77	56	25	32	45	1,9
25	58	67	30	134	97	65	25	39	58	2,3
32	68	73	36	150	97	71	25	39	58	3
40	84	90	44	171	128	85	45	54	74	3,7
50	97	97	51	191	128	89	45	54	74	4,6
63	124	116	64	220	152	101	45	66	87	5,8



DN10/15 - 50



Ball valve type 546 PVC-U without mounting inserts With butt fusion spigots long PE100 SDR11 metric

Model:

- For easy installation and removal
- Ball seals PTFE
- Without mounting inserts
- Image and drawing DN65-100 please see "New product ball valve DN65-100"
- z-dimension, valve end and valve nut are **not compatible** with type 346 (DN10/15-50) resp. type 370 (DN65-100)

Option:

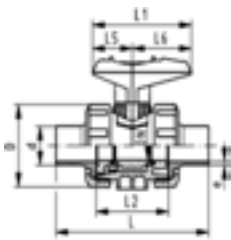
- Individual configuration of the valve (see form)
- Multifunctional module with integrated limit switches
- Pneumatic or electric actuators from +GF+

d [mm]	DN [mm]	PN	kv-value ($\Delta p=1$ bar) [l/min]	EPDM Code	FPM Code	GP	kg
20	15	16	185	800 000 282	800 000 292	-	0.170
25	20	16	350	800 000 283	800 000 293	-	0.250
32	25	16	700	800 000 284	800 000 294	-	0.370
40	32	16	1000	800 000 285	800 000 295	-	0.640
50	40	16	1600	800 000 286	800 000 296	-	0.910
63	50	16	3100	800 000 287	800 000 297	-	1.680
75	65	16	5000	800 000 288	800 000 298	-	5.000
90	80	16	7000	800 000 289	800 000 299	-	7.500
110	100	16	11000	800 000 290	800 000 300	-	11.800

d [mm]	D [mm]	H [mm]	H1 [mm]	L [mm]	L1 [mm]	L2 [mm]	L4 [mm]	L5 [mm]	L6 [mm]	e [mm]
20	50	57	27	193	77	56	25	32	45	2,25
25	58	67	30	216	97	65	25	39	58	2,3
32	68	73	36	223	97	71	25	39	58	3
40	84	90	44	249	128	85	45	54	74	3,7
50	97	97	51	271	128	89	45	54	74	4,6
63	124	116	64	321	152	101	45	66	87	5,8
75	166	149	85	386	270	136	70	64	206	6.8
90	200	161	105	421	270	141	70	64	206	8.2
110	238	178	123	484	320	164	120	64	256	10



DN10/15 - 50



Ball valve type 546 PVC-U without mounting inserts With butt fusion spigots PE100 SDR17.6 metric

Model:

- For easy installation and removal
- Ball seals PTFE
- Without mounting inserts
- z-dimension, valve end and valve nut are not compatible with type 346

Option:

- Individual configuration of the valve (see form)
- Multifunctional module with integrated limit switches
- Pneumatic or electric actuators from +GF+

d [mm]	DN [mm]	PN	kv-value ($\Delta p=1$ bar) [l/min]	EPDM Code	FPM Code	GP	kg
40	32	10	1000	800 000 125	800 000 135	-	0.600
50	40	10	1600	800 000 126	800 000 136	-	0.830
63	50	10	3100	800 000 127	800 000 137	-	1.560

d [mm]	D [mm]	H [mm]	H1 [mm]	L [mm]	L1 [mm]	L2 [mm]	L4 [mm]	L5 [mm]	L6 [mm]	e [mm]
40	84	90	44	171	128	85	45	54	74	2,3
50	97	97	51	191	128	89	45	54	74	2,9
63	124	116	64	220	152	101	45	66	87	3,6



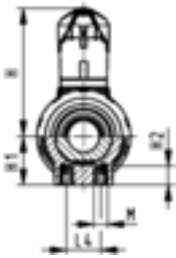
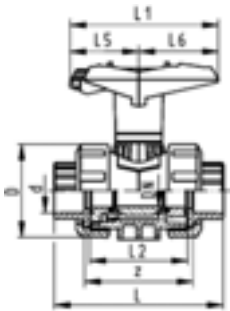
Ball valve type 546 PVC-U With lockable handle With solvent cement sockets metric

Model:

- Image and drawing DN65-100 please see "New product ball valve DN65-100"
- For easy installation and removal
- z-dimension, valve end and valve nut are **not compatible** with type 346 (DN10/15-50) resp. type 370 (DN65-100)
- Ball seals PTFE
- Integrated stainless steel mounting inserts
- Lockable hand lever with ratchet settings

Option:

- Individual configuration of the valve (see form)
- Multifunctional module with integrated limit switches
- Pneumatic or electric actuators from +GF+



d [mm]	DN [mm]	PN	kv-value ($\Delta p=1$ bar) [l/min]	EPDM Code	FPM Code	GP	kg
16	10	16	71	161 546 081	161 546 091	10	0.165
20	15	16	185	161 546 082	161 546 092	10	0.165
25	20	16	350	161 546 083	161 546 093	10	0.255
32	25	16	700	161 546 084	161 546 094	6	0.355
40	32	16	1000	161 546 085	161 546 095	6	0.640
50	40	16	1600	161 546 086	161 546 096	4	0.840
63	50	16	3100	161 546 087	161 546 097	4	1.500
75	65	16	5000	161 546 088	161 546 098	-	5.200
90	80	16	7000	161 546 089	161 546 099	-	7.700
110	100	16	11000	161 546 090	161 546 100	-	12.000

d [mm]	D [mm]	H [mm]	H1 [mm]	H2 [mm]	L [mm]	L1 [mm]	L2 [mm]	L4 [mm]	L5 [mm]	L6 [mm]	M	z [mm]
16	50	79	27	12	92	87	56	25	42	45	M6	64
20	50	79	27	12	95	87	56	25	42	45	M6	64
25	58	88	30	12	110	108	65	25	50	58	M6	72
32	68	94	36	12	123	108	71	25	50	58	M6	79
40	84	113	44	15	146	140	85	45	66	75	M8	94
50	97	119	51	15	157	140	89	45	66	75	M8	95
63	124	141	64	15	183	165	101	45	78	87	M8	107
75	166	224	85	15	233	270	136	70	64	206	M8	144
90	200	235	105	15	254	270	141	70	64	206	M8	151
110	238	245	123	22	301	320	164	120	64	256	M12	174



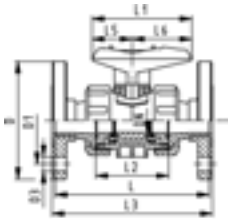
Ball valve type 546 PVC-U without mounting inserts With fixed flanges PVC-U serrated metric

Model:

- For easy installation and removal
- Ball seals PTFE
- Without mounting inserts
- z-dimension, valve end and valve nut are not compatible with type 346
- Overall length according to EN 558
- Connecting dimension: ISO 7005 PN10, EN 1092 PN10, DIN 2501 PN10

Option:

- Individual configuration of the valve (see form)
- Multifunctional module with integrated limit switches
- Pneumatic or electric actuators from +GF+



d [mm]	DN [mm]	PN	kv-value ($\Delta p=1$ bar) [l/min]	EPDM Code	FPM Code	GP	kg
20	15	16	185	800 000 182	800 000 192	-	0.370
25	20	16	350	800 000 183	800 000 193	-	0.510
32	25	16	700	800 000 184	800 000 194	-	0.740
40	32	16	1000	800 000 185	800 000 195	-	1.230
50	40	16	1600	800 000 186	800 000 196	-	1.610
63	50	16	3100	800 000 187	800 000 197	-	2.710

d [mm]	D [mm]	D1 [mm]	D3 [mm]	H [mm]	H1 [mm]	L [mm]	L1 [mm]	L2 [mm]	L3 [mm]	L4 [mm]	L5 [mm]	L6 [mm]
20	95	65	14	57	27	124	77	56	130	25	32	45
25	105	75	14	67	30	144	97	65	150	25	39	58
32	115	85	14	73	36	154	97	71	160	25	39	58
40	140	100	18	90	44	174	128	85	180	45	54	74
50	150	110	18	97	51	194	128	89	200	45	54	74
63	165	125	18	116	64	224	152	101	230	45	66	87

Component for Parts for Flange Assembly of Ball Vaves Type 546

21 79 01

Flange Adaptors, PVC-U Combined Jointing face flat and serrated, metric

d [mm]	DN [mm]	PN	Code	GP	kg
20	15	16	721 800 106	100	0.011
25	20	16	721 800 107	100	0.015
32	25	16	721 800 108	100	0.024
40	32	16	721 800 109	100	0.038
50	40	16	721 800 110	50	0.058
63	50	16	721 790 111	50	0.103
75	65	16	721 790 112	-	0.155
90	80	16	721 790 113	-	0.254
110	100	16	721 790 114	-	0.418

EPDM 48 40 00
FPM 49 40 00

Flat Gaskets

d [mm]	DN [mm]	Inch	PN	EPDM Code	FPM Code	GP	kg
20	15	½	10	748 400 015	749 400 015	-	0.003
25	20	¾	10	748 400 016	749 400 016	-	0.003
32	25	1	10	748 400 017	749 400 017	-	0.004
40	32	1 ¼	10	748 400 018	749 400 018	-	0.008
50	40	1 ½	10	748 400 019	749 400 019	-	0.012
63	50	2	10	748 400 020	749 400 020	-	0.017
75	65	2 ½	10	748 400 021	749 400 021	-	0.024
90	80	3	10	748 400 022	749 400 022	-	0.032
110	100	4	10	748 400 023	749 400 023	-	0.062

Profile Flange Gaskets, metric

d [mm]	EPDM Code	FPM Code	kg
20	748 440 101	749 440 101	0.008
25	748 440 102	749 440 102	0.011
32	748 440 103	749 440 103	0.014
40	748 440 104	749 440 104	0.020
50	748 440 105	749 440 105	0.021
63	748 440 106	749 440 106	0.040
75	748 440 107	749 440 107	0.054
90	748 440 108	749 440 108	0.060
110	748 440 109	749 440 109	0.083

21 70 00

Backing Flanges, PVC-U metric

d [mm]	DN [mm]	Inch	PN	Code	GP	kg
20	15	½	10	721 700 006	-	0.069
25	20	¾	10	721 700 007	-	0.092
32	25	1	10	721 700 008	-	0.132
40	32	1 ¼	10	721 700 009	-	0.194
50	40	1 ½	10	721 700 010	-	0.245
63	50	2	10	721 700 011	-	0.311
75	65	2 ½	10	721 700 012	-	0.375
90	80	3	10	721 700 013	-	0.471
110	100	4	10	721 700 014	-	0.554

27 70 04
27 70 05

Backing Flanges, PP-V for Socket Systems metric

d [mm]	Inch	DN [mm]	PN	Code	GP	kg
20		15	16	727 700 406	-	0.080
25		20	16	727 700 407	-	0.100
32		25	16	727 700 408	-	0.140
40		32	16	727 700 409	-	0.220
50		40	16	727 700 410	-	0.210
63		50	16	727 700 411	-	0.380
75		65	16	727 700 412	-	0.480
90		80	16	727 700 413	-	0.520
110		100	16	727 700 414	-	0.680

27 70 02

Backing Flanges, PP/Steel for Socket Systems metric

d [mm]	DN [mm]	PN	Code	kg
20	15	16	727 700 206	0.220
25	20	16	727 700 207	0.260
32	25	16	727 700 208	0.430
40	32	16	727 700 209	0.650
50	40	16	727 700 210	0.820
63	50	16	727 700 211	0.940
75	65	16	727 700 212	1.300
90	80	16	727 700 213	1.400
110	100	16	727 700 214	1.560

21 74 01

Fixed Flanges, PVC-U Jointing face serrated, metric

d [mm]	DN [mm]	Inch	PN	Code	GP	kg
20	15	1/2	16	721 740 106	-	0.100
25	20	3/4	16	721 740 107	-	0.130
32	25	1	16	721 740 108	-	0.185
40	32	1 1/4	16	721 740 109	-	0.305
50	40	1 1/2	16	721 740 110	-	0.368
63	50	2	16	721 740 111	-	0.510
75	65	2 1/2	10	721 740 112	-	0.520
90	80	3	10	721 740 113	-	0.720
110	100	4	10	721 740 114	-	0.920

Find the fitting solution with the Configurator

Ball valve

A01 Ball valve 546

Material

B01 PVC-U

Dimension

C05 DN 10 3/8"
C06 DN 15 1/2"
C07 DN 20 3/4"
C08 DN 25 1"
C09 DN 32 1 1/4"
C10 DN 40 1 1/2"
C11 DN 50 2"

Version

D01 standard, PTFE ball seal
D02 oilfree, PTFE ball seal
D03 silicon-free / paint compatible, PTFE ball seal for inch ASTM
D04 silicon-free / paint compatible, PVDF ball seal for metric

Seals

E01 EPDM seals
E02 FPM seals

Threaded inserts

F01 without threaded inserts
F02 with threaded inserts

Connecting parts

G01 PVC-U Cement socket metric
G02 PVC-U Cement socket JIS
G03 PVC-U Cement socket inch ASTM
G04 PVC-U Cement socket inch BS
G05 PVC-U Cement spigot metric
G06 PVC-U Threaded socket Rp
G07 PVC-U Threaded socket Rp reinforced
G08 PVC-U Threaded socket Rc
G09 PVC-U Threaded socket NPT
G30 PP-H Fusion socket metric
G32 PP-H Socket fusion spigot metric
G33 PP-H Threaded socket Rp reinforced
G34 PP-H Threaded socket NPT reinforced
G35 PP-H Butt fusion spigot SDR11 metric IR-PLUS
G36 PP-H Butt fusion spigot SDR17.6 metric
G37 PP-H Butt fusion spigot long SDR11 metric
G40 PE-100 Fusion socket metric
G41 PE-100 Butt fusion spigot SDR11 metric
G42 PE-100 Butt fusion spigot SDR17.6 metric
G43 PE-100 Butt fusion spigot long SDR11 metric
G60 Fixed flange PVC-U serrated metric
G61 Fixed flange PVC-U flat metric
G62 Fixed flange PVC-U JIS
G70 Backing flange PVC-U metric
G71 Backing flange PVC-U inch ANSI
G72 Backing flange PP-steel metric

Multi-functional module

I01 No multi-functional module
I02 Empty multi-functional module
I03 Module with 2 limit switches Ag, Ni
I04 Module with 2 limit switches Au
I05 Module with 2 inductive switches Namur
I06 Module with 2 inductive switches PNP
I07 Module with 2 inductive switches NPN

Handle

K01 Standard handle red
K02 Standard handle black
K11 Multi-functional handle red

Mounting plate

L01 without mounting plate
L02 with mounting plate

Example:

Type 546 PVC-U, dimension DN 32
PTFE ball seal, EPDM seals,
with threaded inserts and mounting plate,
connecting part left: PVC-U cement socket metric,
right: PE-100 butt fusion spigot lang SDR11 metric

That's all it takes to configure your ball valve.



Pneumatische Antriebe PA11/PA21

P01 PA 11/21 FC
P02 PA 11/21 FO
P03 PA 11/21 DA

Manual override

Q01 without manual override
Q02 with manual override

Stroke limiter

R01 without stroke limiter
R02 with stroke limiter

A01 B01 C09 D01 E01 F02 G01 G41 I05 K L01

left right

P02 Q01 R01 =



Copiable

Configurator +GF+ Ball Valve Type 546 PVC-U

Ball valve										
A01 Ball valve 546										
A02 Linear Ball Valve 110										
Material										
B01 PVC-U										
Dimension										
C05 DN 10 3/8"										
C06 DN 15 1/2"										
C07 DN 20 3/4"										
C08 DN 25 1"										
C09 DN 32 1 1/4"										
C10 DN 40 1 1/2"										
C11 DN 50 2"										
Version										
D01 standard, PTFE ball seal										
D02 oilfree, PTFE ball seal										
D03 silicon-free / paint compatible, PTFE ball seal for inch ASTM										
D04 silicon-free / paint compatible, PVDF ball seal for metric										
Seals										
E01 EPDM seals										
E02 FPM seals										
E03 FFPM (Kalrez) seals										
Threaded inserts										
F01 without threaded inserts										
F02 with threaded inserts										
Connection parts										
G01 PVC-U Cement socket metric										
G02 PVC-U Cement socket JIS										
G03 PVC-U Cement socket inch ASTM										
G04 PVC-U Cement socket inch BS										
G05 PVC-U Cement spigot metric										
G06 PVC-U Threaded socket Rp										
G07 PVC-U Threaded socket Rp reinforced										
G08 PVC-U Threaded socket Rc										
G09 PVC-U Threaded socket NPT										
G30 PP-H Fusion socket metric										
G32 PP-H Socket fusion spigot metric										
G33 PP-H Threaded socket Rp reinforced										
G34 PP-H Threaded socket NPT reinforced										
G35 PP-H Butt fusion spigot SDR11 metric IR-PLUS										
G36 PP-H Butt fusion spigot SDR17.6 metric										
G37 PP-H Butt fusion spigot long SDR11 metric										
G40 PE-100 Fusion socket metric										
G41 PE-100 Butt fusion spigot SDR11 metric										
G42 PE-100 Butt fusion spigot SDR17.6 metric										
G43 PE-100 Butt fusion spigot long SDR11 metric										
G60 Fixed flange PVC-U serrated metric										
G61 Fixed flange PVC-U flat metric										
G62 Fixed flange PVC-U JIS										
G70 Backing flange PVC-U metric										
G71 Backing flange PVC-U inch ANSI										
G72 Backing flange PP-steel metric										
G73 Backing flange PP-steel inch ANSI										
G80 PVC-U Valve end blank										
Multi-funktional module										
I01 No multi-funktional module										
I02 Empty multi-funktional module										
I03 Module with 2 limit switches Ag, Ni										
I04 Module with 2 limit switches Au										
I05 Module with 2 inductive switches Namur										
I06 Module with 2 inductive switches PNP										
I07 Module with 2 inductive switches NPN										
Handle										
K01 Standard handle red										
K02 Standard handle black										
K11 Multi-funktional handle red										
Mounting plate										
L01 without mounting plate										
L02 with mounting plate										
A01	B01	C	D	E	F	G	G	I	K	L

left right

You will find a large selection of different versions in our range of products. New system elements also provide you with new opportunities for use. In order for us to supply exactly the ball valve you need for your application, we put together a selection menu for you (the maximum working pressure of the whole valve is determined by the maximum permissible nominal pressure of the connection part).

We supply what you put together.

Spare parts for ball valve type 546 PVC-U (DN10/15-50)



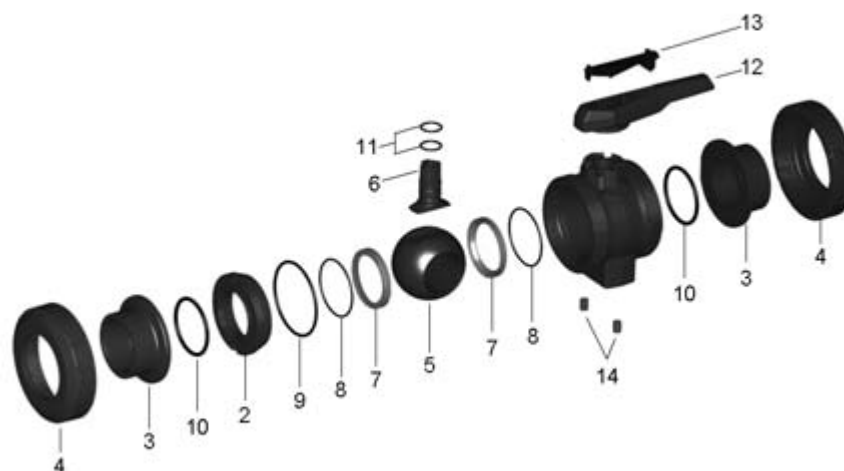
No.	Article / Material	Pieces	d16 DN10	d20 DN15	d25 DN20	d32 DN25	d40 DN32	d50 DN40	d63 DN50
	Central part		161 486 151	161 486 151	161 486 152	161 486 153	161 486 154	161 486 155	161 486 156
1	Body PVC-U	1							
2	PVC-U	1							
5	Ball PVC-U	1							
6	Stem PVC-U	1							
7	Ball seal PTFE	2							
8	Backing seal EPDM	2							
9	Body seal EPDM	1							
10	Face seal EPDM	2							
11	Stem seal EPDM	2							
12	Lever PP red	1							
14	Threaded bush Stainless steel	2							
	Central part		161 486 163	161 486 163	161 486 164	161 486 165	161 486 166	161 486 167	161 486 168
1	Body PVC-U	1							
2	PVC-U	1							
5	Ball PVC-U	1							
6	Stem PVC-U	1							
7	Ball seal PTFE	2							
8	Backing seal FPM	2							
9	Body seal FPM	1							
10	Face seal FPM	2							
11	Stem seal FPM	2							
12	Lever PP red	1							
14	Threaded bush Stainless steel	2							
	Ball set		161 486 375	161 486 375	161 486 376	161 486 377	161 486 378	161 486 379	161 486 380
5	Ball PVC-U	1							
6	Stem EPDM	1							
7	Ball seal PTFE	2							
8	Backing seal EPDM	2							
9	Body seal EPDM	1							
11	Stem seal EPDM	2							

No.	Article / Material	Pieces	d16 DN10	d20 DN15	d25 DN20	d32 DN25	d40 DN32	d50 DN40	d63 DN50
5	Ball set		161 486 385	161 486 385	161 486 386	161 486 387	161 486 388	161 486 389	161 486 390
6	Ball PVC-U	1							
7	Stem FPM	1							
8	Ball seal PTFE	2							
8	Backing seal FPM	2							
9	Body seal FPM	1							
11	Stem seal FPM	2							
8	Seal set		161 486 400	161 486 400	161 486 401	161 486 402	161 486 403	161 486 404	161 486 405
9	Backing seal EPDM	2							
10	Body seal EPDM	1							
11	Face seal EPDM	2							
11	Stem seal EPDM	2							
8	Seal set		161 486 410	161 486 410	161 486 411	161 486 412	161 486 413	161 486 414	161 486 415
9	Backing seal FPM	2							
10	Body seal FPM	1							
11	Face seal FPM	2							
11	Stem seal FPM	2							
3	Connecting piece 546 PVC-U (G01) with solvent cement socket metric	1	161 490 666	161 490 667	161 490 668	161 490 669	161 490 670	161 490 671	161 490 672
3	Connecting piece 546 PVC-U (G03) with solvent cement socket Inch ASTM	1	161 490 712	161 490 713	161 490 714	161 490 715	161 490 716	161 490 717	161 490 718
3	Connecting piece 546 PVC-U (G04) with solvent cement socket Inch BS	1	161 490 734	161 490 735	161 490 736	161 490 737	161 490 738	161 490 739	161 490 740
3	Connecting piece 546 PVC-U (G05) with solvent cement spigot metric	1	161 490 701	161 490 702	161 490 703	161 490 704	161 490 705	161 490 706	161 490 707
3	Connecting piece 546 PVC-U (G06) with threaded socket Rp	1	161 490 690	161 490 691	161 490 692	161 490 693	161 490 694	161 490 695	161 490 696
3	Connecting piece 546 PVC-U (G07) with threaded socket Rp fortified	1	161 490 825	161 490 826	161 490 827	161 490 828	161 490 829	161 490 830	161 490 831
3	Connecting piece 546 PVC-U (G08) with threaded socket NPT	1	161 490 723	161 490 724	161 490 725	161 490 726	161 490 727	161 490 728	161 490 729
3	Connecting piece 546 PP-H (G30) with fusion socket metric	1	167 482 900	167 482 901	167 482 902	167 482 903	167 482 904	167 482 905	167 482 906

No.	Article / Material	Pieces	d16 DN10	d20 DN15	d25 DN20	d32 DN25	d40 DN32	d50 DN40	d63 DN50
3	Connecting piece 546 PP-H (G32) with socket fusion spigot metric	1	167 482 922	167 482 923	167 482 924	167 482 925	167 482 926	167 482 927	167 482 928
3	Connecting piece 546 PP-H (G33) with threaded socket Rp fortified	1	167 482 911	167 482 912	167 482 913	167 482 914	167 482 915	167 482 916	167 482 917
3	Connecting piece 546 PP-H (G34) with threaded socket NPT fortified	1	167 480 966	167 482 967	167 482 968	167 482 969	167 482 970	167 482 971	167 482 972
3	Connecting piece 546 PP-H (G35) with butt fusion spigot IR Plus® SDR11 metric	1	-	167 482 945	167 482 946	167 482 947	167 482 948	167 482 749	167 482 950
3	Connecting piece 546 PP-H (G36) with butt fusion spigot SDR17,6 metric	1	-	-	-	-	167 482 937	167 482 938	167 482 939
3	Connecting piece 546 PP-H (G37) with butt fusion spigot long SDR11 metric	1	-	167 482 956	167 482 957	167 482 958	167 482 959	167 482 960	167 482 961
3	Connecting piece 546 PE 100 (G40) with fusion socket metric	1	193 480 175	193 480 176	193 480 177	193 480 178	193 480 179	193 480 180	193 480 181
3	Connecting piece 546 PE 100 (G41) with butt fusion spigot SDR11 metric	1	-	193 480 102	193 480 103	193 480 104	193 480 105	193 480 106	193 480 107
3	Connecting piece 546 PE 100 (G42) with butt fusion spigot SDR17,6 metric	1	-	-	-	-	193 480 086	193 480 087	193 480 088
3	Connecting piece 546 PE 100 (G43) with butt fusion spigot long SDR11 metric	1	-	193 480 152	193 480 153	193 480 154	193 480 155	193 480 156	193 480 157
3	Connecting piece 546 PVC-U (G60) subassembly with fixed flange serrated PVC-U metric	1	-	161 486 360	161 486 361	161 483 362	161 486 363	161 486 364	161 486 365
3	Connecting piece 546 PVC-U (G61) subassembly with fixed flange flat PVC-U metric	1	-	161 486 295	161 486 296	161 486 297	161 486 298	161 486 299	161 486 300

No.	Article / Material	Pieces	d16 DN10	d20 DN15	d25 DN20	d32 DN25	d40 DN32	d50 DN40	d63 DN50
3	Connecting piece 546 PVC-U (G70) subassembly with backing flange PVC-U Inch ANSI	1	-	161 486 265	161 486 266	161 486 267	161 486 268	161 486 269	161 486 270
3	Connecting piece 546 PVC-U (G71) subassembly with backing flange PVC-U Inch ANSI	1	-	161 486 275	161 486 276	161 486 277	161 486 278	161 486 279	161 486 280
3	Connecting piece 546 PVC-U (G72) subassembly with backing flange PP-ST metric	1	-	161 486 285	161 486 286	161 486 287	161 486 288	161 486 289	161 486 290
3	Connecting piece 546 PVC-U (G73) subassembly with backing flange PP-ST ANSI	1	-	161 486 425	161 486 426	161 486 427	161 486 428	161 486 429	161 486 430
3	Connecting piece blank 546 PVC-U (G80)	1	161 490 837	161 490 837	161 490 838	161 490 839	161 490 840	161 490 841	161 490 842
4	Union nut PVC-U	1	161 490 538	161 490 538	161 490 539	161 490 540	161 490 541	161 490 542	161 490 543
12	Standard handle 546 red (K01)	1	167 484 088	167 484 088	167 484 089	167 484 090	167 484 091	167 484 092	167 484 093
12	Standard handle 546 black (K02)	1	167 484 076	167 484 076	167 484 077	167 484 078	167 484 079	161 484 080	167 484 081
22	Multifunction handle 546 red (K11) with ratchet settings lockable	1	167 484 100	167 484 100	167 484 101	167 484 102	167 484 103	167 484 104	167 484 105
10	Face seal EPDM	1	748 410 059	748 410 059	748 410 106	748 410 151	748 410 062	748 410 003	748 410 231
10	Face seal FPM	1	749 410 059	749 410 059	749 410 106	749 410 151	749 410 062	749 410 003	749 410 231

Spare parts for ball valve type 546 PVC-U (DN65-100)



No.	Article / Material	Pieces	d75 DN65	d90 DN80	d110 DN100
	Central part		161 486 157	161 486 158	161 486 159
1	Body PVC-U	1			
2	PVC-U	1			
5	Ball PVC-U	1			
6	Stem PVC-U	1			
7	Ball seal PTFE	2			
8	Backing seal EPDM	2			
9	Body seal EPDM	1			
10	Face seal EPDM	2			
11	Stem seal EPDM	2			
12	Lever PP red	1			
13	handle clip	1			
14	Threaded bush Stainless steel	2			
	Central part		161 486 169	161 486 170	161 486 171
1	Body PVC-U	1			
2	PVC-U	1			
5	Ball PVC-U	1			
6	Stem PVC-U	1			
7	Ball seal PTFE	2			
8	Backing seal FPM	2			
9	Body seal FPM	1			
10	Face seal FPM	2			
11	Stem seal FPM	2			
12	Lever PP red	1			
13	handle clip	1			
14	Threaded bush Stainless steel	2			

No.	Article / Material	Pieces	d75 DN65	d90 DN80	d110 DN100
	Ball set		161 486 381	161 486 382	161 486 383
5	Ball PVC-U	1			
6	Stem EPDM	1			
7	Ball seal PTFE	2			
8	Backing seal EPDM	2			
9	Body seal EPDM	1			
11	Stem seal EPDM	2			
	Ball set		161 486 391	161 486 392	161 486 393
5	Ball PVC-U	1			
6	Stem FPM	1			
7	Ball seal PTFE	2			
8	Backing seal FPM	2			
9	Body seal FPM	1			
11	Stem seal FPM	2			
	Seal set		161 486 406	161 486 407	161 486 408
8	Backing seal EPDM	2			
9	Body seal EPDM	1			
10	Face seal EPDM	2			
11	Stem seal EPDM	2			
	Seal set		161 486 416	161 486 417	161 486 418
8	Backing seal FPM	2			
9	Body seal FPM	1			
10	Face seal FPM	2			
11	Stem seal FPM	2			
3	Connecting piece 546 PVC-U (G01) with solvent cement socket metric	1	161 490 673	161 490 674	161 490 675
3	Connecting piece 546 PVC-U (G02) with solvent cement socket JIS	1	161 490 751	161 490 752	161 490 753
3	Connecting piece 546 PVC-U (G03) with solvent cement socket Inch ASTM	1	161 490 719	161 490 720	161 490 721
3	Connecting piece 546 PVC-U (G04) with solvent cement socket Inch BS	1	161 490 673	161 490 742	161 490 743
3	Connecting piece 546 PVC-U (G05) with solvent cement spigot metric	1	161 490 708	161 490 709	161 490 710
3	Connecting piece 546 PVC-U (G06) with threaded socket Rp	1	161 490 697	161 490 698	161 490 699

No.	Article / Material	Pieces	d75 DN65	d90 DN80	d110 DN100
3	Connecting piece 546 PVC-U (G08) with threaded socket NPT	1	161 490 761	161 490 762	161 490 763
3	Connecting piece 546 PVC-U (G09) with threaded socket NPT	1	161 490 730	161 490 731	161 490 732
3	Connecting piece 546 PE 100 (G43) with butt fusion spigot long SDR11 metric	1	193 480 158	193 480 159	193 480 160
3	Connecting piece 546 PE 100 (G44) with butt fusion spigot long SDR17,6 metric	1	193 480 168	193 480 169	193 480 170
3	Connecting piece 546 PVC-U (G70) subassembly with backing flange PVC-U ISO BS	1	161 486 271	161 486 272	161 486 273
3	Connecting piece 546 PVC-U (G71) subassembly with backing flange PVC-U Inch ANSI	1	161 486 281	161 486 282	161 486 283
3	Connecting piece 546 PP (G72) subassembly with backing flange PP-ST ISO BS	1	161 486 291	161 486 292	161 486 293
3	Connecting piece 546 PP (G73) subassembly with backing flange PP-ST ANSI	1	161 486 431	161 486 432	161 486 433
3	Connecting piece 546 PVC-U (G78) subassembly with backing flange JIS	1	161 486 201	161 486 202	161 486 203
4	Union nut PVC-U	1	161 490 544	161 490 545	161 490 546
10	Face seal EPDM	1	748 410 119	748 410 023	748 410 254
10	Face seal FPM	1	749 410 119	749 410 023	749 410 254
12	Standard handle 546 red (K01)	1	167 484 094	167 484 095	167 484 096
12	Standard handle 546 black (K02)	1	167 484 082	167 484 083	167 484 084

Copiable

Configurator GF Ball Valve Type 546 PVC-U

You will find a large selection of different versions in our range of products. New system elements also provide you with new opportunities for use. In order for us to supply exactly the ball valve you need for your application, we put together a selection menu for you (the maximum working pressure of the whole valve is determined by the maximum permissible nominal pressure of the connecting part).

Ball valve

A01 Ball valve 546

Material

B01 PVC-U

Dimension

C05	d 16	DN 10	3/8"
C06	d 20	DN 15	1/2"
C07	d 25	DN 20	3/4"
C08	d 32	DN 25	1"
C09	d 40	DN 32	1 1/4"
C10	d 50	DN 40	1 1/2"
C11	d 63	DN 50	2"
C12	d 75	DN 65	2 1/2"
C13	d 90	DN 80	3"
C14	d 110	DN 100	4"
C15	d 160	DN 150	6"

Version

D01	standard, PTFE ball seal
D02	oilfree, PTFE ball seal (only with specific connecting parts)
D03	silicon-free, PTFE ball seal for inch ASTM (only with specific connecting parts)
D04	silicon-free, PVDF ball seal for metric (only with specific connecting parts)

Seals

E01	EPDM seals
E02	FPM seals
E03	FFPM (KALREZ®) seals

Threaded inserts

F01	without threaded inserts
F02	with threaded inserts

Connecting parts

G01	PVC-U Cement socket metric
G03	PVC-U Cement socket inch ASTM
G04	PVC-U Cement socket inch BS
G05	PVC-U Cement spigot metric
G06	PVC-U Threaded socket Rp
G07	PVC-U Threaded socket Rp reinforced (DN10-50)
G09	PVC-U Threaded socket NPT
G30	PP-H Fusion socket metric
G32	PP-H Socket fusion spigot metric
G33	PP-H Threaded socket Rp
G34	PP-H Threaded socket NPT reinforced
G35	PP-H Butt fusion spigot SDR 11 metric IR-PLUS
G36	PP-H Butt fusion spigot SDR 17.6 metric (limited dimension range)
G37	PP-H Butt fusion spigot long SDR11 metric
G40	PE-100 Fusion socket metric
G41	PE-100 Butt fusion spigot SDR11 metric
G42	PE-100 Butt fusion spigot SDR17.6 metric (limited dimension range)
G43	PE-100 Butt fusion spigot long SDR11 metric
G44	PE-100 Butt fusion spigot long SDR17.6 metric (DN65-100)
G60	Fixed flange PVC-U serrated metric
G61	Fixed flange PVC-U flat metric
G70	Backing flange PVC-U metric
G71	Backing flange PVC-U inch ANSI
G72	Backing flange PP-steel metric
G73	Backing flange PP-steel ANSI
G78	Backing flange PVC-U JIS (DN65-100)
G80	PVC-U Valve end blank

Multi-functional module

I01	No multi-functional module
I02	Empty module
I03	Module with 2 limit switches Ag, Ni
I04	Module with 2 limit switches Au
I05	Module with 2 inductive switches Namur
I06	Module with 2 inductive switches PNP
I07	Module with 2 inductive switches NPN

Handle

K01	Standard handle red
K02	Standard handle black
K11	Multi-functional handle red

Mounting plate

L01	without mounting plate
L02	with mounting plate

A01 B01 C D E F G G I K L

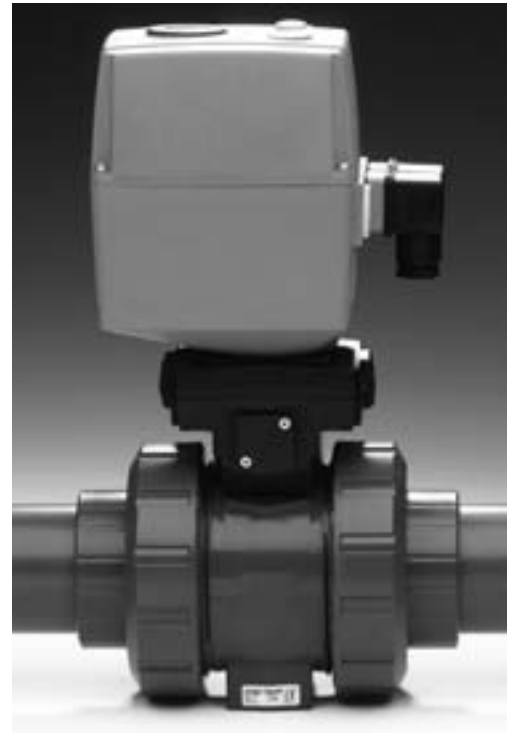
left right

Copiable GF ball valve type 546 with electric Actuator

It's so easy to actuate the type 546:

With the configurator, you have a choice of new electric actuators, the EA11 for standard applications and the EA21 with modular design and accessories, for practically any type of operation.

We supply what you put together.



Electric Actuator EA11

- T01 EA11 24 V
- T02 EA11 100-230 V

Accessories EA11

- U01 No accessories
- U02 2 limit switches Ag, Ni
- U03 Heating element
- U04 Fail-safe return
- U05 2 limit switches Ag, Ni normally open

Electric Actuator EA21/31

- T03 EA21/31 24 V
- T04 EA21/31 100-230 V

Accessories EA21

- W01 No accessories
- W02 Heating element
- W03 Cycle time module
- W04 Cycle time monitoring
- W05 Cycles monitoring
- W06 Motor current monitoring
- W07 2 limit switches Ag, Ni
- W08 2 limit switches Gold
- W09 2 limit switches NPN
- W10 2 limit switches PNP
- W11 Positioner
- W12 Electric position indicator
- W14 Fail-safe return unit
- W15 Switch intermediate position
- W27 2 limit switches Ag, Ni normally open with connector
- W31 Positioner PE25 with galv. separation

T	U	T	W	W	W	W	W	W

Copiable

Configurator GF Ball Valve Type 546 PVC-U

You will find a large selection of different versions in our range of products. New system elements also provide you with new opportunities for use. In order for us to supply exactly the ball valve you need for your application, we put together a selection menu for you (the maximum working pressure of the whole valve is determined by the maximum permissible nominal pressure of the connecting part).

Ball valve

A01 Ball valve 546

Material

B01 PVC-U

Dimension

C05	d 16	DN 10	3/8"
C06	d 20	DN 15	1/2"
C07	d 25	DN 20	3/4"
C08	d 32	DN 25	1"
C09	d 40	DN 32	1 1/4"
C10	d 50	DN 40	1 1/2"
C11	d 63	DN 50	2"
C12	d 75	DN 65	2 1/2"
C13	d 90	DN 80	3"
C14	d 110	DN 100	4"
C15	d 160	DN 150	6"

Version

D01	standard, PTFE ball seal
D02	oilfree, PTFE ball seal (only with specific connecting parts)
D03	silicon-free, PTFE ball seal for inch ASTM (only with specific connecting parts)
D04	silicon-free, PVDF ball seal for metric (only with specific connecting parts)

Seals

E01	EPDM seals
E02	FPM seals
E03	FFPM (KALREZ®) seals

Threaded inserts

F01	without threaded inserts
F02	with threaded inserts

Connecting parts

G01	PVC-U Cement socket metric
G03	PVC-U Cement socket inch ASTM
G04	PVC-U Cement socket inch BS
G05	PVC-U Cement spigot metric
G06	PVC-U Threaded socket Rp
G07	PVC-U Threaded socket Rp reinforced (DN10-50)
G09	PVC-U Threaded socket NPT
G30	PP-H Fusion socket metric
G32	PP-H Socket fusion spigot metric
G33	PP-H Threaded socket Rp
G34	PP-H Threaded socket NPT reinforced
G35	PP-H Butt fusion spigot SDR 11 metric IR-PLUS
G36	PP-H Butt fusion spigot SDR 17.6 metric (limited dimension range)
G37	PP-H Butt fusion spigot long SDR11 metric
G40	PE-100 Fusion socket metric
G41	PE-100 Butt fusion spigot SDR11 metric
G42	PE-100 Butt fusion spigot SDR17.6 metric (limited dimension range)
G43	PE-100 Butt fusion spigot long SDR11 metric
G44	PE-100 Butt fusion spigot long SDR17.6 metric (DN65-100)
G60	Fixed flange PVC-U serrated metric
G61	Fixed flange PVC-U flat metric
G70	Backing flange PVC-U metric
G71	Backing flange PVC-U inch ANSI
G72	Backing flange PP-steel metric
G73	Backing flange PP-steel ANSI
G78	Backing flange PVC-U JIS (DN65-100)
G80	PVC-U Valve end blank

Multi-functional module

I01	No multi-functional module
I02	Empty module
I03	Module with 2 limit switches Ag, Ni
I04	Module with 2 limit switches Au
I05	Module with 2 inductive switches Namur
I06	Module with 2 inductive switches PNP
I07	Module with 2 inductive switches NPN

Handle

K01	Standard handle red
K02	Standard handle black
K11	Multi-functional handle red

Mounting plate

L01	without mounting plate
L02	with mounting plate

A01 B01 C D E F G G I K L

left right

Copiable GF ball valve type 546 with pneumatic actuator

It's so easy to configurate the type 546:

With the configurator, you have a choice of new pneumatic actuators PA11 and PA21 in 2 optimized sizes including a large range of accessories.

We supply what you put together.



Pneumatic actuators PA11/PA21

- P01 Fail safe to close PA11/PA21
- P02 Fail safe to open PA11/21
- P03 Double acting PA11/21
- P30 Fail safe to close PA30/90
- P31 Fail safe to open PA30/90
- P32 Double acting PA30/90

Manual override

- Q01 without manual override
- Q02 with manual override

Stroke limiter

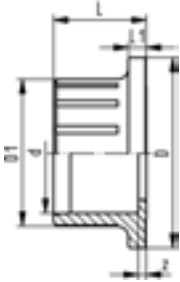
- R01 without stroke limiter
- R02 with stroke limiter

P	Q	R	
----------	----------	----------	--

Spare parts for ball valve type 546 PVC-U

Valve end 546 PVC-U (G01)

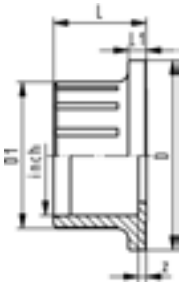
With solvent cement socket metric



d [mm]	PN	Code	GP	kg	D [mm]	D1 [mm]	L [mm]	L1 [mm]	z [mm]
16	16	161 490 666	-	0.009	38	23	18	4	4
20	16	161 490 667	-	0.011	38	27	20	4	4
25	16	161 490 668	-	0.016	44	33	23	5	4
32	16	161 490 669	-	0.025	53	41	26	5	4
40	16	161 490 670	-	0.043	65	51	31	5	5
50	16	161 490 671	-	0.064	77	62	34	6	3
63	16	161 490 672	-	0.119	99	77	41	7	3
75	16	161 490 673	-	0.227	125	92	49	9	4
90	16	161 490 674	-	0.376	150	110	57	10	5
110	16	161 490 675	-	0.639	180	134	69	11	5

Valve end 546 PVC-U (G03)

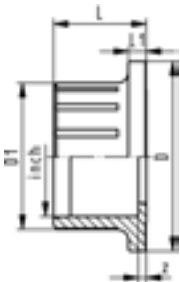
With solvent cement socket Inch ASTM



Inch	d [mm]	PN	Code	GP	kg	D [mm]	D1 [mm]	L [mm]	L1 [mm]	z [mm]
3/8	16	16	161 490 712	-	0.012	38	24	25	4	6
1/2	20	16	161 490 713	-	0.014	38	30	25	4	2
3/4	25	16	161 490 714	-	0.020	44	35	28	5	3
1	32	16	161 490 715	-	0.031	53	43	31	5	3
1 1/4	40	16	161 490 716	-	0.046	65	53	34	5	3
1 1/2	50	16	161 490 717	-	0.067	77	60	38	6	3
2	63	16	161 490 718	-	0.118	99	73	41	7	3
2 1/2	75	16	161 490 719	-	0.241	125	92	49	9	4
3	90	16	161 490 720	-	0.394	150	110	57	10	9
4	110	16	161 490 721	-	0.582	180	134	69	11	11

Valve end 546 PVC-U (G04)

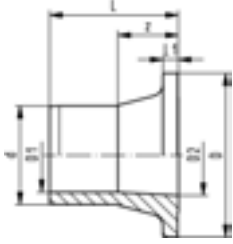
With solvent cement socket Inch BS



Inch	d [mm]	PN	Code	GP	kg	D [mm]	D1 [mm]	L [mm]	L1 [mm]	z [mm]
3/8	16	16	161 490 734	-	0.009	38	23	18	4	2
1/2	20	16	161 490 735	-	0.009	38	27	20	4	2
3/4	25	16	161 490 736	-	0.013	44	33	23	5	2
1	32	16	161 490 737	-	0.022	53	41	26	5	2
1 1/4	40	16	161 490 738	-	0.036	65	51	31	5	2
1 1/2	50	16	161 490 739	-	0.071	77	62	34	6	4
2	63	16	161 490 740	-	0.135	99	77	41	7	5
	75	16	161 490 673	-	0.227	125	92	49	9	4
3	90	16	161 490 742	-	0.390	150	110	57	10	6
4	110	16	161 490 743	-	0.577	180	134	69	11	5



Valve end 546 PVC-U (G05) With solvent cement spigot metric



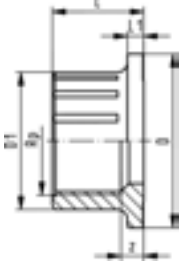
d [mm]	PN	Code	GP	kg	D [mm]	D1 [mm]	D2 [mm]	L [mm]	L1 [mm]	z [mm]
16	16	161 490 701	-	0.011	38	10	16	29	4	15
20	16	161 490 702	-	0.014	38	14	16	34	4	18
25	16	161 490 703	-	0.021	44	19	20	39	5	20
32	16	161 490 704	-	0.033	53	24	26	42	5	20
40	16	161 490 705	-	0.050	65	31	33	45	5	19
50	16	161 490 706	-	0.085	77	39	41	53	6	22
63	16	161 490 707	-	0.161	99	49	51	62	7	24
75	16	161 490 708	-	0.302	125	58	65	74	9	30
90	16	161 490 709	-	0.467	150	70	90	80	10	28
110	16	161 490 710	-	0.747	180	86	100	88	11	27



Valve end 546 PVC-U (G06) With threaded socket Rp

Model:

- Connection to plastic thread only
- Do not use thread sealing pastes that are harmful to PVC-U



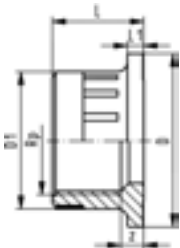
Rp [inch]	PN	Code	GP	kg	D [mm]	D1 [mm]	L [mm]	L1 [mm]	z [mm]
3/8	10	161 490 690	-	0.011	38	24	20	4	7
1/2	10	161 490 691	-	0.013	38	28	22	4	6
3/4	10	161 490 692	-	0.019	44	34	25	5	7
1	10	161 490 693	-	0.031	53	42	28	5	7
1 1/4	10	161 490 694	-	0.047	65	52	30	5	7
1 1/2	10	161 490 695	-	0.081	77	63	32	6	9
2	10	161 490 696	-	0.150	99	78	38	7	10
2 1/2	10	161 490 697	-	0.255	125	58	49	9	18
3	10	161 490 698	-	0.436	150	110	57	10	23
4	10	161 490 699	-	0.645	180	134	69	11	29



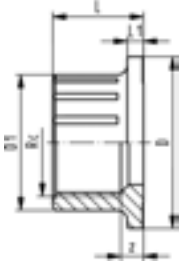
Valve end 546 PVC-U (G07) With threaded socket Rp reinforced

Model:

- Connection to plastic or metal
- Reinforcing ring stainless (A2)
- Do not use thread sealing pastes that are harmful to PVC-U



Rp [inch]	PN	Code	GP	kg	D [mm]	D1 [mm]	L [mm]	L1 [mm]	z [mm]
3/8	16	161 490 825	-	0.013	38	24	20	4	7
1/2	16	161 490 826	-	0.016	38	28	22	4	6
3/4	16	161 490 827	-	0.023	44	34	25	5	7
1	16	161 490 828	-	0.040	53	42	28	5	7
1 1/4	16	161 490 829	-	0.058	65	52	30	5	7
1 1/2	16	161 490 830	-	0.097	77	63	32	6	9
2	16	161 490 831	-	0.166	99	78	38	7	10

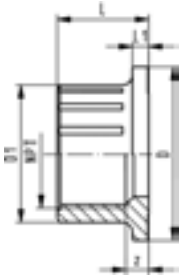


Valve end 546 PVC-U (G08) With threaded socket Rc

Model:

- Connection to plastic thread only
- Do not use thread sealing pastes that are harmful to PVC-U

Rc [inch]	PN	Code	GP	kg	D [mm]	D1 [mm]	L [mm]	L1 [mm]	z [mm]
½	10	161 490 755	-	0.013	38	28	22	4	5
¾	10	161 490 756	-	0.019	44	34	25	5	7
1	10	161 490 757	-	0.033	53	42	28	5	7
1 ¼	10	161 490 758	-	0.047	65	52	30	5	6
1 ½	10	161 490 759	-	0.081	77	63	32	6	8
2	10	161 490 760	-	0.150	99	78	38	7	9
2 ½	10	161 490 761	-	0.261	125	58	49	9	18
3	10	161 490 762	-	0.444	150	110	57	10	23
4	10	161 490 763	-	0.682	180	134	69	11	29

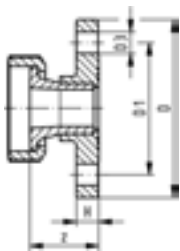


Valve end 546 PVC-U (G09) With threaded socket NPT

Model:

- Connection to plastic thread only
- Do not use thread sealing pastes that are harmful to PVC-U

NPT [inch]	PN	Code	GP	kg	D [mm]	D1 [mm]	L [mm]	L1 [mm]	z [mm]
⅜	10	161 490 723	-	0.014	38	26	21	4	7
½	10	161 490 724	-	0.019	38	33	21	4	4
¾	10	161 490 725	-	0.026	44	39	23	5	5
1	10	161 490 726	-	0.043	53	47	28	5	6
1 ¼	10	161 490 727	-	0.064	65	57	31	5	7
1 ½	10	161 490 728	-	0.093	77	65	34	6	11
2	10	161 490 729	-	0.157	99	77	41	7	17
2 ½	10	161 490 730	-	0.287	125	58	49	9	15
3	10	161 490 731	-	0.451	150	110	57	10	21
4	10	161 490 732	-	0.692	180	134	69	11	31



Valve end 546 PVC-U (G60) Assembly with fixed flange serrated PVC-U metric

Model:

- Joint made with special adhesive Tangit for PVC-U
- Connecting dimensions: ISO 7005 / EN 1092 / DIN 2501 PN10 / BS4504

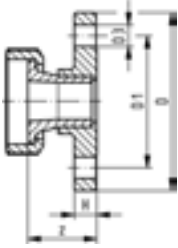
d [mm]	DN [mm]	PN	Code	GP	kg	D [mm]	D1 [mm]	D3 [mm]	H [mm]	z [mm]
20	15	16	161 486 360	-	0.131	95	65	14	12	37
25	20	16	161 486 361	-	0.175	105	75	14	13	42
32	25	16	161 486 362	-	0.256	115	85	14	15	45
40	32	16	161 486 363	-	0.417	140	100	18	17	48
50	40	16	161 486 364	-	0.544	150	110	18	18	56
63	50	16	161 486 365	-	0.861	165	125	18	20	65



Valve end 546 PVC-U (G61) Assembly with fixed flange flat PVC-U metric

Model:

- Joint made with special adhesive Tangit for PVC-U
- Connecting dimensions: ISO 7005 / EN 1092 / DIN 2501 PN10 / BS4504



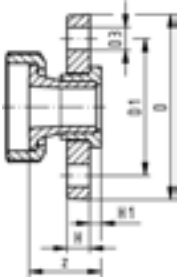
d [mm]	DN [mm]	PN	Code	GP	kg	D [mm]	D1 [mm]	D3 [mm]	H [mm]	z [mm]
20	15	16	161 486 295	-	0.136	95	65	14	12	37
25	20	16	161 486 296	-	0.175	105	75	14	13	42
32	25	16	161 486 297	-	0.254	115	85	14	15	45
40	32	16	161 486 298	-	0.417	140	100	18	17	48
50	40	16	161 486 299	-	0.541	150	110	18	18	56
63	50	16	161 486 300	-	0.861	165	125	18	20	65



Valve end 546 PVC-U (G70) Assembly with backing flange PVC-U metric

Model:

- Joint made with special adhesive Tangit for PVC-U
- Connecting dimensions: ISO 7005 / EN 1092 / DIN 2501 PN10 / BS4504



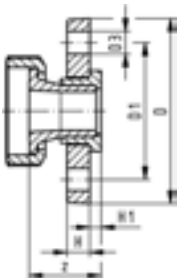
d [mm]	DN [mm]	PN	Code	GP	kg	D [mm]	D1 [mm]	D3 [mm]	H [mm]	H1 [mm]	z [mm]
20	15	16	161 486 265	-	0.110	95	65	14	11	6	37
25	20	16	161 486 266	-	0.155	105	75	14	12	7	42
32	25	16	161 486 267	-	0.230	115	85	14	14	7	45
40	32	16	161 486 268	-	0.360	140	100	18	15	8	48
50	40	16	161 486 269	-	0.500	150	110	18	16	8	56
63	50	16	161 486 270	-	0.770	165	125	18	18	9	65
75	65	10	161 486 271	-	1.429	185	145	18	19	10	77
90	80	10	161 486 272	-	2.109	200	160	18	20	11	85
110	100	10	161 486 273	-	3.067	220	180	18	22	12	93



Valve end 546 PVC-U (G71) Assembly with backing flange PVC-U Inch ANSI

Model:

- Joint made with special adhesive Tangit for PVC-U
- Connecting dimensions: ANSI/ASME B 16.5, ASTM D 4024, BS 1560 (bolt circle 150 lbs)



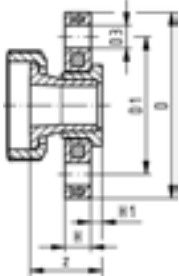
Inch	d [mm]	PN	Code	GP	kg	D [mm]	D1 [mm]	D3 [mm]	H [mm]	H1 [mm]	z [mm]
½	20	16	161 486 275	-	0.110	95	60	14	11	6	37
¾	25	16	161 486 276	-	0.150	105	70	14	12	7	42
1	32	16	161 486 277	-	0.225	115	79	14	14	7	45
1 ¼	40	16	161 486 278	-	0.375	140	89	18	15	8	48
1 ½	50	16	161 486 279	-	0.495	150	98	18	16	8	56
2	63	16	161 486 280	-	0.760	165	121	18	18	9	65
2 ½	75	10	161 486 281	-	1.429	185	140	19	19	10	77
3	90	10	161 486 282	-	2.109	200	152	19	20	11	85
4	110	10	161 486 283	-	3.067	220	190	19	22	12	93



Valve end 546 PVC-U (G72) Assembly with backing flange PP-st metric

Model:

- Joint made with special adhesive Tangit for PVC-U
- Connecting dimensions: ISO 7005 / EN 1092 / DIN 2501 PN10 / BS4504



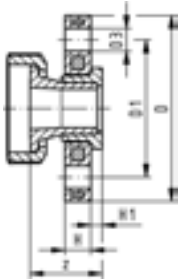
d [mm]	DN [mm]	PN	Code	GP	kg	D [mm]	D1 [mm]	D3 [mm]	H [mm]	H1 [mm]	z [mm]
20	15	16	161 486 285	-	0.265	95	65	14	12	6	37
25	20	16	161 486 286	-	0.325	105	75	14	12	7	42
32	25	16	161 486 287	-	0.530	115	85	14	16	7	45
40	32	16	161 486 288	-	0.815	140	100	18	16	8	48
50	40	16	161 486 289	-	1.070	150	110	18	18	8	56
63	50	16	161 486 290	-	1.395	165	125	18	18	9	65
75	65	16	161 486 291	-	2.319	185	145	18	18	10	77
90	80	16	161 486 292	-	2.905	200	160	18	20	11	85
110	100	16	161 486 293	-	4.079	220	180	18	20	12	93



Valve end 546 PVC-U (G73) Assembly with backing flange PP-st inch

Model:

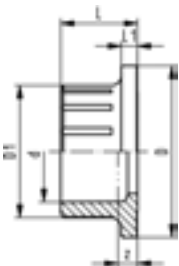
- Joint made with special adhesive Tangit for PVC-U
- Connecting dimensions: ANSI/ASME B 16.5, ASTM D 4024, BS 1560 (bolt circle 150 lbs)



Inch	DN [mm]	PN	Code	GP	kg	D [mm]	D1 [mm]	D3 [mm]	H [mm]	H1 [mm]	z [mm]
1/2	15	16	161 486 425	-	0.250	95	60	16	12	6	37
3/4	20	16	161 486 426	-	0.310	105	70	16	12	7	42
1	25	16	161 486 427	-	0.520	115	79	16	16	7	45
1 1/4	32	16	161 486 428	-	0.835	140	89	16	16	8	48
1 1/2	40	16	161 486 429	-	1.110	150	98	16	18	8	56
2	50	16	161 486 430	-	1.385	165	121	19	18	9	65
2 1/2	65	16	161 486 431	-	2.319	185	140	19	18	10	77
3	80	16	161 486 432	-	2.905	200	152	19	20	11	85
4	100	16	161 486 433	-	4.079	229	190	19	20	12	93



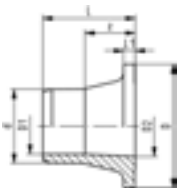
Valve end 546 PP-H (G30) With fusion socket metric



d [mm]	PN	Code	GP	kg	D [mm]	D1 [mm]	L [mm]	L1 [mm]	z [mm]
16	10	167 482 900	-	0.006	38	23	19	4	5
20	10	167 482 901	-	0.007	38	27	20	4	5
25	10	167 482 902	-	0.011	44	33	22	5	6
32	10	167 482 903	-	0.017	53	41	24	5	6
40	10	167 482 904	-	0.027	65	51	26	5	7
50	10	167 482 905	-	0.040	77	62	29	6	8
63	10	167 482 906	-	0.070	99	77	34	7	6
75	10	167 482 907	-	0.168	125	92	49	9	20
90	10	167 482 908	-	0.272	150	110	57	10	24
110	10	167 482 909	-	0.467	180	134	69	11	30



Valve end 546 PP-H (G32) With socket fusion spigot metric



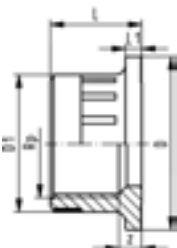
d [mm]	PN	Code	GP	kg	D [mm]	D1 [mm]	D2 [mm]	L [mm]	L1 [mm]	L2 [mm]	z [mm]
16	10	167 482 922	-	0.007	38	10	16	27	4	13	14
20	10	167 482 923	-	0.009	38	14	16	32	4	14	18
25	10	167 482 924	-	0.013	44	19	20	37	5	16	21
32	10	167 482 925	-	0.021	53	24	26	40	5	18	22
40	10	167 482 926	-	0.032	65	31	33	43	5	20	23
50	10	167 482 927	-	0.055	77	39	41	51	6	23	28
63	10	167 482 928	-	0.103	99	49	51	60	7	27	33
75	10	167 482 929	-	0.195	125	58	65	72	9	48	24
90	10	167 482 930	-	0.307	150	70	90	78	10	48	29
110	10	167 482 931	-	0.495	180	86	100	86	11	54	32



Valve end 546 PP-H (G33) With threaded socket Rp reinforced

Model:

- Connection to plastic or metal
- Reinforcing ring stainless (A2)
- Do not use thread sealing pastes that are harmful to PP



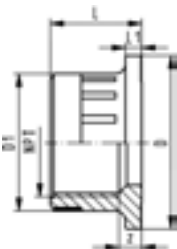
Rp [inch]	PN	Code	GP	kg	D [mm]	D1 [mm]	L [mm]	L1 [mm]	z [mm]
3/8	16	167 482 911	-	0.008	38	24	20	4	7
1/2	16	167 482 912	-	0.009	38	28	21	4	6
3/4	16	167 482 913	-	0.012	44	34	23	5	7
1	16	167 482 914	-	0.024	53	42	28	5	7
1 1/4	16	167 482 915	-	0.037	65	52	31	5	7
1 1/2	16	167 482 916	-	0.052	77	63	34	6	9
2	16	167 482 917	-	0.091	99	78	41	7	10



Valve end 546 PP-H (G34) With threaded socket NPT reinforced

Model:

- Connection to plastic or metal
- Reinforcing ring stainless (A2)
- Do not use thread sealing pastes that are harmful to PP

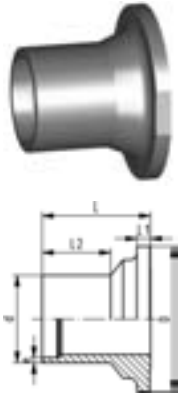


NPT [inch]	PN	Code	GP	kg	D [mm]	D1 [mm]	L [mm]	L1 [mm]	z [mm]
3/8	16	167 482 966	-	0.008	38	26	20	4	7
1/2	16	167 482 967	-	0.009	38	33	21	4	4
3/4	16	167 482 968	-	0.012	44	39	23	5	5
1	16	167 482 969	-	0.024	53	47	28	5	6
1 1/4	16	167 482 970	-	0.037	65	57	31	5	7
1 1/2	16	167 482 971	-	0.052	77	65	34	6	11
2	16	167 482 972	-	0.091	99	77	41	7	17



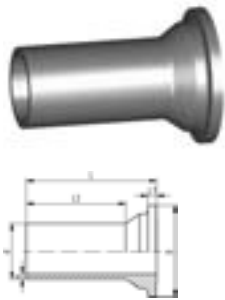
Valve end 546 PP-H (G35) With butt fusion spigot IR-Plus® SDR11 metric

d [mm]	FM	PN	Code	GP	kg	D [mm]	e [mm]	L [mm]	L1 [mm]	L2 [mm]
20	IR	10	167 482 945	-	0.007	38	1,9	37	4	25
25	IR	10	167 482 946	-	0.011	44	2,3	39	5	25
32	IR	10	167 482 947	-	0.017	53	3	40	5	25
40	IR	10	167 482 948	-	0.028	65	3,7	43	5	25
50	IR	10	167 482 949	-	0.045	77	4,6	51	6	25
63	IR	10	167 482 950	-	0.096	99	5,8	60	7	28
75	IR	10	167 482 951	-	0.193	125	8.2	65	9	41
90	IR	10	167 482 952	-	0.270	150	9.9	62	10	33
110	IR	10	167 482 953	-	0.421	180	12	69	11	37



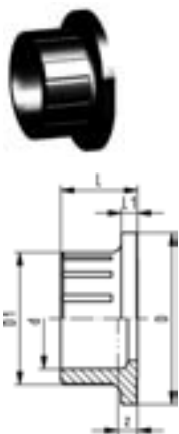
Valve end 546 PP-H (G36) With butt fusion spigot SDR17,6 metric

d [mm]	PN	Code	GP	kg	D [mm]	e [mm]	L [mm]	L1 [mm]	L2 [mm]
40	6	167 482 937	-	0.032	65	2,3	43	5	25
50	6	167 482 938	-	0.053	77	2,9	51	6	25
63	6	167 482 939	-	0.099	99	3,6	60	7	28
75	6	167 482 940	-	0.189	125	4.65	65	9	41
90	6	167 482 941	-	0.265	150	5.5	62	10	33
110	6	167 482 942	-	0.414	180	6.75	69	11	37



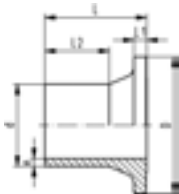
Valve end 546 PP-H (G37) With butt fusion spigot long SDR11 metric

d [mm]	PN	Code	GP	kg	D [mm]	e [mm]	L [mm]	L1 [mm]	L2 [mm]
20	10	167 482 956	-	0.012	38	2,3	69	4	53
25	10	167 482 957	-	0.019	44	2,3	76	5	58
32	10	167 482 958	-	0.029	53	3	76	5	58
40	10	167 482 959	-	0.048	65	3,7	82	5	61
50	10	167 482 960	-	0.082	77	4,6	91	6	63
63	10	167 482 961	-	0.157	99	5,8	110	7	77



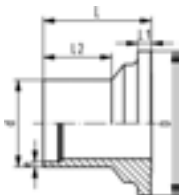
Valve end 546 PE 100 (G40) With fusion socket metric

d [mm]	PN	Code	GP	kg	D [mm]	D1 [mm]	L [mm]	L1 [mm]	z [mm]
16	16	193 480 175	-	0.007	38	23	19	4	5
20	16	193 480 176	-	0.008	38	27	20	4	5
25	16	193 480 177	-	0.012	44	33	22	5	6
32	16	193 480 178	-	0.019	53	41	24	5	6
40	16	193 480 179	-	0.033	65	51	26	5	7
50	16	193 480 180	-	0.050	77	62	29	6	8
63	16	193 480 181	-	0.095	99	77	34	7	8



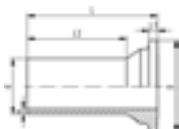
Valve end 546 PE 100 (G41) With butt fusion spigot SDR11 metric

d [mm]	FM	PN	Code	GP	kg	D [mm]	e [mm]	L [mm]	L1 [mm]	L2 [mm]
20	IR	16	193 480 102	-	0.007	38	1,9	37	4	25
25	IR	16	193 480 103	-	0.011	44	2,3	39	5	25
32	IR	16	193 480 104	-	0.017	53	3	40	5	25
40	IR	16	193 480 105	-	0.028	65	3,7	43	5	25
50	IR	16	193 480 106	-	0.045	77	4,6	51	6	25
63	IR	16	193 480 107	-	0.096	99	5,8	60	7	28



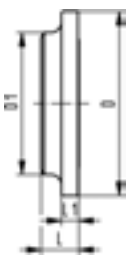
Valve end 546 PE 100 (G42) With butt fusion spigot SDR17,6 metric

d [mm]	FM	PN	Code	GP	kg	D [mm]	e [mm]	L [mm]	L1 [mm]	L2 [mm]
40	IR	10	193 480 086	-	0.028	65	2,3	43	5	25
50	IR	10	193 480 087	-	0.045	77	2,9	51	6	25
63	IR	10	193 480 088	-	0.096	99	3,6	60	7	28



Valve end 546 PE 100 (G43) With butt fusion spigot long SDR11 metric

d [mm]	PN	Code	GP	kg	D [mm]	e [mm]	L [mm]	L1 [mm]	L2 [mm]
20	16	193 480 152	-	0.012	38	2,25	69	4	53
25	16	193 480 153	-	0.019	44	2,3	76	5	58
32	16	193 480 154	-	0.029	53	3	76	5	58
40	16	193 480 155	-	0.048	65	3,7	82	5	61
50	16	193 480 156	-	0.082	77	4,6	91	6	63
63	16	193 480 157	-	0.157	99	5,8	110	7	77
75	16	193 480 158	-	0.277	125	6,8	125	9	89
90	16	193 480 159	-	0.439	150	8,2	140	10	103
110	16	193 480 160	-	0.731	180	10	160	11	117



Valve end blank 546 PVC-U (G80)

Model:

- Jointing face flat

d [mm]	DN [mm]	Inch	PN	Code	GP	kg	D [mm]	D1 [mm]	L [mm]	L1 [mm]
20	15	½	16	161 490 837	-	0.009	38	23	8	4
25	20	¾	16	161 490 838	-	0.013	44	33	10	5
32	25	1	16	161 490 839	-	0.021	53	41	11	5
40	32	1 ¼	16	161 490 840	-	0.034	65	51	11	5
50	40	1 ½	16	161 490 841	-	0.057	77	62	14	6
63	50	2	16	161 490 842	-	0.113	99	77	17	7



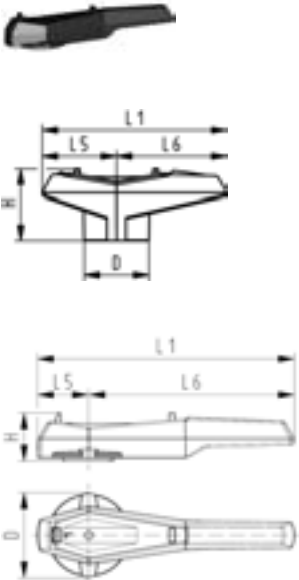
Union nut 546 PVC-U

d [mm]	DN [mm]	Code	GP	kg	D [mm]	D1 [mm]	L [mm]	S [mm]
16 - 20	10 - 15	161 490 538	-	0.019	50	34	19	42
25	20	161 490 539	-	0.026	58	39	20	48
32	25	161 490 540	-	0.041	68	47	24	58
40	32	161 490 541	-	0.077	84	57	27	71
50	40	161 490 542	-	0.111	97	65	30	84
63	50	161 490 543	-	0.191	124	79	36	106
75	65	161 490 544	-	0.562	166	94	48	135
90	80	161 490 545	-	0.882	200	113	54	135
110	100	161 490 546	-	1.355	238	137	60	198



Standard handle 546 red (K01)

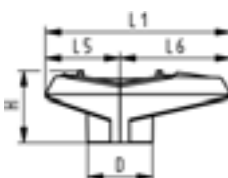
d [mm]	DN [mm]	Code	kg	L1 [mm]	L5 [mm]	L6 [mm]	H [mm]	D [mm]
16 - 20	10 - 15	167 484 088	0.012	77	32	45	31	26
25	20	167 484 089	0.022	97	39	58	37	34
32	25	167 484 090	0.022	97	39	58	37	34
40	32	167 484 091	0.042	128	54	74	46	40
50	40	167 484 092	0.042	128	54	74	46	40
63	50	167 484 093	0.059	152	66	87	54	44
75	65	167 484 094	0.250	270	64	206	58	106
90	80	167 484 095	0.250	270	64	206	58	106
110	100	167 484 096	0.298	320	64	256	60	106





Standard handle 546 black (K02)

d [mm]	DN [mm]	Code	GP	kg	L1 [mm]	L5 [mm]	L6 [mm]	H [mm]	D [mm]
16 - 20	10 - 15	167 484 076	-	0.012	77	32	45	31	26
25	20	167 484 077	-	0.022	97	39	58	37	34
32	25	167 484 078	-	0.022	97	39	58	37	34
40	32	167 484 079	-	0.042	128	54	74	46	40
50	40	167 484 080	-	0.042	128	54	74	46	40
63	50	167 484 081	-	0.059	152	66	87	54	44
75	65	167 484 082	-	0.250	270	64	206	58	106
90	80	167 484 083	-	0.250	270	64	206	58	106
110	100	167 484 084	-	0.298	320	64	256	60	106

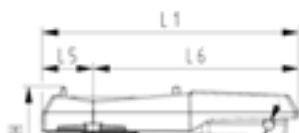
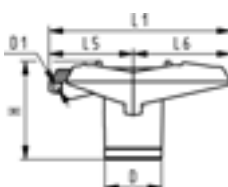


Multifunctional handle 546 red (K11) With ratchet settings lockable

Note:

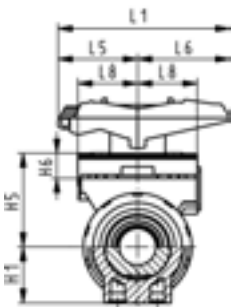
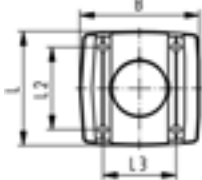
- To retrofit the ball valve 546 with the multifunctional handle a multifunction module is necessary in the dimensions DN65-100

d-d [mm]	DN-DN [mm]	Code	GP	kg	D [mm]	D1 [mm]	H [mm]	L1 [mm]	L5 [mm]	L6 [mm]
16 - 20	10 - 15	167 484 100	-	0.026	26	5	53	87	42	45
- 25	- 20	167 484 101	-	0.045	34	5	59	108	50	58
- 32	- 25	167 484 102	-	0.045	34	5	59	108	50	58
- 40	- 32	167 484 103	-	0.082	40	5	69	140	66	75
- 50	- 40	167 484 104	-	0.082	40	5	69	140	66	75
- 63	- 50	167 484 105	-	0.104	44	5	80	165	78	87
- 75	- 65	161 486 689	-	0.480	115	12	105	270	64	206
- 90	- 80	161 486 690	-	0.480	115	12	105	270	64	206
110 - 140	100 - 125	161 486 691	-	0.480	115	12	107	320	64	256





DN10/15 - 50



Multifunctional module (I02) PP-GF Module empty

Model:

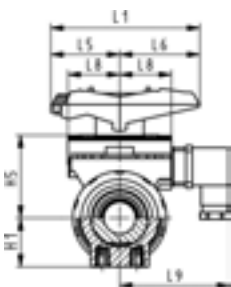
- Accessory to Ball Valve Type 546
- Multifunctional module acts as an intermediate element for actuators
- Including screws to mount the module and stainless steel coupling piece (V2A) for dimension DN65-100
- The multifunctional module from d75 - d110 has a master gauge F07 according to EN ISO 5211.

d-d [mm]	DN-DN [mm]	Code	GP	kg
16 - 20	10 - 15	167 482 680	-	0.055
25 - 32	20 - 25	167 482 681	-	0.070
40 - 50	32 - 40	167 482 682	-	0.080
- 63	- 50	167 482 683	-	0.120
75 - 90	65 - 80	167 482 684	-	0.135
- 110	- 100	167 482 685	-	0.175

d-d [mm]	B [mm]	H1 [mm]	H5 [mm]	H6 [mm]	L [mm]	L1 [mm]	L2 [mm]	L3 [mm]	L5 [mm]	L6 [mm]	L8 [mm]
16 - 20	67	27	50	17	72	87	54	40	42	45	34
25 - 32	75	30	53	16	72	108	52	46	50	58	38
40 - 50	81	44	72	16	80	140	60	50	66	75	41
- 63	91	64	94	19	93	165	68	65	78	87	46
75 - 90	90	85	157	23	85	270			64	206	
- 110	106	123	175	23	97	320			64	256	



DN10/15 - 50



Multifunctional module (I03) PP-GF With mechanical limit switches Ag Ni

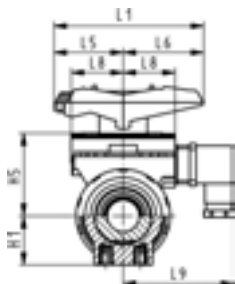
Model:

- Accessory to Ball Valve Type 546
- Multifunctional module acts as an intermediate element for actuators
- Including Plug 3P+E / Protection: IP65
- Including screws to mount the module and stainless steel coupling piece (V2A) for dimension DN65-100

d-d [mm]	DN-DN [mm]	Code	GP	kg	H1 [mm]	H5 [mm]	L1 [mm]	L5 [mm]	L6 [mm]	L8 [mm]	L9 [mm]
16 - 20	10 - 15	167 482 626	-	0.110	27	50	87	42	45	34	73
25 - 32	20 - 25	167 482 627	-	0.120	30	53	108	50	58	38	77
40 - 50	32 - 40	167 482 628	-	0.135	44	72	140	66	75	41	80
- 63	- 50	167 482 629	-	0.175	64	94	165	78	87	46	85
75 - 90	65 - 80	167 482 630	-	0.460	85	157	270	64	206		
- 110	- 100	167 482 631	-	0.480	123	175	320	64	256		



DN10/15 - 50



Multifunctional module (I04) PP-GF With mechanical limit switches Au

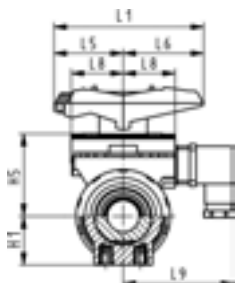
Model:

- Accessory to Ball Valve Type 546
- Multifunctional module acts as an intermediate element for actuators
- Including Plug 3P+E / Protection: IP65
- Including screws to mount the module and stainless steel coupling piece (V2A) for dimension DN65-100

d-d [mm]	DN-DN [mm]	Code	GP	kg	H1 [mm]	H5 [mm]	L1 [mm]	L5 [mm]	L6 [mm]	L8 [mm]	L9 [mm]
16 - 20	10 - 15	167 482 635	-	0.110	27	50	87	42	45	34	73
25 - 32	20 - 25	167 482 636	-	0.120	30	53	108	50	58	38	77
40 - 50	32 - 40	167 482 637	-	0.135	44	72	140	66	75	41	80
- 63	- 50	167 482 638	-	0.175	64	94	165	78	87	46	85
75 - 90	65 - 80	167 482 639	-	0.460	85	157	270	64	206		
- 110	- 100	167 482 640	-	0.480	123	175	320	64	256		



DN10/15 - 50



Multifunctional module (I05) PP-GF With inductive limit switches Namur

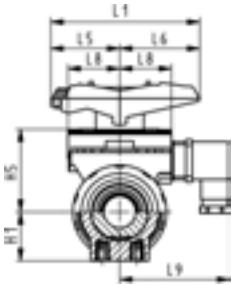
Model:

- Accessory to Ball Valve Type 546
- Multifunctional module acts as an intermediate element for actuators
- Including Plug 3P+E / Protection: IP65
- Including screws to mount the module and stainless steel coupling piece (V2A) for dimension DN65-100

d-d [mm]	DN-DN [mm]	Code	GP	kg	H1 [mm]	H5 [mm]	L1 [mm]	L5 [mm]	L6 [mm]	L8 [mm]	L9 [mm]
16 - 20	10 - 15	167 482 671	-	0.110	27	50	87	42	45	34	73
25 - 32	20 - 25	167 482 672	-	0.120	30	53	108	50	58	38	77
40 - 50	32 - 40	167 482 673	-	0.135	44	72	140	66	75	41	80
- 63	- 50	167 482 674	-	0.175	64	94	165	78	87	46	85
75 - 90	65 - 80	167 482 675	-	0.460	85	157	270	64	206		
- 110	- 100	167 482 676	-	0.480	123	175	320	64	256		



DN10/15 - 50



Multifunctional module (I06) PP-GF With inductive limit switches PNP

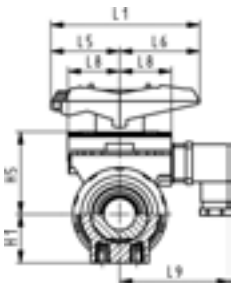
Model:

- Accessory to Ball Valve Type 546
- Multifunctional module acts as an intermediate element for actuators
- Including Plug 3P+E / Protection: IP65
- Including screws to mount the module and stainless steel coupling piece (V2A) for dimension DN65-100

d-d [mm]	DN-DN [mm]	Code	GP	kg	H1 [mm]	H5 [mm]	L1 [mm]	L5 [mm]	L6 [mm]	L8 [mm]	L9 [mm]
16 - 20	10 - 15	167 482 662	-	0.110	27	50	87	42	45	34	73
25 - 32	20 - 25	167 482 663	-	0.120	30	53	108	50	58	38	77
40 - 50	32 - 40	167 482 664	-	0.135	44	72	140	66	75	41	80
- 63	- 50	167 482 665	-	0.175	64	94	165	78	87	46	85
75 - 90	65 - 80	167 482 666	-	0.460	85	157	270	64	206		
- 110	- 100	167 482 667	-	0.480	123	175	320	64	256		



DN10/15 - 50



Multifunctional module (I07) PP-GF With inductive limit switches NPN

Model:

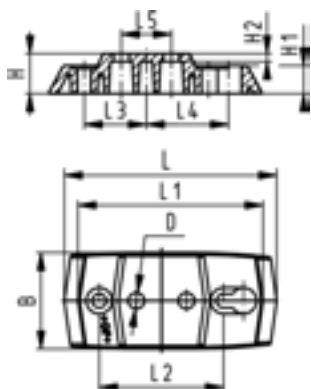
- Accessory to Ball Valve Type 546
- Multifunctional module acts as an intermediate element for actuators
- Including Plug 3P+E / Protection: IP65
- Including screws to mount the module and stainless steel coupling piece (V2A) for dimension DN65-100

d-d [mm]	DN-DN [mm]	Code	GP	kg	H1 [mm]	H5 [mm]	L1 [mm]	L5 [mm]	L6 [mm]	L8 [mm]	L9 [mm]
16 - 20	10 - 15	167 482 653	-	0.110	27	50	87	42	45	34	73
25 - 32	20 - 25	167 482 654	-	0.120	30	53	108	50	58	38	77
40 - 50	32 - 40	167 482 655	-	0.135	44	72	140	66	75	41	80
- 63	- 50	167 482 656	-	0.175	64	94	165	78	87	46	85
75 - 90	65 - 80	167 482 657	-	0.460	85	157	270	64	206		
- 110	- 100	167 482 658	-	0.480	123	175	320	64	256		



Mounting plate 546 PP-GF (L02)

- 2 mounting screws inclusive



d-d [mm]	DN-DN [mm]	Code	GP	kg
16 - 32	10 - 25	167 484 110	-	0.055
40 - 63	32 - 50	167 484 111	-	0.086

d-d [mm]	B [mm]	D [mm]	H [mm]	H1 [mm]	H2 [mm]	L [mm]	L1 [mm]	L2 [mm]	L3 [mm]	L4 [mm]	L5 [mm]
16 - 32	48	8	20	14	4	106	92	62	31	41	25
40 - 63	54	9	20	14	4	149	134	104	52	62	45

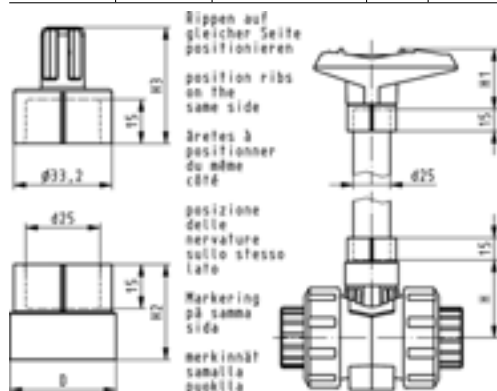


Handle extension 546 PVC-U metric

Model:

- For Ball Valve Type 546
- Composed of adapter sockets for handle connection and stem connection
- PVC-U pipe in suitable length has to be obtained on site

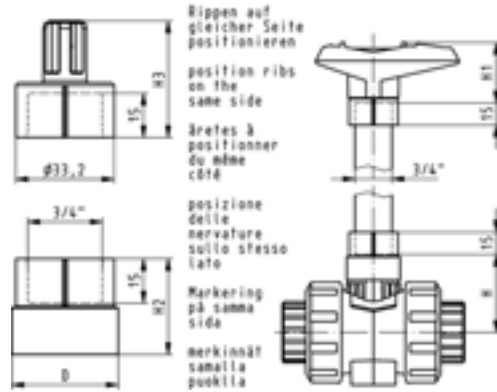
d-d [mm]	DN-DN [mm]	Code	GP	kg	H [mm]	H1 [mm]	H2 [mm]	H3 [mm]	D [mm]
16 - 20	10 - 15	161 486 435	-	0.032	41	52	29	36	26
25 - 32	20 - 25	161 486 436	-	0.037	50	62	32	39	36
40 - 50	32 - 40	161 486 437	-	0.047	65	76	34	44	40
- 63	- 50	161 486 438	-	0.058	84	87	37	48	44



Handle extension 546 PVC-U inch BS/ASTM

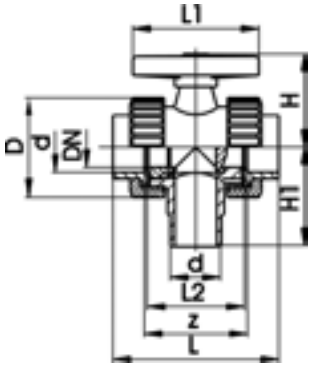
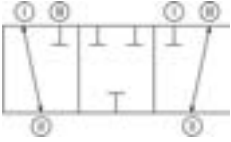
- For Ball Valve Type 546

DN-DN [mm]	Inch	Code	GP	kg	H [mm]	H1 [mm]	H2 [mm]	H3 [mm]	D [mm]
10 - 15	3/8-1/2	161 486 443	-	0.032	41	52	29	36	26
20 - 25	3/4-1	161 486 444	-	0.037	50	62	32	39	36
32 - 40	1 1/4-1 1/2	161 486 445	10	0.047	65	76	34	44	40
50 -	2	161 486 446	-	0.058	84	87	37	48	44



Ball valves 3-way

3-Way ball valve type 343 PVC-U vertical With solvent cement sockets metric



Model:

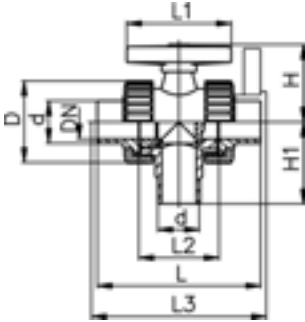
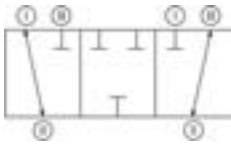
- Vertical inlet solvent cement spigot
- L-port ball
- Easy installation and removal using union on third outlet
- Ball seals PTFE
- Electric actuator available separately
- Angle of operation 180°, without turn limiter

Mode of action:

- For interconnection of two inputs

d [mm]	DN [mm]	PN	kv-value ($\Delta p=1$ bar) [l/min]	EPDM Code	FPM Code	GP	kg	
16	10	10	49	161 343 401	161 343 411	10	0.166	
20	15	10	77	161 343 402	161 343 412	10	0.169	
25	20	10	146	161 343 403	161 343 413	4	0.281	
32	25	10	260	161 343 404	161 343 414	12	0.399	
40	32	10	437	161 343 405	161 343 415	4	0.652	
50	40	10	667	161 343 406	161 343 416	8	1.015	
63	50	10	1293	161 343 407	161 343 417	-	1.804	

d [mm]	z [mm]	D [mm]	L [mm]	L1 [mm]	L2 [mm]	H [mm]	H1 [mm]
16	71	45	99	78	63	50	57
20	71	45	102	78	63	50	62
25	82	53	120	92	75	60	72
32	87	64	131	100	79	70	77
40	98	78	150	110	89	80	87
50	101	92	163	120	95	92	97
63	121	116	197	146	115	110	112



3-Way ball valve type 343 PVC-U vertical With solvent cement spigots metric

Model:

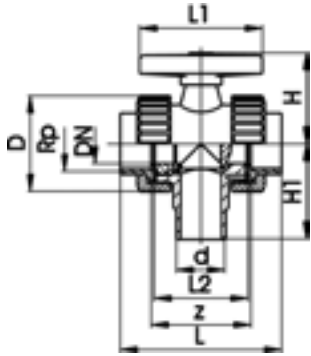
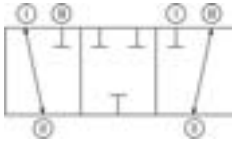
- Vertical inlet solvent cement spigot
- L-port ball
- Easy installation and removal using union on third outlet
- Ball seals PTFE
- Electric actuator available separately
- Angle of operation 180°, without turn limiter

Mode of action:

- For interconnection of two inputs

d [mm]	DN [mm]	PN	kv-value ($\Delta p=1$ bar) [l/min]	EPDM Code	FPM Code	GP	kg
16	10	10	49	161 343 441	161 343 451	10	0.165
20	15	10	77	161 343 442	161 343 452	10	0.172
25	20	10	146	161 343 443	161 343 453	4	0.286
32	25	10	260	161 343 444	161 343 454	12	0.411
40	32	10	437	161 343 445	161 343 455	-	0.670
50	40	10	667	161 343 446	161 343 456	-	1.060
63	50	10	1293	161 343 447	161 343 457	-	1.850

d [mm]	D [mm]	L [mm]	L1 [mm]	L2 [mm]	L3 [mm]	H [mm]	H1 [mm]
16	43	114	78	63	120	50	57
20	43	124	78	63	130	50	62
25	53	144	92	75	150	60	72
32	64	154	100	79	160	70	77
40	78	174	110	89	180	80	87
50	92	194	120	95	200	92	97
63	116	224	146	115	230	110	112



3-Way ball valve type 343 PVC-U vertical With threaded sockets Rp

Model:

- Vertical inlet solvent cement spigot
- L-port ball
- Easy installation and removal using union on third outlet
- Ball seals PTFE
- Electric actuator available separately
- Angle of operation 180°, without turn limiter

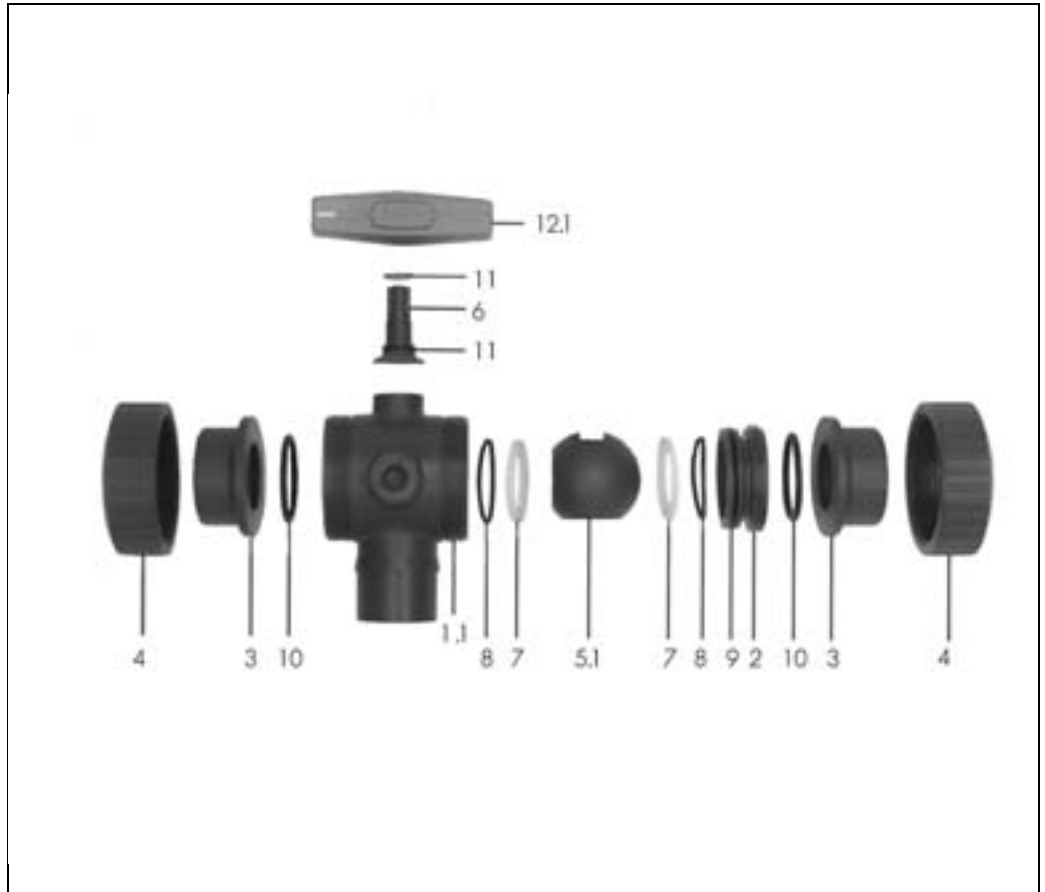
Mode of action:

- For interconnection of two inputs

Rp [inch]	DN [mm]	PN	kv-value ($\Delta p=1$ bar) [l/min]	EPDM Code	FPM Code	GP	kg
3/8	10	10	49	161 343 421	161 343 431	10	0.164
1/2	15	10	77	161 343 422	161 343 432	10	0.168
3/4	20	10	146	161 343 423	161 343 433	-	0.286
1	25	10	260	161 343 424	161 343 434	-	0.398
1 1/4	32	10	437	161 343 425	161 343 435	-	0.688
1 1/2	40	10	667	161 343 426	161 343 436	-	1.410
2	50	10	1293	161 343 427	161 343 437	-	2.000

Rp [inch]	z [mm]	D [mm]	L [mm]	L1 [mm]	L2 [mm]	H [mm]	H1 [mm]
3/8	67	45	99	78	63	50	57
1/2	67	45	102	78	63	50	62
3/4	79	53	120	92	75	60	72
1	83	64	131	100	79	70	77
1 1/4	96	78	150	110	89	80	87
1 1/2	109	92	163	120	95	92	97
2	135	116	197	146	115	110	112

Spare Parts Ball Valves Type 343, PVC-U



No.	Article/ Material	Pieces	d16 DN 10	d20 DN 15	d25 DN 20	d32 DN 25	d40 DN 32	d50 DN 40	d63 DN 50
	Ball Sets vertical		161 483 343 No. 11, 1 piece	161 483 343 No. 11, 1 piece	161 483 344	161 483 345	161 483 346	161 483 347	161 483 348
5.1	L-port ball PVC-U	1							
7	Ball seals PTFE	2							
6	Stem PVC-U	1							
11	Stem seals EPDM	2							
12.1	Lever PVC-U	1							
	Ball Sets vertical		161 483 351 No. 11, 1 piece	161 483 351 No. 11, 1 piece	161 483 352	161 483 353	161 483 354	161 483 355	161 483 356
5.1	L-port ball PVC-U	1							
7	Ball seals PTFE	2							
6	Stem PVC-U	1							
11	Stem seals FPM	2							
12.1	Lever PVC-U	1							
	Seal Sets		161 482 883 No. 11, 1 piece	161 482 883 No. 11, 1 piece	161 482 884	161 482 885	161 482 886	161 482 887	161 482 888
8	Backing seals EPDM	2							
9	Body seal EPDM	1							
10	Face seal EPDM	2							
11	Stem seals EPDM	2							
	Seal Sets		161 482 892 No. 11, 1 piece	161 482 892 No. 11, 1 piece	161 482 893	161 482 894	161 482 895	161 482 896	161 482 897
8	Backing seals FPM	2							
9	Body seal FPM	1							
10	Face seal FPM	2							
11	Stem seals FPM	2							
2	Union Bushes, PVC-U	1	161 482 339	161 482 339	161 482 340	161 482 341	161 482 342	161 482 343	161 482 344
10	Union seals, EPDM	1	748 410 042	748 410 042	748 410 116	748 410 103	748 410 027	748 410 010	748 410 011

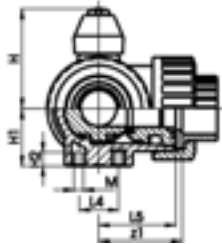
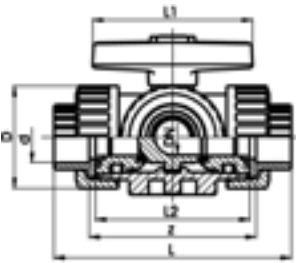
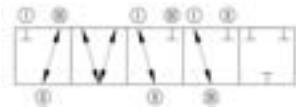
No.	Article/ Material	Pieces	d16 DN 10	d20 DN 15	d25 DN 20	d32 DN 25	d40 DN 32	d50 DN 40	d63 DN50
10	Union seals, FPM	1	749 410 042	749 410 042	749 410 116	749 410 103	749 410 027	749 410 010	749 410 011
3	Valve Ends with Socket, PVC-U metric	1	161 480 536	161 480 537	161 480 538	161 480 539	161 480 540	161 480 541	161 480 542
3	Valve Ends with Spigot, PVC-U metric	1	161 482 345	161 482 346	161 482 347	161 482 348	161 482 349	161 482 350	161 482 351
3	Valve Ends, PVC-U Rp	1	161 480 550	161 480 551	161 480 552	161 480 553	161 480 554	161 480 555	161 480 556
3	Valve Ends with Fusion Socket, PE 80	1	173 480 000	173 480 001	173 480 002	173 480 003	173 480 004	173 480 005	173 480 006
3	Butt- and Electro Fusion Spigots, PE100 SDR11	1	-	193 480 127	193 480 128	193 480 129	193 480 130	193 480 131	193 480 132
4	Union Nuts, PVC-U	1	161 340 617	161 340 617	161 340 618	161 340 619	161 340 620	161 482 119	161 482 613
12,1	Lever, PVC-U vertical	1	161 480 715	161 480 715	161 480 716	161 480 717	161 480 718	161 482 146	161 482 147



3-Way ball valve type 343 PVC-U Horizontal/ L-port With solvent cement sockets metric

Model:

- L-port ball
- For easy installation and removal
- Ball seals PTFE
- Pneumatic or electric actuator available separately
- Angle of operation 360°, without turn limiter



d [mm]	DN [mm]	PN	kv-value ($\Delta p=1$ bar) [l/min]	EPDM without turn limiter Code	FPM without turn limiter Code	EPDM with turn limiter 90° Code
16	10	10	50	161 343 001	161 343 011	161 343 701
20	15	10	75	161 343 002	161 343 012	161 343 702
25	20	10	150	161 343 003	161 343 013	161 343 703
32	25	10	280	161 343 004	161 343 014	161 343 704
40	32	10	480	161 343 005	161 343 015	161 343 705
50	40	10	620	161 343 006	161 343 016	161 343 706
63	50	10	1230	161 343 007	161 343 017	161 343 707

d [mm]	DN [mm]	PN	kv-value ($\Delta p=1$ bar) [l/min]	FPM with turn limiter 90° Code	kg
16	10	10	50	161 343 711	0.202
20	15	10	75	161 343 712	0.202
25	20	10	150	161 343 713	0.375
32	25	10	280	161 343 714	0.512
40	32	10	480	161 343 715	0.848
50	40	10	620	161 343 716	1.371
63	50	10	1230	161 343 717	2.636

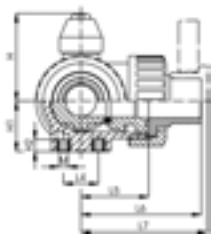
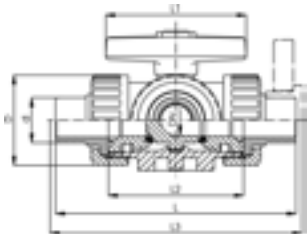
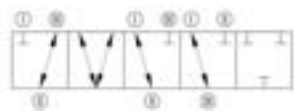
d [mm]	z [mm]	z1 [mm]	D [mm]	L [mm]	L1 [mm]	L2 [mm]	L4 [mm]	L5 [mm]	H [mm]	H1 [mm]	H2 [mm]	M
16	80	40	45	108	78	72	25	36	50	27	8	6
20	80	40	45	111	78	72	25	36	50	27	8	6
25	94	47	53	131	92	86	25	43	60	33	8	6
32	104	52	65	148	100	96	25	48	68	36	8	6
40	126	63	78	176	110	116	45	58	79	44	9	8
50	144	72	92	206	120	137	45	69	90	49	9	8
63	186	93	116	262	146	179	45	90	109	61	9	8



3-Way ball valve type 343 PVC-U Horizontal/ L-port With solvent cement spigots metric

Model:

- L-port ball
- For easy installation and removal
- Ball seals PTFE
- Pneumatic or electric actuator available separately
- Angle of operation 360°, without turn limiter



d [mm]	DN [mm]	PN	kv-value ($\Delta p=1$ bar) [l/min]	EPDM without turn limiter Code	FPM without turn limiter Code	EPDM with turn limiter 90° Code
16	10	10	50	161 343 021	161 343 031	161 343 721
20	15	10	75	161 343 022	161 343 032	161 343 722
25	20	10	150	161 343 023	161 343 033	161 343 723
32	25	10	280	161 343 024	161 343 034	161 343 724
40	32	10	480	161 343 025	161 343 035	161 343 725
50	40	10	620	161 343 026	161 343 036	161 343 726
63	50	10	1230	161 343 027	161 343 037	161 343 727

d [mm]	DN [mm]	PN	kv-value ($\Delta p=1$ bar) [l/min]	FPM with turn limiter Code	kg
16	10	10	50	161 343 731	0.202
20	15	10	75	161 343 732	0.202
25	20	10	150	161 343 733	0.375
32	25	10	280	161 343 734	0.512
40	32	10	480	161 343 735	0.848
50	40	10	620	161 343 736	1.371
63	50	10	1230	161 343 737	2.636

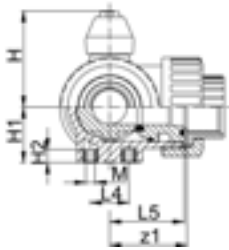
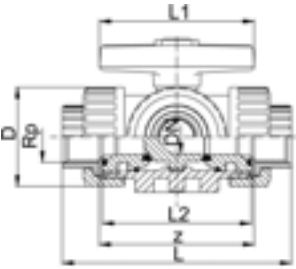
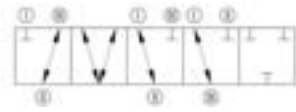
d [mm]	D [mm]	L [mm]	L1 [mm]	L2 [mm]	L3 [mm]	L4 [mm]	L5 [mm]	L6 [mm]	L7 [mm]	H [mm]	H1 [mm]	H2 [mm]	M
16	45	124	78	72	129	25	36	62	65	50	27	8	6
20	45	134	78	72	139	25	36	67	70	50	27	8	6
25	53	156	92	86	161	25	43	78	81	60	33	8	6
32	65	172	100	96	177	25	48	86	89	68	36	8	6
40	78	202	110	116	207	45	58	101	104	79	44	9	8
50	92	238	120	137	242	45	69	119	121	90	49	9	8
63	116	290	146	179	294	45	90	145	147	109	61	9	8



3-Way ball valve type 343 PVC-U Horizontal/ L-port With threaded sockets Rp

Model:

- L-port ball
- For easy installation and removal
- Ball seals PTFE
- Pneumatic or electric actuator available separately
- Angle of operation 360°, without turn limiter



Rp [inch]	DN [mm]	PN	kv-value ($\Delta p=1$ bar) [l/min]	EPDM Code	FPM Code	kg
3/8	10	10	50	161 343 041	161 343 051	0.199
1/2	15	10	75	161 343 042	161 343 052	0.199
3/4	20	10	150	161 343 043	161 343 053	0.370
1	25	10	280	161 343 044	161 343 054	0.504
1 1/4	32	10	480	161 343 045	161 343 055	0.838
1 1/2	40	10	620	161 343 046	161 343 056	1.359
2	50	10	1230	161 343 047	161 343 057	2.622

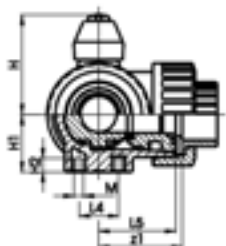
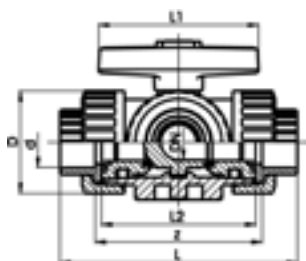
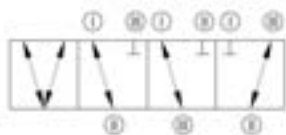
Rp [inch]	z [mm]	z1 [mm]	D [mm]	L [mm]	L1 [mm]	L2 [mm]	L4 [mm]	L5 [mm]	H [mm]	H1 [mm]	H2 [mm]	M
3/8	76	38	45	108	78	72	25	36	50	27	8	6
1/2	76	38	45	111	78	72	25	36	50	27	8	6
3/4	90	45	53	131	92	86	25	43	60	33	8	6
1	100	50	65	148	100	96	25	48	68	36	8	6
1 1/4	122	61	78	176	110	116	45	58	79	44	9	8
1 1/2	152	76	92	206	120	137	45	69	90	49	9	8
2	200	100	116	262	146	179	45	90	109	61	9	8



3-Way ball valve type 343 PVC-U Horizontal/ T-port With solvent cement sockets metric

Model:

- T-port ball
- Ball seal PTFE
- For easy installation and removal
- Pneumatic or electric actuator available separately
- Angle of operation 90°, without turn limiter



d [mm]	DN [mm]	PN	kv-value ($\Delta p=1$ bar) [l/min]	EPDM Code	FPM Code	kg	
16	10	10	140	161 343 201	161 343 211	0.199	
20	15	10	200	161 343 202	161 343 212	0.199	
25	20	10	470	161 343 203	161 343 213	0.370	
32	25	10	793	161 343 204	161 343 214	0.504	
40	32	10	1290	161 343 205	161 343 215	0.838	
50	40	10	1910	161 343 206	161 343 216	1.359	
63	50	10	3100	161 343 207	161 343 217	2.622	

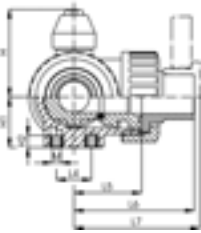
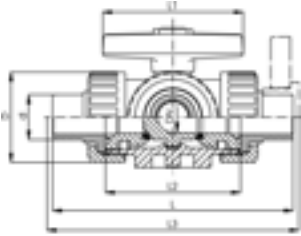
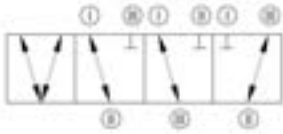
d [mm]	z [mm]	z1 [mm]	D [mm]	L [mm]	L1 [mm]	L2 [mm]	L4 [mm]	L5 [mm]	H [mm]	H1 [mm]	H2 [mm]	M	
16	80	40	45	108	78	72	25	36	50	27	8	6	
20	80	40	45	111	78	72	25	36	50	27	8	6	
25	94	47	53	131	92	86	25	43	60	33	8	6	
32	104	52	65	148	100	96	25	48	68	36	8	6	
40	126	63	78	176	110	116	45	58	79	44	9	8	
50	144	72	92	206	120	137	45	69	90	49	9	8	
63	186	93	116	262	146	179	45	90	109	61	9	8	



3-Way ball valve type 343 PVC-U Horizontal/ T-port With solvent cement spigots metric

Model:

- T-port ball
- Ball seal PTFE
- For easy installation and removal
- Pneumatic or electric actuator available separately
- Angle of operation 90°, without turn limiter



d [mm]	DN [mm]	PN	kv-value ($\Delta p=1$ bar) [l/min]	EPDM Code	FPM Code	kg	
16	10	10	140	161 343 221	161 343 231	0.199	
20	15	10	200	161 343 222	161 343 232	0.199	
25	20	10	470	161 343 223	161 343 233	0.370	
32	25	10	793	161 343 224	161 343 234	0.504	
40	32	10	1290	161 343 225	161 343 235	0.838	
50	40	10	1910	161 343 226	161 343 236	1.359	
63	50	10	3100	161 343 227	161 343 237	2.622	

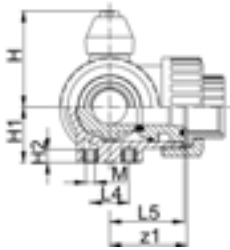
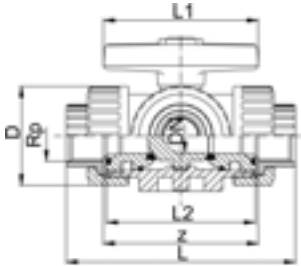
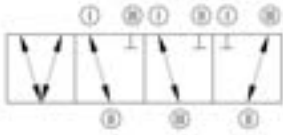
d [mm]	D [mm]	L [mm]	L1 [mm]	L2 [mm]	L3 [mm]	L4 [mm]	L5 [mm]	L6 [mm]	L7 [mm]	H [mm]	H1 [mm]	H2 [mm]	M	
16	45	124	78	72	129	25	36	62	65	50	27	8	6	
20	45	134	78	72	139	25	36	67	70	50	27	8	6	
25	53	156	92	86	161	25	43	78	81	60	33	8	6	
32	65	172	100	96	177	25	48	86	89	68	36	8	6	
40	78	202	110	116	207	45	58	101	104	79	44	9	8	
50	92	238	120	137	242	45	69	119	121	90	49	9	8	
63	116	290	146	179	294	45	90	145	147	109	61	9	8	



3-Way ball valve type 343 PVC-U Horizontal/ T-port With threaded sockets Rp

Model:

- T-port ball
- Ball seal PTFE
- For easy installation and removal
- Pneumatic or electric actuator available separately
- Angle of operation 90°, without turn limiter



Rp [inch]	DN [mm]	PN	kv-value ($\Delta p=1$ bar) [l/min]	EPDM Code	FPM Code	kg
3/8	10	10	140	161 343 241	161 343 251	0.199
1/2	15	10	200	161 343 242	161 343 252	0.199
3/4	20	10	470	161 343 243	161 343 253	0.370
1	25	10	793	161 343 244	161 343 254	0.504
1 1/4	32	10	1290	161 343 245	161 343 255	0.838
1 1/2	40	10	1910	161 343 246	161 343 256	1.359
2	50	10	3100	161 343 247	161 343 257	2.622

Rp [inch]	z [mm]	z1 [mm]	D [mm]	L [mm]	L1 [mm]	L2 [mm]	L4 [mm]	L5 [mm]	H [mm]	H1 [mm]	H2 [mm]	M
3/8	76	38	45	108	78	72	25	36	50	27	8	6
1/2	76	38	45	111	78	72	25	36	50	27	8	6
3/4	90	45	53	131	92	86	25	43	60	33	8	6
1	100	50	65	148	100	96	25	48	68	36	8	6
1 1/4	122	61	78	176	110	116	45	58	79	44	9	8
1 1/2	152	76	92	206	120	137	45	69	90	49	9	8
2	200	100	116	262	146	179	45	90	109	61	9	8



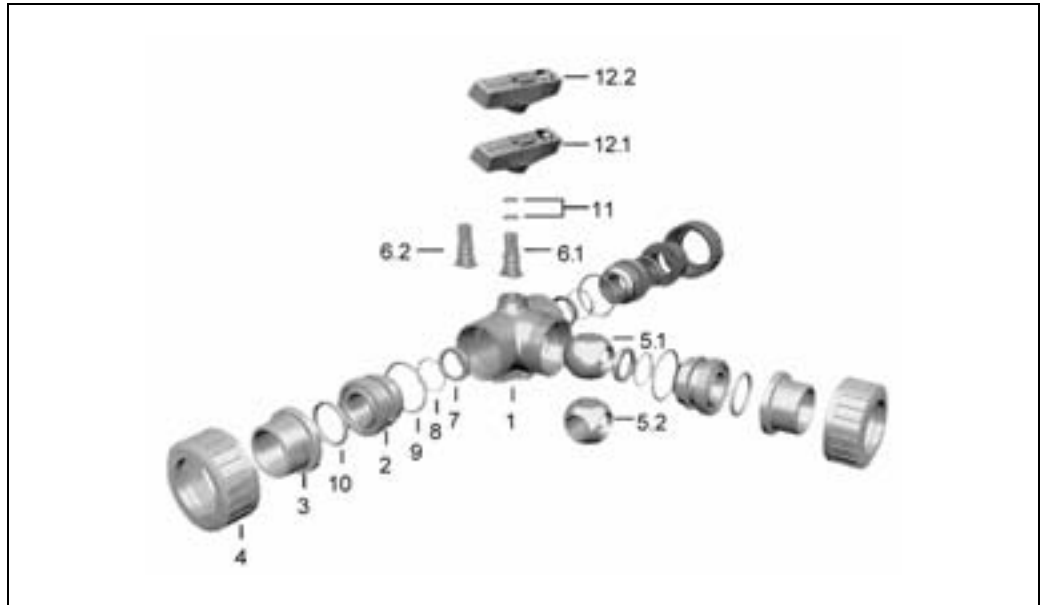
Turn limiter PVC-U

- For Type 343 horizontal, L-port
- add-on kit is affixable

d [mm]	DN [mm]	Inch [inch]	Code	GP	kg
16 - 20	10 - 15	3/8 - 1/2	161 490 775	-	0.003
25	20	3/4	161 490 776	-	0.005
32	25	1	161 490 777	-	0.007
40	32	1 1/4	161 490 778	-	0.015
50	40	1 1/2	161 490 779	-	0.015
63	50	2	161 490 780	-	0.020

Spare Parts Ball Valves Type 343

PVC-U



No.	Article/ Material	Pieces	d16 DN 10	d20 DN 15	d25 DN 20	d32 DN 25	d40 DN 32	d50 DN 40	d63 DN 50
8	Seal sets		161 484 941	161 484 941	161 484 942	161 484 943	161 484 944	161 484 945	161 484 946
	Backing seals EPDM	3							
9	Body seal EPDM	3							
10	Face seal EPDM	3							
11	Stem seals EPDM	2							
8	Seal sets		161 484 951	161 484 951	161 484 952	161 484 953	161 484 954	161 484 955	161 484 956
	Backing seals FPM	3							
9	Body seal FPM	3							
10	Face seal FPM	3							
11	Stem seals FPM	2							
5.1	Ball set, L-port		161 486 015	161 486 015	161 486 016	161 486 017	161 486 018	161 486 019	161 486 020
	L-port ball PVC-U	1							
7	Ball seals PTFE	3							
6.1	Stem PVC-U	1							
11	Stem seals EPDM	2							
12.1	Lever PVC-U	1							
5.1	Ball set, L-port		161 486 027	161 486 027	161 486 028	161 486 029	161 486 030	161 486 031	161 486 032
	L-port ball PVC-U	1							
7	Ball seals PTFE	3							
6.1	Stem PVC-U	1							
11	Stem seals FPM	2							
12.1	Lever PVC-U	1							
5.2	Ball set, T-port		161 486 039	161 486 039	161 486 040	161 486 041	161 486 042	161 486 043	161 486 044
	T-port ball PVC-U	1							
7	Ball seals PTFE	3							
6.2	Stem PVC-U	1							
11	Stem seals EPDM	2							
12.2	Lever PVC-U	1							
5.2	Ball set, T-port		161 486 051	161 486 051	161 486 052	161 486 053	161 486 054	161 486 055	161 486 056
	T-port ball PVC-U	1							
7	Ball seals PTFE	3							
6.2	Stem PVC-U	1							
11	Stem seals FPM	2							
12.2	Lever PVC-U	1							

No.	Article/ Material	Pieces	d16 DN 10	d20 DN 15	d25 DN 20	d32 DN 25	d40 DN 32	d50 DN 40	d63 DN50
1	Central parts, L-port Body PVC-U	1	161 490 439	161 490 439	161 490 440	161 490 441	161 490 442	161 490 443	161 490 444
5.1	L-port ball PVC-U	1							
7	Ball seals PTFE	3							
8	Backing seals EPDM	3							
9	Body seal EPDM	3							
2	Union bush PVC-U	3							
6.1	Stem PVC-U	1							
11	Stem seals EPDM	2							
12.1	Lever PVC-U	1							
1	Central parts, L-port Body PVC-U	1	161 490 450	161 490 450	161 490 451	161 490 452	161 490 453	161 490 454	161 490 455
5.1	L-port ball PVC-U	1							
7	Ball seals PTFE	3							
8	Backing seals FPM	3							
9	Body seal FPM	3							
2	Union bush PVC-U	3							
6.1	Stem PVC-U	1							
11	Stem seals FPM	2							
12.1	Lever PVC-U	1							
1	central part, T-port Body PVC-U	1	161 490 461	161 490 461	161 490 462	161 490 463	161 490 464	161 490 465	161 490 466
5.2	T-port ball PVC-U	1							
7	Ball seals PTFE	3							
8	Backing seals EPDM	3							
9	Body seal EPDM	3							
2	Union bush PVC-U	3							
6.2	Stem PVC-U	1							
11	Stem seals EPDM	2							
12.2	Lever PVC-U	1							
1	central part, T-port Body PVC-U	1	161 490 472	161 490 472	161 490 473	161 490 474	161 490 475	161 490 476	161 490 477
5.2	T-port ball PVC-U	1							
7	Ball seals PTFE	3							
8	Backing seals FPM	3							
9	Body seal FPM	3							
2	Union bush PVC-U	3							
6.2	Stem PVC-U	1							
11	Stem seals FPM	2							
12.2	Lever PVC-U	1							
3	Valve Ends with Socket, PVC-U metric	1	161 480 536	161 480 537	161 480 538	161 480 539	161 480 540	161 480 541	161 480 542
3	Valve Ends with Spigot, PVC-U metric	1	161 482 345	161 482 346	161 482 347	161 482 348	161 482 349	161 482 350	161 482 351
3	Valve Ends, PVC-U Rp	1	161 480 550	161 480 551	161 480 552	161 480 553	161 480 554	161 480 555	161 480 556
3	Valve Ends with Fusion Socket, PE80	1	173 480 000	173 480 001	173 480 002	173 480 003	173 480 004	173 480 005	173 480 006
3	Butt and Electro Fusion Spigots, PE100 SDR11	1	-	193 480 127	193 480 128	193 480 129	193 480 130	193 480 131	193 480 132
4	Union Nuts, PVC-U	1	161 340 617	161 340 617	161 340 618	161 340 619	161 340 620	161 340 621	161 480 522
12,1	Lever, PVC-U L-port	1	161 482 151	161 482 151	161 482 152	161 482 153	161 482 154	161 482 155	161 482 156
12,2	Lever, PVC-U T-port	1	161 486 175	161 486 175	161 486 176	161 486 177	161 486 178	161 486 179	161 486 180



Key PBTP black

- For assembly and disassembly of the union bush of ball valves type 323, 343, 346 and ball check valves 360

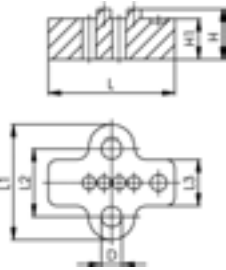
d-d [mm]	DN-DN [mm]	Inch	Code	GP	kg
16 - 63	10 - 50	3/8-2	160 480 106	-	0.038



Mounting block PP

- For diaphragm valve to be compatible with pipe clips type 061 and one spacer type 061
- For 3-way ball valve type 343 to be compatible with pipe clips type 061 and one spacer type 061
- **For dimensions DN 10-15, the two mounting blocks (No 2+6) have to be ordered separately. They are to be assembled together.**

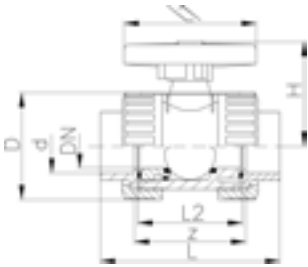
d-d [mm]	DN-DN [mm]	Inch	Block no.	Code	GP	kg
16 - 20	10 - 15	3/8-1/2	2	167 480 423	-	0.003
25 - 32	20 - 25	3/4-1	6	167 482 238	-	0.017
40 - 63	32 - 50	1 1/4-2	7	167 482 239	-	0.030



d-d [mm]	D [mm]	H [mm]	H1 [mm]	L [mm]	L1 [mm]	L2 [mm]	L3 [mm]
16 - 20	8	7	4	47	42	25	17
25 - 32	8	15	15	47	42	25	17
40 - 63	10	11	11	80	67	45	22

Metering ball valve

Metering ball valve type 323 PVC-U With solvent cement sockets metric

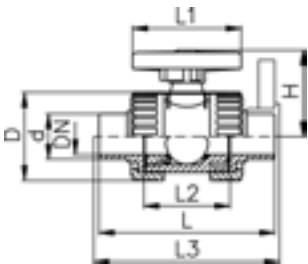


Model:

- For easy installation and removal
- Ball seals PTFE
- Angle of operation 180° with scale

d [mm]	DN [mm]	PN	kv-value ($\Delta p=1$ bar) [l/min]	EPDM Code	FPM Code	GP	kg
16	10	10	11	161 323 401	161 323 411	8	0.160
20	15	10	20	161 323 402	161 323 412	-	0.161

d [mm]	z	D	L	L1	L2	H
16	71	45	99	78	63	50
20	71	45	102	78	63	50



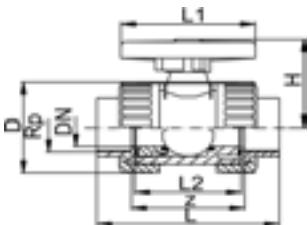
Metering ball valve type 323 PVC-U With solvent cement spigots metric

Model:

- For easy installation and removal
- Ball seals PTFE
- Angle of operation 180° with scale
- Overall length EN 558

d [mm]	DN [mm]	PN	kv-value ($\Delta p=1$ bar) [l/min]	EPDM Code	FPM Code	GP	kg
16	10	10	11	161 323 441	161 323 451	8	0.162
20	15	10	20	161 323 442	161 323 452	8	0.160

d [mm]	D	L	L1	L2	L3	H
16	45	114	78	63	120	50
20	45	124	78	63	130	50



Metering ball valve type 323 PVC-U With threaded sockets Rp

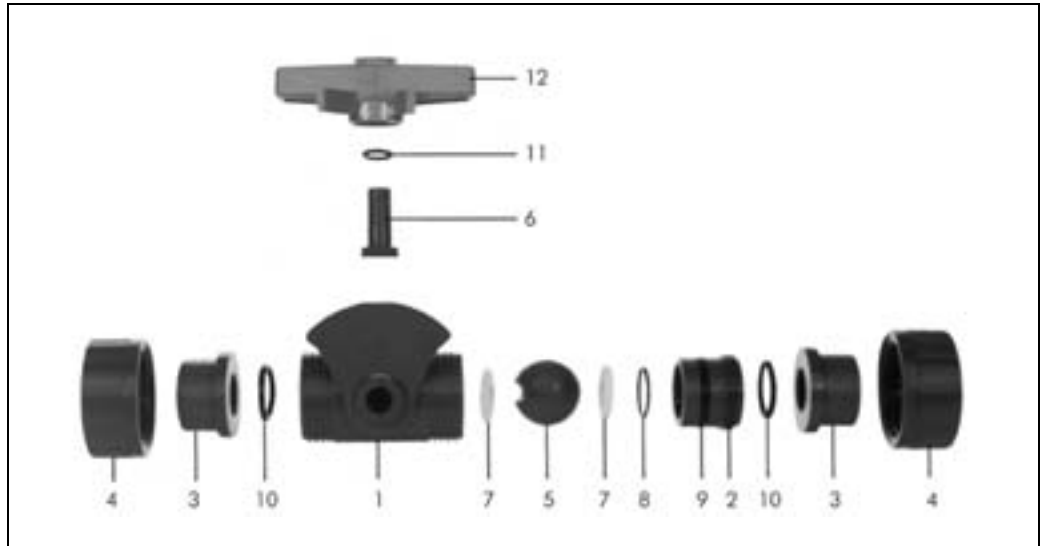
Model:

- For easy installation and removal
- Ball seals PTFE
- Angle of operation 180° with scale

Rp [inch]	DN [mm]	PN	kv-value ($\Delta p=1$ bar) [l/min]	EPDM Code	FPM Code	GP	kg
3/8	10	10	11	161 323 421	161 323 431	8	0.162
1/2	15	10	20	161 323 422	161 323 432	8	0.161

Rp [inch]	D	L	L1	L2	H	z
3/8	45	99	78	63	50	67
1/2	45	102	78	63	50	67

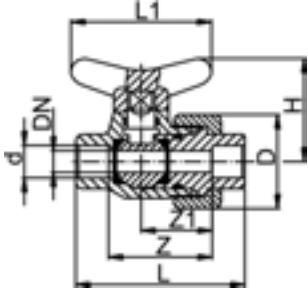
Spare Parts Metering Ball Valves Type 323, PVC-U



No.	Article/ Material	Pieces	d16 DN 10	d20 DN 15
	Ball Sets		161 482 986	161 482 987
5	Ball PVC-U	1		
7	Ball seals PTFE	2		
6	Stem PVC-U	1		
11	Stem seals EPDM	1		
12	Lever PVC-U	1		
	Ball Sets		161 482 989	161 482 990
5	Ball PVC-U	1		
7	Ball seals PTFE	2		
6	Stem PVC-U	1		
11	Stem seals FPM	1		
12	Lever PVC-U	1		
	Seal Sets		161 482 883 No. 11, 1 piece	161 482 883 No. 11, 1 piece
8	Backing seals EPDM	1		
9	Body seal EPDM	1		
10	Face seal EPDM	2		
11	Stem seals EPDM	1		
	Seal Sets		161 482 892 No. 11, 1 piece	161 482 892 No. 11, 1 piece
8	Backing seals FPM	1		
9	Body seal FPM	1		
10	Face seal FPM	2		
11	Stem seals FPM	1		
2	Union Bushes, PVC-U	1	161 482 339	161 482 339
10	Union seals, EPDM	1	748 410 042	748 410 042
10	Union seals, FPM	1	749 410 042	749 410 042
3	Valve Ends with Socket, PVC-U metric	1	161 480 536	161 480 537
3	Valve Ends with Spigot, PVC-U metric	1	161 482 345	161 482 346
3	Valve Ends, PVC-U Rp	1	161 480 550	161 480 551
3	Butt and Electro Fusion Spigots, PE100 SDR11	1	-	193 480 127
4	Union Nuts, PVC-U	1	161 340 617	161 340 617
12	Lever, PVC-U	1	161 480 724	161 480 724

Laboratory ball cock

Laboratory ball cock type 322 PVC-U With solvent cement sockets metric

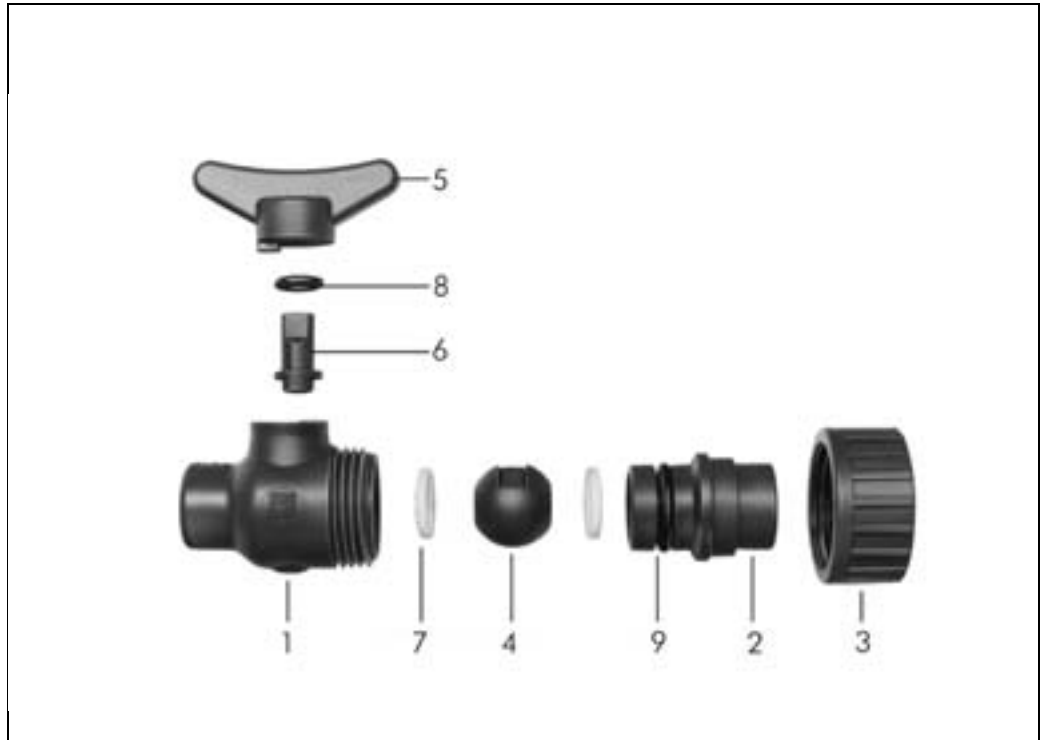


Model:

- Disconnection one end only
- Ball seals PTFE

d [mm]	DN [mm]	PN	EPDM Code	FPM Code	GP	kg	D [mm]	L [mm]	L1 [mm]	H [mm]	z [mm]	z1 [mm]
10	6	10	161 322 150	161 322 199	40	0.043	34	52	45	38	26	15
12	8	10	161 322 200	161 322 249	40	0.050	34	60	45	38	36	25

Spare Parts Laboratory Ball Cocks Type 322, PVC-U

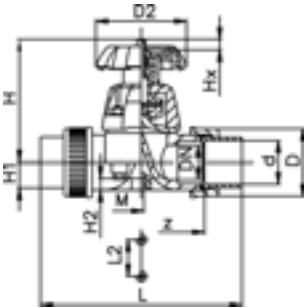


No.	Article/ Material	Pieces
	Ball Sets	
4	Ball PVC-U	1
7	Ball seals PTFE	2
6	Stem PVC-U	1
8	Stem seals EPDM	1
	Ball Sets	
4	Ball PVC-U	1
7	Ball seals PTFE	2
6	Stem PVC-U	1
8	Stem seals FPM	1
	Seal Sets	
8	Stem seals EPDM	1
9	Body seal EPDM	1
	Seal Sets	
8	Stem seals FPM	1
9	Body seal FPM	1
2	Valve Ends, PVC-U	1
3	Union Nuts, PVC-U	1
5	Levers, PVC-U	1

d10 DN 6	d12 DN 8
161 482 978	161 482 978
161 482 980	161 482 980
161 482 982	161 482 982
161 482 984	161 482 984
161 322 152	161 322 202
161 322 203	161 322 203
161 322 205	161 322 205

Diaphragm valves

Diaphragm valve type 314 PVC-U With solvent cement sockets metric



Model:

- For easy installation and removal
- Short overall length

Option:

- Handwheel with built-in locking mechanism (standard version is nonlockable)

d [mm]	DN [mm]	PN	kv-value ($\Delta p=1$ bar) [l/min]	NBR Code	EPDM Code	CSM Code	PTFE with EPDM supp. diaphragm Code
16	10	10	72	161 314 401	161 314 416	161 314 446	161 314 431
20	15	10	72	161 314 402	161 314 417	161 314 447	161 314 432
25	20	10	137	161 314 403	161 314 418	161 314 448	161 314 433
32	25	10	207	161 314 404	161 314 419	161 314 449	161 314 434
40	32	10	354	161 314 405	161 314 420	161 314 450	161 314 435
50	40	10	517	161 314 406	161 314 421	161 314 451	161 314 436
63	50	10	713	161 314 407	161 314 422	161 314 452	161 314 437

d [mm]	DN [mm]	PN	kv-value ($\Delta p=1$ bar) [l/min]	FPM Code	GP	kg
16	10	10	72	161 314 461	-	0.360
20	15	10	72	161 314 462	-	0.354
25	20	10	137	161 314 463	-	0.542
32	25	10	207	161 314 464	-	0.870
40	32	10	354	161 314 465	-	1.125
50	40	10	517	161 314 466	-	1.515
63	50	10	713	161 314 467	-	2.765

d [mm]	z [mm]	D [mm]	D2 [mm]	L [mm]	L2 [mm]	H [mm]	H1 [mm]	H2 [mm]	M	Lift = Hx [mm]
16	142	43	80	170	25	90	14	12	M6	8
20	96	43	80	128	25	90	14	12	M6	8
25	114	51	80	152	25	102	18	12	M6	11
32	122	58	94	166	25	119	21	12	M6	13
40	140	72	117	192	45	126	26	15	M8	16
50	160	83	117	222	45	139	33	15	M8	21
63	190	100	152	266	45	172	39	15	M8	28



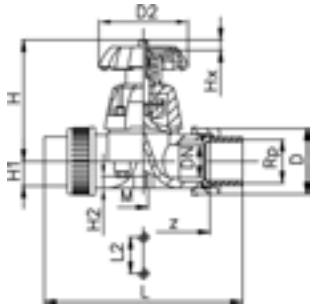
Diaphragm valve type 314 PVC-U With threaded sockets Rp

Model:

- For easy installation and removal
- Short overall length

Option:

- Handwheel with built-in locking mechanism (standard version is nonlockable)



Rp [inch]	DN [mm]	PN	kv-value ($\Delta p=1$ bar) [l/min]	NBR Code	EPDM Code	CSM Code	PTFE with EPDM supp. diaphragm Code
1/2	15	10	72	161 314 502	161 314 517	161 314 547	161 314 532
3/4	20	10	137	161 314 503	161 314 518	161 314 548	161 314 533
1	25	10	207	161 314 504	161 314 519	161 314 549	161 314 534
1 1/4	32	10	354	161 314 505	161 314 520	161 314 550	161 314 535
1 1/2	40	10	517	161 314 506	161 314 521	161 314 551	161 314 536
2	50	10	713	161 314 507	161 314 522	161 314 552	161 314 537

Rp [inch]	DN [mm]	PN	kv-value ($\Delta p=1$ bar) [l/min]	FPM Code	GP	kg
1/2	15	10	72	161 314 562	-	0.354
3/4	20	10	137	161 314 563	-	0.542
1	25	10	207	161 314 564	-	0.870
1 1/4	32	10	354	161 314 565	-	1.125
1 1/2	40	10	517	161 314 566	-	1.515
2	50	10	713	161 314 567	-	2.765

Rp [inch]	z [mm]	D [mm]	D2 [mm]	L [mm]	L2 [mm]	H [mm]	H1 [mm]	H2 [mm]	M	Lift = Hx [mm]
1/2	102	43	80	128	25	90	14	12	M6	8
3/4	122	51	80	152	25	102	18	12	M6	11
1	132	58	94	166	25	119	21	12	M6	13
1 1/4	154	72	117	192	45	126	26	15	M8	16
1 1/2	184	83	117	222	45	139	33	15	M8	21
2	220	100	152	266	45	172	39	15	M8	28



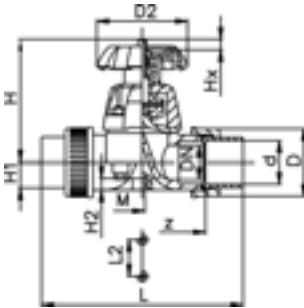
Diaphragm valve type 314 PVC-U With fusion sockets PE80

Model:

- For easy installation and removal
- Short overall length

Option:

- Handwheel with built-in locking mechanism (standard version is nonlockable)



d [mm]	DN [mm]	PN	kv-value ($\Delta p=1$ bar) [l/min]	EPDM Code	GP	kg
20	15	10	72	161 314 477	-	0.355
25	20	10	137	161 314 478	-	0.540
32	25	10	207	161 314 479	-	0.870
40	32	10	354	161 314 480	-	1.115
50	40	10	517	161 314 481	-	1.510
63	50	10	713	161 314 482	-	2.740

d [mm]	z [mm]	D [mm]	D2 [mm]	L [mm]	L2 [mm]	H [mm]	H1 [mm]	H2 [mm]	M	Lift = Hx [mm]
20	100	43	80	128	25	90	14	12	M6	8
25	118	51	80	150	25	102	18	12	M6	11
32	126	58	94	162	25	119	21	12	M6	13
40	144	72	117	184	45	126	26	15	M8	16
50	164	83	117	210	45	139	33	15	M8	21
63	194	100	152	248	45	172	39	15	M8	28



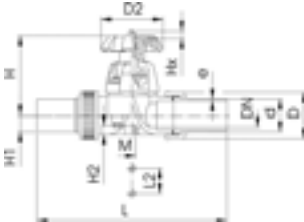
Diaphragm valve type 314 PVC-U With butt and electro fusion ends PE100 SDR11 metric

Model:

- For easy installation and removal
- Short overall length

Option:

- Handwheel with built-in locking mechanism (standard version is nonlockable)



d [mm]	DN [mm]	PN	kv-value ($\Delta p=1$ bar) [l/min]	EPDM Code	GP	kg
20	15	10	72	161 314 577	-	0.360
25	20	10	137	161 314 578	-	0.545
32	25	10	207	161 314 579	-	0.875
40	32	10	354	161 314 580	-	1.130
50	40	10	517	161 314 581	-	1.545
63	50	10	713	161 314 582	-	2.780

d [mm]	D [mm]	D2 [mm]	L [mm]	L2 [mm]	H [mm]	H1 [mm]	H2 [mm]	M	Lift = Hx [mm]	e [mm]
20	43	80	224	25	90	14	12	M6	8	1,9
25	51	80	250	25	102	18	12	M6	11	2,3
32	58	94	262	25	119	21	12	M6	13	3
40	72	117	296	45	126	26	15	M8	16	3,7
50	83	117	328	45	139	33	15	M8	21	4,6
63	100	152	370	45	172	39	15	M8	28	5,8

Spare Parts Diaphragm Valves Type 314, PVC-U



No.	Article/ Material	Pieces	d20 DN 15	d25 DN 20	d32 DN 25	d40 DN 32	d50 DN 40	d63 DN50
1	Bonnets complete (without diaphragm), Elastomer diaphragms	1	161 484 625	161 484 626	161 484 627	161 484 628	161 484 629	161 484 630
1	Bonnets complete (without diaphragm), PTFE diaphragms	1	161 484 632	161 484 633	161 484 634	161 484 635	161 484 636	161 484 637
2	Diaphragms, NBR	1	161 311 710	161 311 711	161 311 712	161 311 713	161 311 714	161 311 715
2	Diaphragms, EPDM	1	161 481 022	161 481 023	161 481 024	161 481 025	161 481 026	161 481 027
2	Diaphragms, FPM	1	161 484 152	161 484 153	161 484 154	161 484 155	161 484 156	161 484 157
2	Diaphragms, PTFE/EPDM	1	161 311 698	161 311 699	161 311 700	161 311 701	161 311 702	161 311 703
2	Diaphragms, PTFE/FPM	1	161 481 926	161 481 927	161 481 928	161 481 929	161 481 930	161 481 931
2	Diaphragms, CSM	1	161 311 728	161 311 729	161 311 730	161 311 731	161 311 732	161 311 733
3	Pressure Spindles, Elastomer diaphragms	1	161 484 688	161 484 689	161 484 690	161 484 691	161 484 692	161 484 693
3	Pressure Spindles, PTFE diaphragms	1	161 484 696	161 484 697	161 484 698	161 484 699	161 484 700	161 484 701
4	Fastening Sets, Stainless steel	1	161 484 704	161 484 705	161 484 706	161 484 707	161 484 708	161 484 709
5	Valve Bodies, PVC-U	1	161 481 218	161 481 219	161 481 220	161 481 221	161 481 222	161 481 223
6	Union Nuts, PVC-U	1	721 690 006	721 690 007	721 690 008	721 690 009	721 690 010	721 690 011
7	Union Ends with Socket, PVC-U metric	1	721 600 106	721 600 107	721 600 108	721 600 109	721 600 110	721 600 111
7	Union Ends with Spigot, PVC-U metric	1	721 600 406	721 600 407	721 600 408	721 600 409	721 600 410	721 600 411
7	Union Ends, PVC-U Rp	1	721 600 656	721 600 657	721 600 658	721 600 659	721 600 660	721 600 661
7	Union Ends Blank, PVC-U	1	721 600 006	721 600 007	721 600 008	721 600 009	721 600 010	721 600 011
7	Union Ends, PE80	1	734 600 106	734 600 107	734 600 108	734 600 109	734 600 110	734 600 111
7	Union Ends Long, PE100 for butt- and electro fusion	1	753 608 616	753 608 617	753 608 618	753 608 619	753 608 620	753 608 621
8	O-Ring Gaskets, Union end seal for elastomer diaphragm, EPDM	1	748 410 038	748 410 044	748 410 195	748 410 052	748 410 134	748 410 135
8	O-Ring Gaskets, Union end seal for PTFE diaphragm, FPM	1	749 410 038	749 410 044	749 410 195	749 410 052	749 410 134	749 410 135



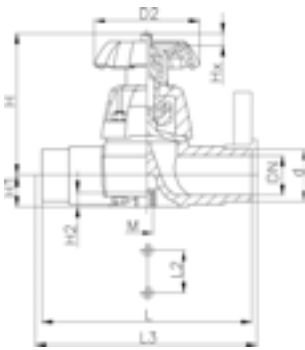
Diaphragm valve type 315 PVC-U With solvent cement spigots metric

Model:

- Overall length EN 558

Option:

- Handwheel with built-in locking mechanism (standard version is nonlockable)

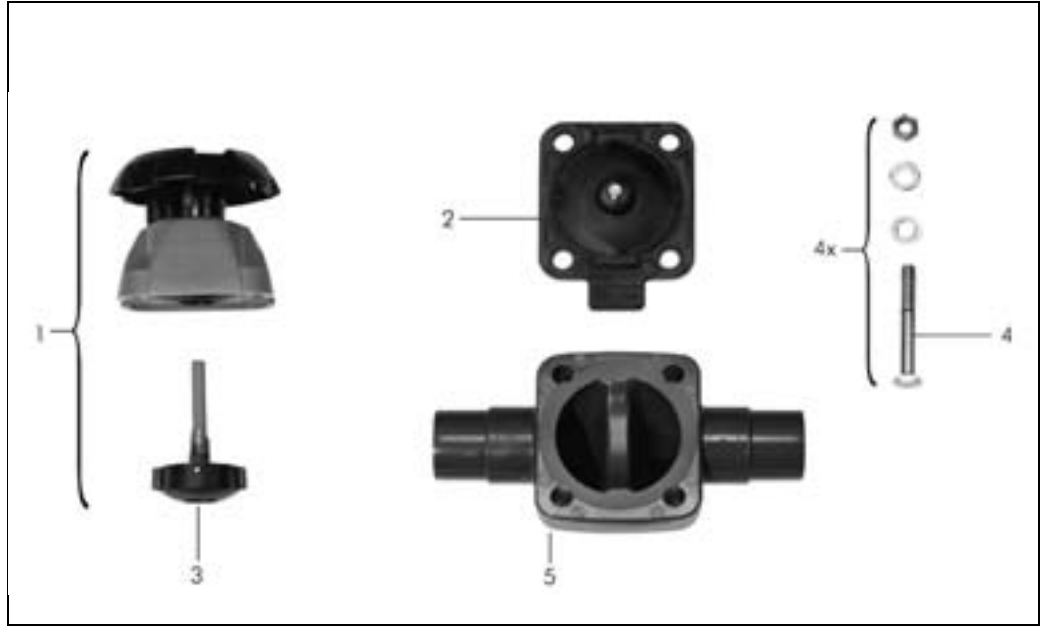


d [mm]	DN [mm]	PN	kv-value ($\Delta p=1$ bar) [l/min]	NBR Code	EPDM Code	CSM Code	PTFE with EPDM supp. diaphragm Code
20	15	10	72	161 315 402	161 315 417	161 315 447	161 315 432
25	20	10	137	161 315 403	161 315 418	161 315 448	161 315 433
32	25	10	207	161 315 404	161 315 419	161 315 449	161 315 434
40	32	10	354	161 315 405	161 315 420	161 315 450	161 315 435
50	40	10	517	161 315 406	161 315 421	161 315 451	161 315 436
63	50	10	713	161 315 407	161 315 422	161 315 452	161 315 437

d [mm]	DN [mm]	PN	kv-value ($\Delta p=1$ bar) [l/min]	FPM Code	GP	kg
20	15	10	72	161 315 462	-	0.300
25	20	10	137	161 315 463	-	0.430
32	25	10	207	161 315 464	-	0.740
40	32	10	354	161 315 465	-	0.929
50	40	10	517	161 315 466	-	1.255
63	50	10	713	161 315 467	-	2.367

d [mm]	D2 [mm]	L [mm]	L2 [mm]	L3 [mm]	H [mm]	H1 [mm]	H2 [mm]	M	Lift = Hx [mm]
20	80	124	25	130	90	14	12	M6	8
25	80	144	25	150	102	18	12	M6	11
32	94	154	25	160	119	21	12	M6	13
40	117	174	45	180	126	26	15	M8	16
50	117	194	45	200	139	33	15	M8	21
63	152	224	45	230	172	39	15	M8	28

Spare Parts Diaphragm Valves Type 315, PVC-U



No.	Article/ Material	Pieces	d20 DN 15	d25 DN 20	d32 DN 25	d40 DN 32	d50 DN 40	d63 DN50
1	Bonnets complete (without diaphragm), Elastomer diaphragms	1	161 484 625	161 484 626	161 484 627	161 484 628	161 484 629	161 484 630
1	Bonnets complete (without diaphragm), PTFE diaphragms	1	161 484 632	161 484 633	161 484 634	161 484 635	161 484 636	161 484 637
2	Diaphragms, NBR	1	161 311 710	161 311 711	161 311 712	161 311 713	161 311 714	161 311 715
2	Diaphragms, EPDM	1	161 481 022	161 481 023	161 481 024	161 481 025	161 481 026	161 481 027
2	Diaphragms, FPM	1	161 484 152	161 484 153	161 484 154	161 484 155	161 484 156	161 484 157
2	Diaphragms, PTFE/EPDM	1	161 311 698	161 311 699	161 311 700	161 311 701	161 311 702	161 311 703
2	Diaphragms, PTFE/FPM	1	161 481 926	161 481 927	161 481 928	161 481 929	161 481 930	161 481 931
2	Diaphragms, CSM	1	161 311 728	161 311 729	161 311 730	161 311 731	161 311 732	161 311 733
3	Pressure Spindles, Elastomer diaphragms	1	161 484 688	161 484 689	161 484 690	161 484 691	161 484 692	161 484 693
3	Pressure Spindles, PTFE diaphragms	1	161 484 696	161 484 697	161 484 698	161 484 699	161 484 700	161 484 701
4	Fastening Sets, Stainless steel	1	161 484 704	161 484 705	161 484 706	161 484 707	161 484 708	161 484 709
5	Valve Bodies, PVC-U	1	161 481 274	161 481 275	161 481 276	161 481 277	161 481 278	161 481 279



Diaphragm valve type 317 PVC-U With flanges PVC-U metric

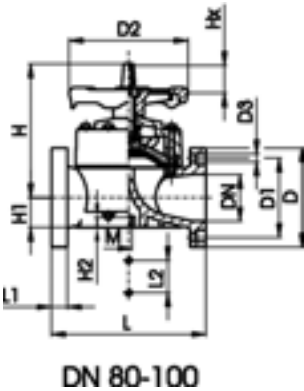
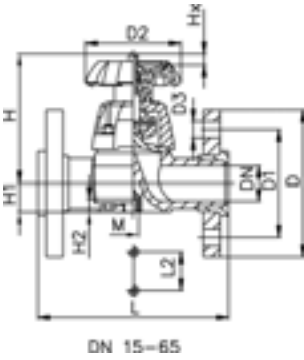
Model:

- Jointing face flat
- DN 15-65 with backing flange
- DN 80-150 with fixed flange
- Overall length according to EN 558
- Connecting dimension: ISO 7005 PN 10, EN 1092 PN 10, DIN 2501 PN 10, BS 4504 PN 10

Option:

- Handwheel lockable DN15-65 (basic version not lockable)

* DN80 and DN150 fixed flanges metric and Inch ANSI B16.5



d [mm]	DN [mm]	Inch	PN	kv-value ($\Delta p=1$ bar) [l/min]	NBR Code	EPDM Code	CSM Code	
20	15	½	10	72	161 317 502	161 317 517	161 317 547	
25	20	¾	10	137	161 317 503	161 317 518	161 317 548	
32	25	1	10	207	161 317 504	161 317 519	161 317 549	
40	32	1 ¼	10	354	161 317 505	161 317 520	161 317 550	
50	40	1 ½	10	517	161 317 506	161 317 521	161 317 551	
63	50	2	10	713	161 317 507	161 317 522	161 317 552	
75	65	2 ½	10	992	161 317 508	161 317 523	161 317 553	
*90	80	3	10	1700	161 317 009	161 317 024	161 317 054	
110	100	4	10	2700	161 317 010	161 317 025	161 317 055	
*160	150	6	7	6033	161 317 012	161 317 027	161 317 057	

d [mm]	DN [mm]	Inch	PN	kv-value ($\Delta p=1$ bar) [l/min]	PTFE with EPDM supp. diaphragm Code	FPM Code	GP	kg	
20	15	½	10	72	161 317 532	161 317 562	-	0.448	
25	20	¾	10	137	161 317 533	161 317 563	-	0.650	
32	25	1	10	207	161 317 534	161 317 564	-	1.040	
40	32	1 ¼	10	354	161 317 535	161 317 565	-	1.350	
50	40	1 ½	10	517	161 317 536	161 317 566	-	1.835	
63	50	2	10	713	161 317 537	161 317 567	-	3.120	
75	65	2 ½	10	992	161 317 538	161 317 568	-	4.300	
*90	80	3	10	1700	161 317 039	161 317 069	-	9.700	
110	100	4	10	2700	161 317 040	161 317 070	-	13.600	
*160	150	6	7	6033	161 317 042	161 317 072	-	27.000	

d [mm]	D [mm]	D1 [mm]	D2 [mm]	D3 [mm]	L [mm]	L1 [mm]	L2 [mm]	L3 [mm]	H [mm]	H1 [mm]	H2 [mm]	M	AL	Lift = Hx [mm]
20	95	65	80	14	130		25		90	14	12	M6	4	8
25	105	75	80	14	150		25		102	18	12	M6	4	11
32	115	85	94	14	160		25		119	21	12	M6	4	13
40	140	100	117	18	180		45		126	26	15	M8	4	16
50	150	110	117	18	200		45		139	33	15	M8	4	21
63	165	125	152	18	230		45		172	39	15	M8	4	28
75	185	145	152	18	290		70		201	46	15	M8	4	30
*90	200	160	270	18	310	35	120		265	57	23	M12	8	40
110	225	180	270	18	350	35	120		304	69	23	M12	8	50
*160	285	240	400	23	480	26	100	200	437	108	23	M12	8	70

Component Parts for Flange Assembly of Diaphragm Valves Type 317

21 81 01

Flange Adaptors, PVC-U
Jointing face with O-ring groove, metric



d	DN	PN	Code	kg	
20	15	16	721 810 106	0,011	
25	20	16	721 810 107	0,018	
32	25	16	721 810 108	0,027	
40	32	16	721 810 109	0,045	
50	40	16	721 810 110	0,067	
63	50	16	721 810 111	0,122	
75	65	16	721 810 112	0,182	
90	80	16	721 810 113	0,291	
110	100	16	721 810 114	0,468	
160	150	16	721 810 117	1,180	

21 80 01

Flange Adaptors PVC-U
Jointing face flat, metric

d	DN	PN	Code	kg	
20	15	16	721 800 106	0,010	
25	20	16	721 800 107	0,015	
32	25	16	721 800 108	0,024	
40	32	16	721 800 109	0,038	
50	40	16	721 800 110	0,055	
63	50	16	721 800 111	0,104	
75	65	16	721 800 112	0,155	
90	80	16	721 800 113	0,156	
110	100	16	721 800 114	0,417	
160	150	16	721 790 117	1,077	

EPDM 48 41 01
FPM 49 41 01

O-Ring Gaskets

d	DN	inch	EPDM Code	FPM Code	kg	
20	15	1/2	748 410 001	749 410 001	0,002	
25	20	3/4	748 410 007	749 410 007	0,002	
32	25	1	748 410 002	749 410 002	0,003	
40	32	1 1/4	748 410 003	749 410 003	0,007	
50	40	1 1/2	748 410 012	749 410 012	0,008	
63	50	2	748 410 013	749 410 013	0,011	
75	65	2 1/2	748 410 014	749 410 014	0,012	
90	80	3	748 410 015	749 410 015	0,015	
110	100	4	748 410 016	749 410 016	0,031	
160	150	6	748 410 019	749 410 019	0,044	

EPDM 48 44 01
FPM 49 44 01

Flange Gaskets

d	EPDM Code	FPM Code	kg
20	748 440 101	749 440 101	0,008
25	748 440 102	749 440 102	0,011
32	748 440 103	749 440 103	0,014
40	748 440 104	749 440 104	0,020
50	748 440 105	749 440 105	0,021
63	748 440 106	749 440 106	0,040
75	748 440 107	749 440 107	0,054
90	748 440 108	749 440 108	0,060
110	748 440 109	749 440 109	0,083
160	748 440 112	749 440 112	0,149

21 70 00

Backing Flanges, PVC-U metric

d	DN	inch	PN	Code	kg
20	15	1/2	10	721 700 006	0,067
25	20	3/4	10	721 700 007	0,091
32	25	1	10	721 700 008	0,131
40	32	1 1/4	10	721 700 009	0,194
50	40	1 1/2	10	721 700 010	0,245
63	50	2	10	721 700 011	0,311
75	65	2 1/2	10	721 700 012	0,375
90	80	3	10	721 700 013	0,471
110	100	4	10	721 700 014	0,554
160	150	6	10	721 700 017	1,012

Backing Flanges, PP-V for Socket Systems metric

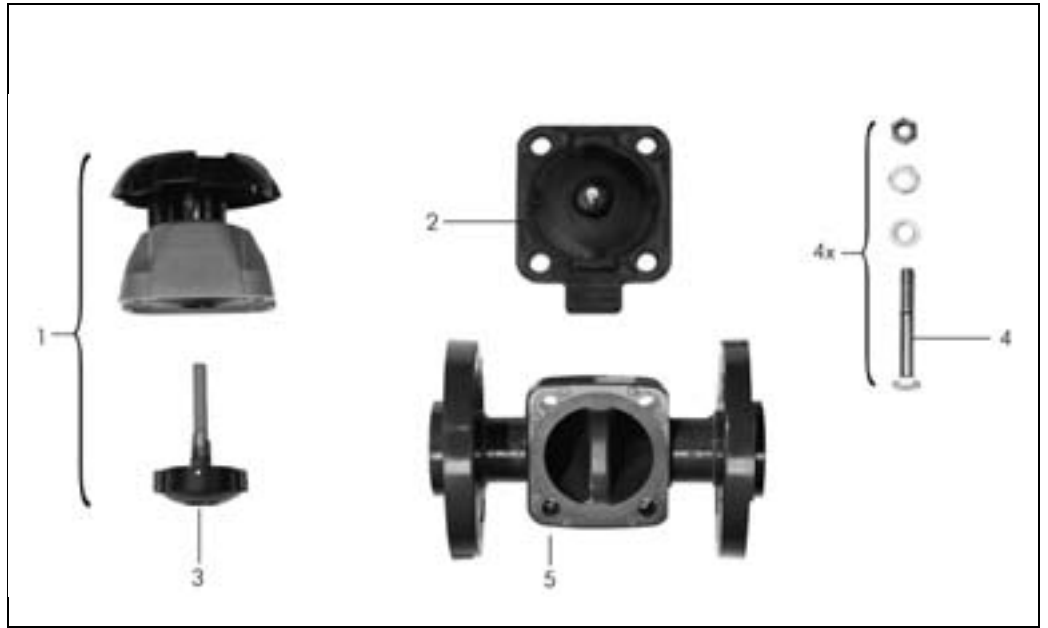
d	DN	inch	PN	Code	SP	kg
20	15		16	727 700 406	-	0,080
25	20		16	727 700 407	-	0,100
32	25		16	727 700 408	-	0,140
40	32		16	727 700 409	-	0,220
50	40		16	727 700 410	-	0,210
63	50		16	727 700 411	-	0,380
75	65		16	727 700 412	-	0,480
90	80		16	727 700 413	-	0,520
110	100		16	727 700 414	-	0,680
140	125		16	727 700 416	-	0,800
160	150	6	16	727 700 417	-	1,200

27 70 02

**Backing Flanges, PP with steel ring
metric
for Socket Systems metric**

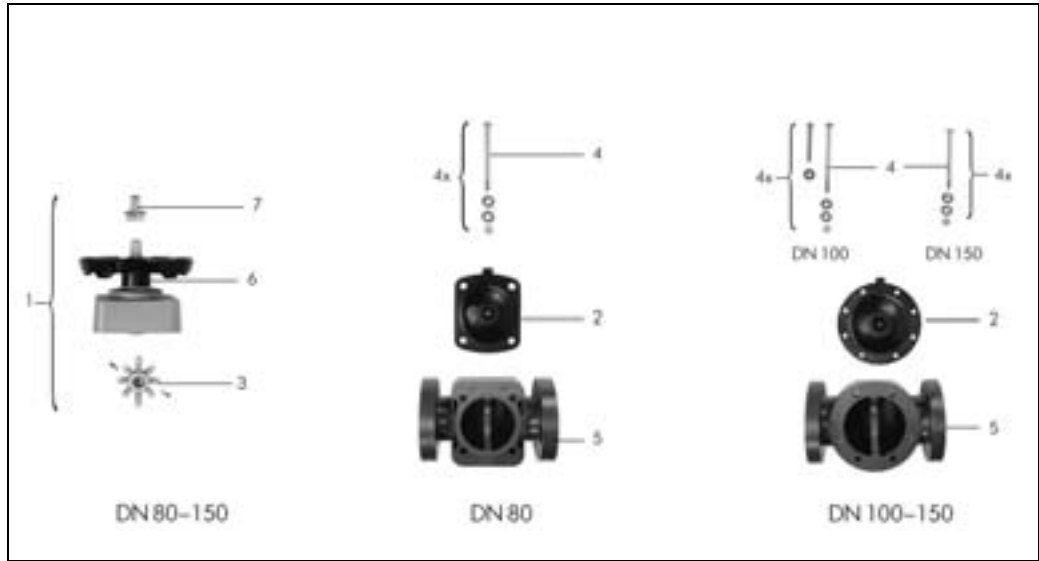
d	DN	PN	Code	kg	
20	15	16	727 700 206	0,220	
25	20	16	727 700 207	0,260	
32	25	16	727 700 208	0,430	
40	32	16	727 700 209	0,650	
50	40	16	727 700 210	0,820	
63	50	16	727 700 211	0,940	
75	65	16	727 700 212	1,300	
90	80	16	727 700 213	1,400	
110	100	16	727 700 214	1,560	
160	150	16	727 700 217	3,390	

Spare Parts Diaphragm Valves Type 317 (DN15-65), PVC-U



No.	Article/ Material	Pieces	d20 DN 15	d25 DN 20	d32 DN 25	d40 DN 32	d50 DN 40	d63 DN50	d75 DN 65
1	Bonnets complete (without diaphragm), Elastomer diaphragms	1	161 484 625	161 484 626	161 484 627	161 484 628	161 484 629	161 484 630	161 484 631
1	Bonnets complete (without diaphragm), PTFE diaphragms	1	161 484 632	161 484 633	161 484 634	161 484 635	161 484 636	161 484 637	161 484 638
2	Diaphragms, NBR	1	161 311 710	161 311 711	161 311 712	161 311 713	161 311 714	161 311 715	161 480 231
2	Diaphragms, EPDM	1	161 481 022	161 481 023	161 481 024	161 481 025	161 481 026	161 481 027	161 481 028
2	Diaphragms, FPM	1	161 484 152	161 484 153	161 484 154	161 484 155	161 484 156	161 484 157	161 484 158
2	Diaphragms, PTFE/EPDM	1	161 311 698	161 311 699	161 311 700	161 311 701	161 311 702	161 311 703	161 480 240
2	Diaphragms, PTFE/FPM	1	161 481 926	161 481 927	161 481 928	161 481 929	161 481 930	161 481 931	161 481 932
2	Diaphragms, CSM	1	161 311 728	161 311 729	161 311 730	161 311 731	161 311 732	161 311 733	161 480 237
3	Pressure Spindles, Elastomer diaphragms	1	161 484 688	161 484 689	161 484 690	161 484 691	161 484 692	161 484 693	161 484 694
3	Pressure Spindles, PTFE diaphragms	1	161 484 696	161 484 697	161 484 698	161 484 699	161 484 700	161 484 701	161 484 702
4	Fastening Sets, Stainless steel	1	161 484 704	161 484 705	161 484 706	161 484 707	161 484 708	161 484 709	161 483 032
5	Valve Bodies with PVC-U Backing Flanges	1	161 483 110	161 483 111	161 483 112	161 483 113	161 483 114	161 483 115	161 483 116

Spare Parts Diaphragm Valves Type 317 (DN80-150), PVC-U

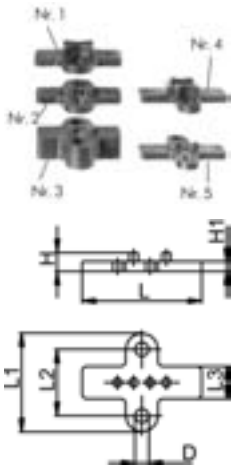


No.	Article/ Material	Pieces	d90 DN 80	d110 DN 100	d160 DN 150
1	Bonnets complete (without diaphragm), Elastomer diaphragms	1	161 482 514	161 482 515	161 482 901
1	Bonnets complete (without diaphragm), PTFE diaphragms	1	161 482 516	161 482 517	161 482 906
2	Diaphragms, NBR	1	161 480 232	161 480 233	161 482 751
2	Diaphragms, EPDM	1	161 481 029	161 481 030	161 482 754
2	Diaphragms, FPM	1	161 484 159	161 484 160	161 484 226
2	Diaphragms, PTFE/EPDM	1	161 480 241	161 480 242	161 482 760
2	Diaphragms, CSM	1	161 480 238	161 480 239	161 482 757
3	Pressure Spindles, Elastomer diaphragms	1	161 483 008	161 483 009	161 483 011
3	Pressure Spindles, PTFE diaphragms	1	161 483 020	161 483 021	161 483 023
4	Fastening Sets, Stainless steel	1	161 483 033	161 483 034	161 483 037
5	Valve Bodies with PVC-U Fixed Flanges	1	161 481 764	161 481 765	161 482 696
6	O-Ring Gaskets, NBR	1	745 410 107	745 410 107	-
6	O-Ring Gaskets, EPDM	1	-	-	748 410 212
7	Caps, PVC-U SAN	1	161 481 759	161 481 759	161 482 744



Handwheel with built-in locking mechanism For diaphragm valve type 314 / 315 / 317 / 319

d-d [mm]	DN-DN [mm]	d-d [inch]	Code	GP	kg
20 - 25	15 - 20	½ - ¾	167 481 943	-	0.032
32 -	25 -	1 -	167 481 944	-	0.043
40 - 50	32 - 40	1 ¼ - 1 ½	167 481 945	-	0.071
63 - 75	50 - 65	2 - 2 ½	167 481 946	-	0.217



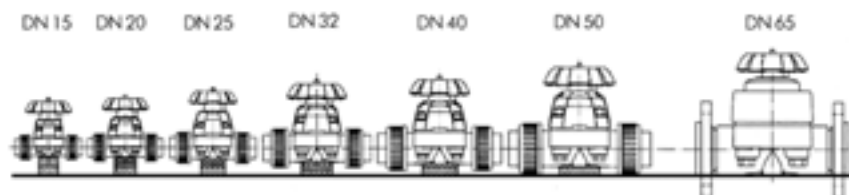
Mounting block PP

- For Diaphragm Valves 314, 315 and 317 (DN 15-50)

d-d [mm]	DN-DN [mm]	Inch	Block no.	Code	GP	kg
20 - 32	15 - 20	1/2 - 1	1	167 480 422	-	0.005
16 - 20	10 - 15	3/8-1/2	2	167 480 423	-	0.003
-	-	-	3	167 480 424	-	0.012
40 - 63	32 - 50	1 1/4 - 2 1/2	4	167 480 425	-	0.017
-	-	-	5	167 480 426	-	0.015

d-d [mm]	D [mm]	H [mm]	H1 [mm]	L [mm]	L1 [mm]	L2 [mm]	L3 [mm]
20 - 32	8	11	5	47	42	25	17
16 - 20	8	7	4	47	42	25	17
-	8	17	14	47	42	25	17
40 - 63	10	18	7	81	67	45	22
-	10	13	7	81	67	45	22

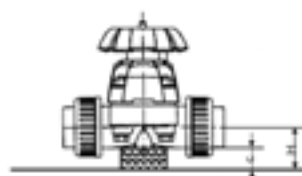
Equalizing the Assembly Height over all Sizes



Quantity required x block number

... to DN	d 20 DN 15	d 25 DN 20	d 32 DN 25	d 40 DN 32	d 50 DN 40	d 63 DN 50	d 75 DN 65
15		1x2	2x2	1x1+2x2	1x1+1x3	1x1+2x2+1x3	1x1+2x3
20			1x2	1x1+1x2	1x1+3x2	1x1+1x2+1x3	1x1+3x2+1x3
25				1x1	1x1+2x2	1x1+1x3	1x1+2x2+1x3
32					1x4	1x4+1x5	1x4+2x5
40						1x4	1x4+1x5
50							1x4

Equalizing the Union Height for Type 314



DN mm	Quantity required x block number	C mm	H mm
15			22.5
20	1x1+2x2	11.5	29
25			32.5
32			39
40	1x4+1x5	13.5	46
50			52.5

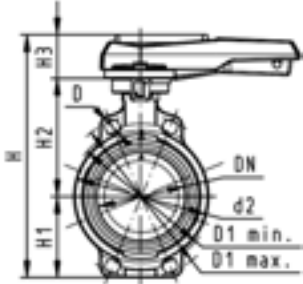
Butterfly valves

Butterfly valve type 567 PVC-U Hand lever with ratchet settings

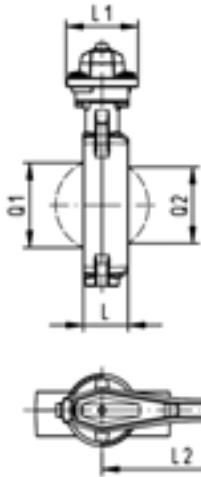


Model:

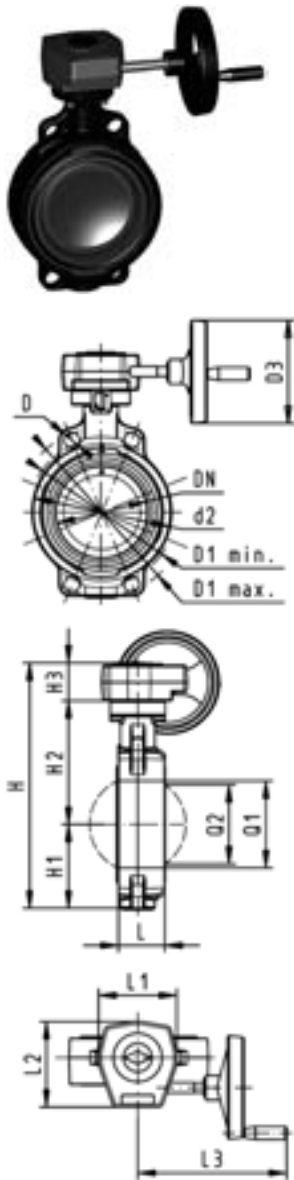
- Connecting dimension: ISO 7005 PN 10, EN 1092 PN 10, DIN 2501 PN 10, ANSI/ASME B 16.5 Class 150, BS 1560: 1989, BS 4504, JIS B 2220
- Overall length according to EN 558, ISO 5752
- We recommend for the dimensions DN250 and DN300 only 6 bar maximum system pressure for the hand lever version



d [mm]	DN [mm]	Inch	PN	kv-value ($\Delta p=1$ bar) [l/min]	EPDM Code	FPM Code	GP	kg
63	50	2	10	1470	161 567 002	161 567 022	-	1.044
75	65	2 ½	10	2200	161 567 003	161 567 023	-	1.148
90	80	3	10	3000	161 567 004	161 567 024	-	1.315
110	100	4	10	6500	161 567 005	161 567 025	-	1.983
140	125	5	10	11500	161 567 006	161 567 026	-	2.554
160	150	6	10	16600	161 567 007	161 567 027	-	3.564
225	200	8	10	39600	161 567 008	161 567 028	-	5.541
280	250	10	10	55200	161 567 009	161 567 029	1	12.998
315	300	12	10	80000	161 567 010	161 567 030	1	-



d [mm]	D [mm]	D1 min. [mm]	D1 max. [mm]	d2 [mm]	H [mm]	H1 [mm]	H2 [mm]	H3 [mm]	L [mm]	L1 [mm]	L2 [mm]	Q1 [mm]	Q2 [mm]
63	19	120.0	125.0	104	264	77	134	54	45	106	205	40	
75	19	139.7	145.0	115	277	83	140	54	46	106	205	54	35
90	19	150.0	160.0	131	289	89	146	54	49	106	205	67	50
110	19	175.0	190.5	161	325	104	167	55	56	106	255	88	74
140	23	210.0	215.9	187	352	117	181	55	64	106	255	113	97
160	24	241.3	241.3	215	373	130	189	55	72	106	255	139	123
225	23	290.0	295.0	267	435	158	210	67	73	140	408	178	169
280	25	353.0	362.0	329	554	205	264	85	113	149	408	210	207
315	25	400.0	432.0	379	598	228	285	85	113	149	408	256	253



Butterfly valve type 567 PVC-U Reduction gear with handwheel



Model:

- Connecting dimension: ISO 7005 PN 10, EN 1092 PN 10, DIN 2501 PN 10, ANSI/ASME B 16.5 Class 150, BS 1560: 1989, BS 4504, JIS B 2220
- Overall length according to EN 558, ISO 5752

d [mm]	DN [mm]	Inch	PN	kv-value ($\Delta p=1$ bar) [l/min]	EPDM Code	FPM Code	GP	kg
63	50	2	10	1470	161 567 042	161 567 062	-	3.082
75	65	2 ½	10	2200	161 567 043	161 567 063	1	3.186
90	80	3	10	3000	161 567 044	161 567 064	-	3.353
110	100	4	10	6500	161 567 045	161 567 065	-	3.973
140	125	5	10	11500	161 567 046	161 567 066	-	4.544
160	150	6	10	16600	161 567 047	161 567 067	-	5.554
225	200	8	10	39600	161 567 048	161 567 068	-	6.994
280	250	10	10	55200	161 567 049	161 567 069	1	-
315	300	12	10	80000	161 567 050	161 567 070	1	-

d [mm]	D [mm]	D1 min. [mm]	D1 max. [mm]	d2 [mm]	D3 [mm]	H [mm]	H1 [mm]	H2 [mm]	H3 [mm]	L [mm]	L1 [mm]	L2 [mm]	L3 [mm]	Q1 [mm]
63	19	120.0	125.0	104	160	278	77	134	60	45	120	132	236	40
75	19	139.7	145.0	115	160	291	83	140	60	46	120	132	236	54
90	19	150.0	160.0	131	160	303	89	146	60	49	120	132	236	67
110	19	175.0	190.5	160	160	339	104	167	60	56	120	132	236	88
140	23	210.0	215.9	187	160	365	117	181	60	64	120	132	236	113
160	24	241.3	241.3	215	160	387	130	189	60	72	120	132	236	139
225	23	290.0	295.0	267	160	436	158	210	60	73	120	132	236	178
280	25	353.0	362.0	329	160	529	205	264	60	113	134	151	261	210
315	25	400.0	432.0	379	160	573	228	285	60	113	134	151	261	256

d [mm]	Q2 [mm]
63	
75	35
90	50
110	74
140	97
160	123
225	169
280	207
315	253

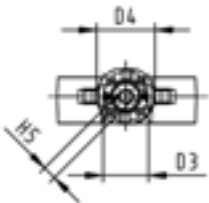
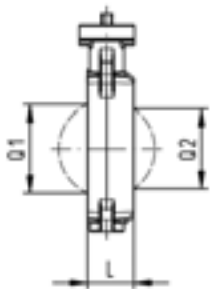
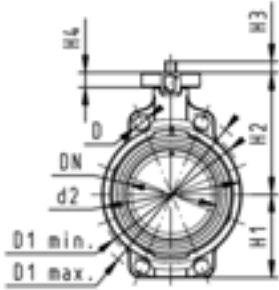


Butterfly valve type 567 PVC-U Bare shaft



Model:

- Connecting dimension: ISO 7005 PN 10, EN 1092 PN 10, DIN 2501 PN 10, ANSI/ASME B 16.5 Class 150, BS 1560: 1989, BS 4504, JIS B 2220
- Overall length according to EN 558, ISO 5752
- Interface F07 for the dimensions DN50-200 according to DIN/ISO 5211
- Interface F10 for the dimensions DN250-300 according to DIN/ISO 5211



d [mm]	DN [mm]	Inch	PN	kv-value ($\Delta p=1$ bar) [l/min]	EPDM Code	FPM Code	GP	kg
63	50	2	10	1470	161 567 802	161 567 822	-	0.822
75	65	2 ½	10	2200	161 567 803	161 567 823	-	0.926
90	80	3	10	3000	161 567 804	161 567 824	-	1.093
110	100	4	10	6500	161 567 805	161 567 825	-	1.713
140	125	5	10	11500	161 567 806	161 567 826	-	2.284
160	150	6	10	16600	161 567 807	161 567 827	-	3.294
225	200	8	10	39600	161 567 808	161 567 828	-	4.734
280	250	10	10	55200	161 567 809	161 567 829	-	11.735
315	300	12	10	80000	161 567 810	161 567 830	-	16.217

d [mm]	D [mm]	D1 min. [mm]	D1 max. [mm]	d2 [mm]	D3 [mm]	D4 [mm]	H [mm]	H1 [mm]	H2 [mm]	H3 [mm]	H4 [mm]	H5 [mm]	L [mm]	Q1 [mm]
63	19	120.0	125.0	104	70	90	222	77	134	27	23	11	45	40
75	19	139.7	145.0	115	70	90	235	83	140	27	23	11	46	54
90	19	150.0	160.0	131	70	90	247	89	146	27	23	11	49	67
110	19	175.0	190.5	161	70	90	287	104	167	16	23	14	56	88
140	23	210.0	215.9	187	70	90	313	117	181	16	23	14	64	113
160	24	241.3	241.3	215	70	90	335	130	189	19	23	17	72	139
225	23	290.0	295.0	267	70	90	387	158	210	19	23	17	73	178
280	25	353.0	362.0	329	102	125	509	205	264	40	23	22	113	210
315	25	400.0	432.0	379	102	125	553	228	285	40	23	22	113	256

d [mm]	Q2 [mm]
63	
75	35
90	50
110	74
140	97
160	123
225	169
280	207
315	253

Component Parts for Flange Assembly of Butterfly Valves Type 367 and 567

21 81 01

Flange Adaptors, PVC-U
Jointing face with O-ring groove, metric



d	DN	PN	Code	kg	
75	65	16	721 810 112	0,182	
90	80	16	721 810 113	0,291	
110	100	16	721 810 114	0,468	
140	125	16	721 810 116	0,824	
160	150	16	721 810 117	1,180	
225	200	10	721 810 120	1,895	
280	250	10	721 810 122	3,100	
315	300	6	721 810 123	4,830	

21 80 01

Flange Adaptors PVC-U
Jointing face flat, metric

d	DN	PN	Code	kg	
75	65	16	721 800 112	0,155	
90	80	16	721 800 113	0,156	
110	100	16	721 800 114	0,417	
140	125	16	721 800 116	0,748	
160	150	16	721 790 117	1,077	
225	200	10	721 790 120	1,758	
280	250	10	721 790 122	2,895	
315	300	6	721 790 123	4,450	

EPDM 48 41 01
FPM 49 41 01

O-Ring Gaskets

d	DN	inch	EPDM Code	FPM Code	kg	
75	65	2 1/2	748 410 014	749 410 014	0,012	
90	80	3	748 410 015	749 410 015	0,015	
110	100	4	748 410 016	749 410 016	0,031	
140	125	5	748 410 018	749 410 018	0,039	
160	150	6	748 410 019	749 410 019	0,044	
225	200	8	748 410 022	749 410 022	0,060	
280	250	10	748 410 173	749 410 173	0,044	
315	300	12	748 410 174	749 410 174	0,051	

EPDM 48 44 01
FPM 49 44 01

Flange Gaskets

d	EPDM Code	FPM Code	kg	
75	748 440 107	749 440 107	0,054	
90	748 440 108	749 440 108	0,060	
110	748 440 109	749 440 109	0,083	
140	748 440 111	749 440 111	0,115	
160	748 440 112	749 440 112	0,149	
225	748 440 115	749 440 115	0,177	
280	748 440 117	749 440 117	0,220	
315	748 440 118	749 440 118	0,326	

21 70 00**Backing Flanges, PVC-U
metric**

d	DN	inch	PN	Code	kg
75	65	2 1/2	10	721 700 012	0,375
90	80	3	10	721 700 013	0,471
110	100	4	10	721 700 014	0,554
140	125	5	10	721 700 016	0,746
160	150	6	10	721 700 017	1,012
225	200	8	10	721 700 020	1,360
280	250	10	6	721 700 137	1,730
315	300	12	6	721 700 138	2,350

**Backing Flanges, PP-V
for Socket Systems metric**

d	DN	inch	PN	Code	SP	kg
75	65		16	727 700 412	-	0,480
90	80		16	727 700 413	-	0,520
110	100		16	727 700 414	-	0,680
140	125		16	727 700 416	-	0,800
160	150	6	16	727 700 417	-	1,200
225	200	8	16	727 700 420	-	1,400
280	250		16	727 700 422	-	1,700
315	300		16	727 700 423	-	2,400

27 70 02**Backing Flanges, PP with steel ring
metric
for Socket Systems metric**

d	DN	PN	Code	kg
75	65	16	727 700 212	1,300
90	80	16	727 700 213	1,400
110	100	16	727 700 214	1,560
140	125	16	727 700 216	2,120
160	150	16	727 700 217	3,390
225	200	16	727 700 220	4,410
280	250	16	727 700 222	5,520
315	300	16	727 700 223	7,600

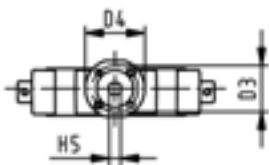
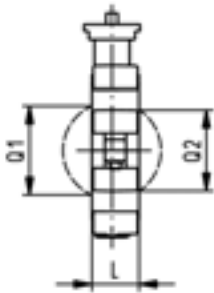
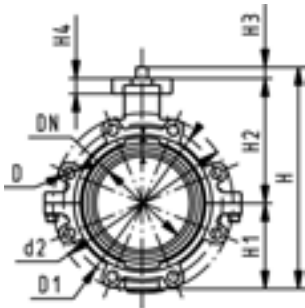


Lugstyle butterfly valve type 568 PVC-U Bare shaft



Model:

- Outer body in GGG-40.3 epoxy-coated
- Connecting dimension: ISO 7005 PN10, EN 1092 PN10, DIN 2501 PN10
- Overall length according to EN 558, ISO 5752
- Interface F07 according to DIN/ISO 5211



d [mm]	DN [mm]	Inch	PN	kv-value ($\Delta p=1$ bar) [l/min]	EPDM Code	FPM Code	GP	kg
63	50	2	10	1470	161 568 802	161 568 822	-	2.908
75	65	2 ½	10	2200	161 568 803	161 568 823	-	3.262
90	80	3	10	3000	161 568 804	161 568 824	-	4.304
110	100	4	10	6500	161 568 805	161 568 825	-	5.797
140	125	5	10	11500	161 568 806	161 568 826	-	7.750
160	150	6	10	16600	161 568 807	161 568 827	-	9.754
225	200	8	10	39600	161 568 808	161 568 828	-	14.682

d [mm]	d2 [mm]	D	D1 [mm]	D3 [mm]	D4 [mm]	H [mm]	H1 [mm]	H2 [mm]	H3 [mm]	H4 [mm]	L [mm]	Q1 [mm]	Q2 [mm]
63	150	M16	125	70	90	222	77	134	27	23	45	40	
75	170	M16	145	70	90	235	83	140	27	23	46	54	35
90	184	M16	160	70	90	247	89	146	27	23	49	67	50
110	216	M16	180	70	90	287	104	167	16	23	56	88	74
140	246	M16	210	70	90	313	117	181	16	23	64	113	97
160	273	M20	240	70	90	335	130	189	19	23	72	139	123
225	334	M20	295	70	90	387	158	210	19	23	73	178	169

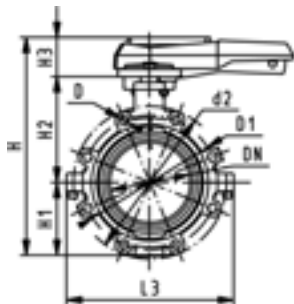


Lugstyle butterfly valve type 568 PVC-U Hand lever with ratchet settings

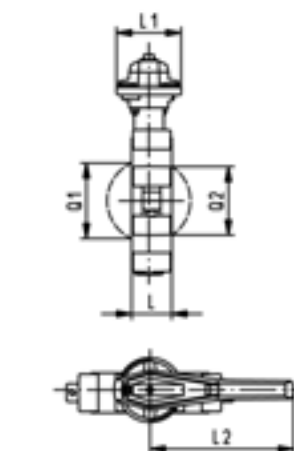


Model:

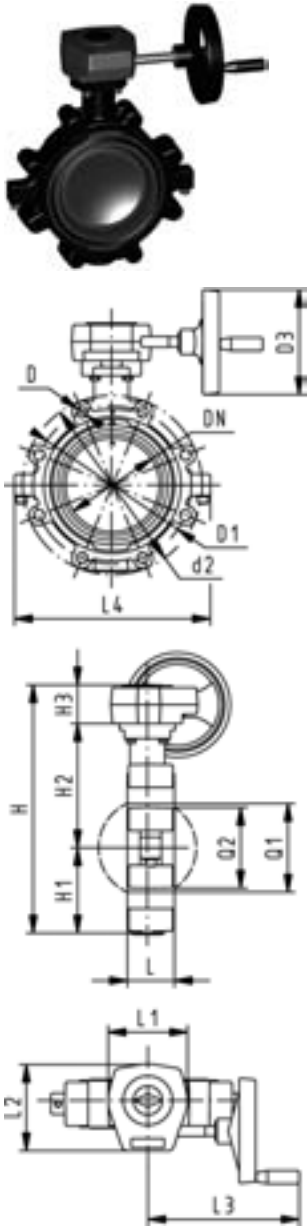
- Outer body in GGG-40.3 epoxy-coated
- Connecting dimension: ISO 7005 PN10, EN 1092 PN10, DIN 2501 PN10
- Overall length according to EN 558, ISO 5752



d [mm]	DN [mm]	Inch	PN	kv-value ($\Delta p=1$ bar) [l/min]	EPDM Code	FPM Code	GP	kg
63	50	2	10	1470	161 568 002	161 568 022	-	3.130
75	65	2 ½	10	2200	161 568 003	161 568 023	-	3.484
90	80	3	10	3000	161 568 004	161 568 024	-	4.526
110	100	4	10	6500	161 568 005	161 568 025	-	6.067
140	125	5	10	11500	161 568 006	161 568 026	-	8.020
160	150	6	10	16600	161 568 007	161 568 027	-	10.024
225	200	8	10	39600	161 568 008	161 568 028	-	15.489



d [mm]	d2 [mm]	D	D1 [mm]	H [mm]	H1 [mm]	H2 [mm]	H3 [mm]	L [mm]	L1 [mm]	L2 [mm]	L3 [mm]	Q1 [mm]	Q2 [mm]
63	150	M16	125	265	77	134	54	45	106	205	150	40	
75	170	M16	145	277	83	140	54	46	106	205	160	54	35
90	184	M16	160	289	89	146	54	49	106	205	205	67	50
110	216	M16	180	326	104	167	55	56	106	255	244	88	74
140	246	M16	210	353	117	181	55	64	106	255	272	113	97
160	273	M20	240	374	130	189	55	72	106	255	297	139	123
225	334	M20	295	435	158	210	67	73	140	408	360	178	169



Lugstyle butterfly valve type 568 PVC-U Reduction gear with handwheel



Model:

- Outer body in GGG-40.3 epoxy-coated
- Connecting dimension: ISO 7005 PN10, EN 1092 PN10, DIN 2501 PN10
- Overall length according to EN 558, ISO 5752

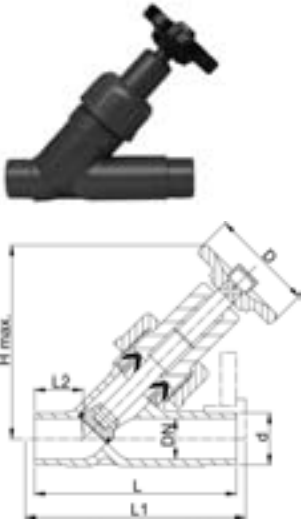
d [mm]	DN [mm]	Inch	PN	kv-value ($\Delta p=1$ bar) [l/min]	EPDM Code	FPM Code	GP	kg							
63	50	2	10	1470	161 568 042	161 568 062	-	5.168							
75	65	2 ½	10	2200	161 568 043	161 568 063	-	5.522							
90	80	3	10	3000	161 568 044	161 568 064	-	6.564							
110	100	4	10	6500	161 568 045	161 568 065	-	8.057							
140	125	5	10	11500	161 568 046	161 568 066	-	10.010							
160	150	6	10	16600	161 568 047	161 568 067	-	12.014							
225	200	8	10	39600	161 568 048	161 568 068	-	16.942							
d [mm]	d2 [mm]	D	D1 [mm]	D3 [mm]	H [mm]	H1 [mm]	H2 [mm]	H3 [mm]	L [mm]	L1 [mm]	L2 [mm]	L3 [mm]	L4 [mm]	Q1 [mm]	Q2 [mm]
63	150	M16	125	160	279	77	134	60	45	120	132	236	150	40	
75	170	M16	145	160	291	83	140	60	46	120	132	236	160	54	35
90	184	M16	160	160	303	89	146	60	49	120	132	236	205	67	50
110	216	M16	180	160	339	104	167	60	56	120	132	236	244	88	74
140	246	M16	210	160	366	117	181	60	64	120	132	236	272	113	97
160	273	M20	240	160	387	130	189	60	72	120	132	236	297	139	123
225	334	M20	295	160	436	158	210	60	73	120	132	236	360	178	169

Angle seat valves

Angle seat valve type 300 PVC-U With solvent cement spigots metric

Model:

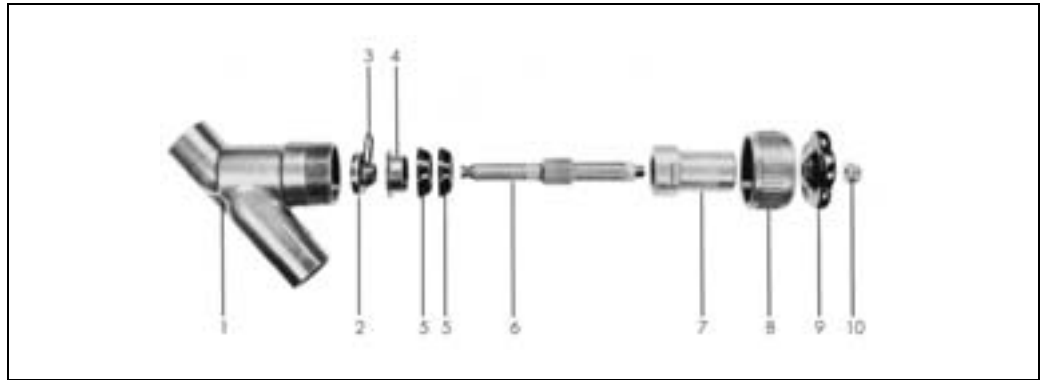
- Overall length EN 558



d [mm]	DN [mm]	PN	kv-value ($\Delta p=1$ bar) [l/min]	PE Code	PTFE Code	GP	kg
16	10	10	41	161 300 250	161 300 299	10	0.128
20	15	10	95	161 300 300	161 300 349	4	0.183
25	20	10	180	161 300 350	161 300 399	12	0.255
32	25	10	327	161 300 400	161 300 449	6	0.389
40	32	10	484	161 300 450	161 300 499	6	0.590
50	40	10	725	161 300 500	161 300 549	4	1.000
63	50	10	1130	161 300 550	161 300 599	4	1.540
75	65	10	1700	161 300 600	161 300 649	4	2.713
90	80	10	2500	161 300 650	161 300 699	-	4.097

d [mm]	D [mm]	L [mm]	L1 [mm]	L2 [mm]	H max. [mm]
16	50	114	120	24	105
20	63	124	130	28	126
25	63	144	150	37	140
32	80	154	160	37	166
40	80	174	180	44	191
50	100	194	200	48	233
63	100	224	230	60	264
75	160	284	290	74	335
90	200	300	310	85	390

Spare Parts Angle Seat Valves Type 300, PVC-U



No.	Article/ Material	Pieces	d16 DN 10	d20 DN 15	d25 DN 20	d32 DN 25	d40 DN 32	d50 DN 40	d63 DN50	d75 DN 65	d90 DN 80
2	Disc / Retaining Sets		161 483 076	161 483 077	161 483 078	161 483 079	161 483 080	161 483 081	161 483 082	161 483 083	161 483 084
2	Disc and seating PE	1									
3	Retaining pin PVC-U	1									
4	Seal support ring PVC-U	1									
5	Cup seals PE	2									
2	Disc / Retaining Sets		161 483 089	161 483 090	161 483 091	161 483 092	161 483 093	161 483 094	161 483 095	161 483 096	161 483 097
2	Disc and seating PTFE	1									
3	Retaining pin PVC-U	1									
4	Seal support ring PVC-U	1									
5	Cup seals PTFE	2									
6	Stem Sets		161 483 062	161 483 063	161 483 064	161 483 065	161 483 066	161 483 067	161 483 068	161 483 069	161 483 070
6	Stem PVC-U	1									
7	Threaded bush PVC-U	1									
2	Top Parts complete		161 482 250	161 482 251	161 482 252	161 482 253	161 482 254	161 482 255	161 482 256	161 482 257	161 482 258
2	Disc and seating PVC-U	1									
3	Retaining pin PVC-U	1									
4	Seal support ring PVC-U	1									
5	Cup seals PE	2									
6	Stem PVC-U	1									
7	Threaded bush PVC-U	1									
8	Valve nut PVC-U	1									
9	Handwheel PE	1									
10	Handwheel Nut PVC-U	1									
1	Bodies, PVC-U	1	161 300 251	161 300 301	161 300 351	161 300 401	161 300 451	161 300 501	161 300 551	161 300 601	161 300 651
8	Valve Nuts, PVC-U	1	161 300 258	161 300 308	161 300 358	161 300 408	161 300 458	161 300 508	161 300 558	-	-
8	Plugs, PVC-U	1	-	-	-	-	-	-	-	161 300 608	161 300 658
9	Handwheels	1	161 300 259	161 300 309	161 300 309	161 300 409	161 300 459	161 300 509	161 300 559	161 300 609	161 300 659
10	Handwheel Nuts, PVC-U	1	161 300 260	721 960 603	721 960 603	721 960 603	721 960 604	721 960 604	721 960 605	721 960 606	721 960 607



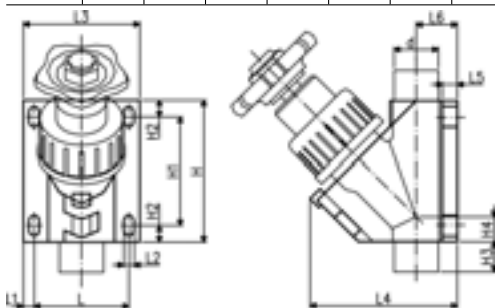
Angle seat valve bracket type 123 PVC-U

Model:

- Can be fitted to existing installations without interrupting their operation
- Easily assembled without tools
- For Angle Seat Valves Type 300

d [mm]	DN [mm]	Code	GP	kg
16	10	161 123 250	40	0.114
20	15	161 123 300	10	0.146
25	20	161 123 350	10	0.230
32	25	161 123 400	-	0.289
40	32	161 123 450	5	0.374

d [mm]	L [mm]	L1 [mm]	L2 [mm]	L3 [mm]	L4 [mm]	L5 [mm]	L6 [mm]	H [mm]	H1 [mm]	H2 [mm]	H3 [mm]	H4 [mm]
16	62	8	7	78	67	10	22	76	55	11	15	9
20	65	9	7	82	74	10	25	86	65	11	17	11
25	73	9	8	91	87	11	30	100	76	12	20	17
32	84	9	8	102	104	13	35	102	78	12	23	14
40	90	9	8	107	122	15	42	116	85	16	27	17

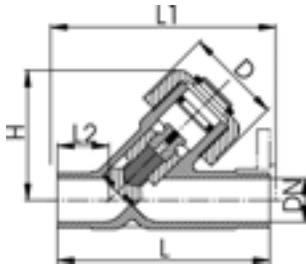




Angle seat check valve type 303 PVC-U With solvent cement spigots metric

Model:

- For horizontal or vertical installation
- Leakproof from: EPDM 2m, FPM 3m water column
- Specific gravity of piston approx. 2 kg/dm³
- Overall length EN 558



d [mm]	DN [mm]	PN	kv-value ($\Delta p=1$ bar) [l/min]	EPDM Code	FPM Code	GP	kg
16	10	10	41	161 303 005	161 303 030	9	0.094
20	15	10	95	161 303 006	161 303 031	-	0.132
25	20	10	180	161 303 007	161 303 032	10	0.200
32	25	10	327	161 303 008	161 303 033	4	0.323
40	32	10	484	161 303 009	161 303 034	12	0.498
50	40	10	725	161 303 010	161 303 035	6	0.860
63	50	10	1130	161 303 011	161 303 036	8	1.455
75	65	10	1700	161 303 012	161 303 037	4	2.499
90	80	10	2500	161 303 013	161 303 038	4	3.511

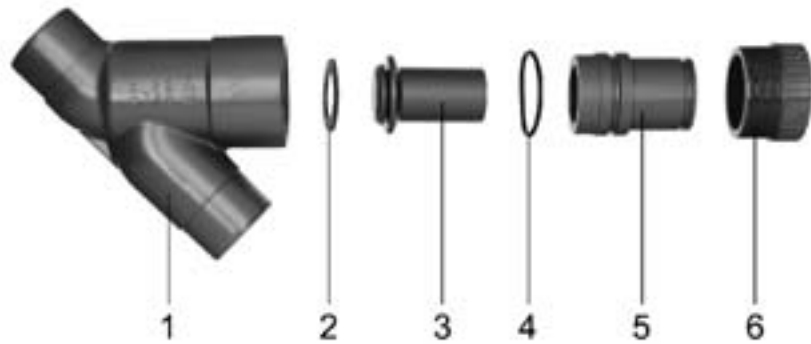
d [mm]	D [mm]	L [mm]	L1 [mm]	L2 [mm]	H [mm]
16	39	114	120	24	58
20	43	124	130	28	65
25	47	144	150	37	75
32	56	154	160	37	90
40	64	174	180	44	102
50	82	194	200	48	123
63	95	224	230	60	144
75	92	284	290	74	186
90	104	300	310	85	204

Spare parts for angle seat check valve type 303 (DN10-50) PVC-U



No.	Article / Material	Pieces	d16 DN 10	d20 DN 15	d25 DN 20	d32 DN 25	d40 DN 32	d50 DN 40	d63 DN 50
1	Body PVC-U	1	161 480 699	161 480 700	161 480 701	161 300 401	161 300 451	161 300 501	161 300 551
2	Flat gasket EPDM	1	161 480 664	161 480 665	161 480 666	161 480 667	161 480 668	161 480 669	161 480 670
2	Flat gasket FPM	1	161 480 673	161 480 674	161 480 675	161 480 676	161 480 677	161 480 678	161 480 679
3	Piston PVC-U	1	161 480 682	161 480 683	161 480 684	161 480 685	161 480 686	161 480 687	161 480 688
4	O-ring seal EPDM	1	748 410 059	748 410 106	748 410 001	748 410 007	748 410 002	748 410 102	748 410 101
4	O-ring seal FPM	1	749 410 059	749 410 106	749 410 001	749 410 007	749 410 002	749 410 102	749 410 101
5	Valve end PVC	1	161 480 648	161 480 649	161 480 650	161 480 651	161 480 652	161 480 653	161 480 654
6	Valve nut PVC-U	1	161 300 258	161 300 308	161 300 358	161 300 408	161 300 458	161 300 508	161 300 558
7	Circlip PVC-U	1	161 482 076	161 482 017	161 482 018	161 482 019	161 482 020	161 482 021	161 482 022

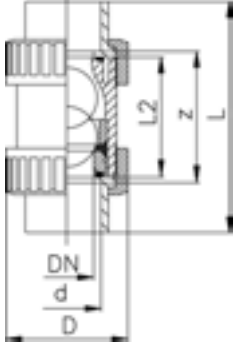
Spare parts for angle seat check valve type 303 (DN65-80) PVC-U



No.	Article / Material	Pieces	d75 DN 65	d90 DN 80
			1	Body PVC-U
2	Flat gasket EPDM	1	161 480 671	161 480 672
2	Flat gasket FPM	1	161 480 680	161 480 681
3	Piston PVC-U	1	161 480 689	161 480 690
4	O-ring seal EPDM	1	748 410 119	748 410 014
4	O-ring seal FPM	1	749 410 119	749 410 014
5	Valve end PVC	1	161 490 412	161 490 413
6	Valve nut PVC-U	1	161 305 604	161 305 654

Ball check valves

Ball check valve type 360 PVC-U With solvent cement sockets metric

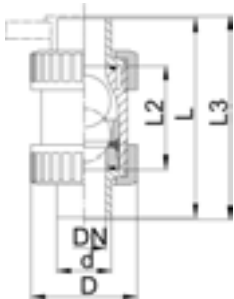


Model:

- Union ends for easy installation and removal
- Ball is sealing at a minimum water column 2m
- Vibration free even at high flow velocity
- Installation position horizontal or vertical

d [mm]	DN [mm]	PN	kv-value ($\Delta p=1$ bar) [l/min]	EPDM Code	FPM Code	GP	kg	z [mm]	D [mm]	L [mm]	L2 [mm]
16	10	16	170	161 360 401	161 360 411	10	0.123	71	45	99	63
20	15	16	150	161 360 402	161 360 412	10	0.123	71	45	102	63
25	20	16	330	161 360 403	161 360 413	8	0.205	82	53	120	75
32	25	16	390	161 360 404	161 360 414	-	0.318	87	64	131	79
40	32	16	710	161 360 405	161 360 415	6	0.524	98	78	150	89
50	40	16	900	161 360 406	161 360 416	6	0.841	101	92	163	95
63	50	16	1390	161 360 407	161 360 417	-	1.495	121	116	197	115

Ball check valve type 360 PVC-U With solvent cement spigots metric



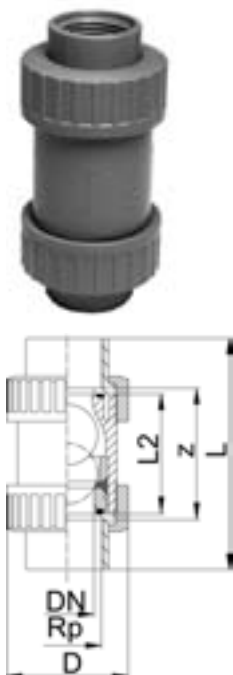
Model:

- Union ends for easy installation and removal
- Ball is sealing at a minimum water column 2m
- Vibration free even at high flow velocity
- Installation position horizontal or vertical

* without union ends for easy installation and removal

d [mm]	DN [mm]	PN	kv-value ($\Delta p=1$ bar) [l/min]	EPDM Code	FPM Code	GP	kg
16	10	16	170	161 360 441	161 360 451	10	0.123
20	15	16	150	161 360 442	161 360 452	10	0.128
25	20	16	330	161 360 443	161 360 453	8	0.211
32	25	16	390	161 360 444	161 360 454	8	0.331
40	32	16	710	161 360 445	161 360 455	6	0.540
50	40	16	900	161 360 446	161 360 456	6	0.870
63	50	16	1390	161 360 447	161 360 457	4	1.554
*90	80	10	1200	161 360 013	161 360 038	-	4.330

d [mm]	D [mm]	L [mm]	L2 [mm]	L3 [mm]
16	45	114	63	120
20	45	124	63	130
25	53	144	75	150
32	64	154	79	160
40	78	174	89	180
50	92	194	95	200
63	116	224	115	230
*90		300		310



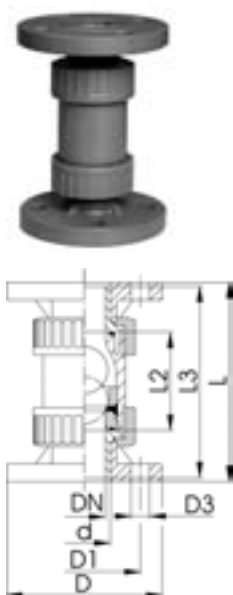
Ball check valve type 360 PVC-U With threaded sockets Rp

Model:

- Union ends for easy installation and removal
- Ball is sealing at a minimum water column 2m
- Vibration free even at high flow velocity
- Installation position horizontal or vertical

Rp [inch]	DN [mm]	PN	kv-value ($\Delta p=1$ bar) [l/min]	EPDM Code	FPM Code	GP	kg
3/8	10	10	170	161 360 421	161 360 431	10	0.123
1/2	15	10	150	161 360 422	161 360 432	10	0.123
3/4	20	10	330	161 360 423	161 360 433	8	0.204
1	25	10	390	161 360 424	161 360 434	8	0.316
1 1/4	32	10	710	161 360 425	161 360 435	6	0.520
1 1/2	40	10	900	161 360 426	161 360 436	6	0.855
2	50	10	1390	161 360 427	161 360 437	4	1.547

Rp [inch]	z [mm]	D [mm]	L [mm]	L2 [mm]
3/8	67	45	99	63
1/2	67	45	102	63
3/4	79	53	120	75
1	83	64	131	79
1 1/4	96	78	150	89
1 1/2	109	92	163	95
2	135	116	197	115



Ball check valve type 360 PVC-U With fixed flanges serrated metric

Model:

- Union ends for easy installation and removal
- Ball is sealing at a minimum water column 2m
- Vibration free even at high flow velocity
- Installation position horizontal or vertical
- Overall length EN 558
- Connecting Dimensions: metric 2501 PN 10

d [mm]	DN [mm]	Inch	PN	kv-value ($\Delta p=1$ bar) [l/min]	EPDM Code	FPM Code	kg
20	15	3/8	16	150	161 360 502	161 360 512	0.327
25	20	3/4	16	330	161 360 503	161 360 513	0.456
32	25	1	16	390	161 360 504	161 360 514	0.694
40	32	1 1/4	16	710	161 360 505	161 360 515	0.500
50	40	1 1/2	16	900	161 360 506	161 360 516	1.605
63	50	2	16	1390	161 360 507	161 360 517	2.571

d [mm]	D [mm]	D1 [mm]	D3 [mm]	L [mm]	L2 [mm]	L3 [mm]
20	95	65	14	124	63	130
25	105	75	14	144	75	150
32	115	84	14	154	79	160
40	140	100	18	174	89	180
50	150	110	18	194	95	200
63	165	125	18	224	115	230

Component Parts for Flange Assembly of Ball Check Valves Type 360

21 80 01



Flange Adaptors PVC-U
Jointing face flat, metric

d	DN	PN	Code	kg
20	15	16	721 800 106	0,010
25	20	16	721 800 107	0,015
32	25	16	721 800 108	0,024
40	32	16	721 800 109	0,038
50	40	16	721 800 110	0,055
63	50	16	721 800 111	0,104

EPDM 48 40 01
FPM 49 40 01

Flat Gaskets

d	DN	inch	EPDM Code	FPM Code	kg
20	15	1/2	748 400 015	749 400 015	0,003
25	20	3/4	748 400 016	749 400 016	0,003
32	25	1	748 400 017	749 400 017	0,004
40	32	1 1/4	748 400 018	749 400 018	0,008
50	40	1 1/2	748 400 019	749 400 019	0,012
63	50	2	748 400 020	749 400 020	0,017

EPDM 48 44 01
FPM 49 44 01

Flange Gaskets

d	EPDM Code	FPM Code	kg
20	748 440 101	749 440 101	0,008
25	748 440 102	749 440 102	0,011
32	748 440 103	749 440 103	0,014
40	748 440 104	749 440 104	0,020
50	748 440 105	749 440 105	0,021
63	748 440 106	749 440 106	0,040

21 70 00

Backing Flanges, PVC-U
metric

d	DN	inch	PN	Code	kg
20	15	1/2	10	721 700 006	0,067
25	20	3/4	10	721 700 007	0,091
32	25	1	10	721 700 008	0,131
40	32	1 1/4	10	721 700 009	0,194
50	40	1 1/2	10	721 700 010	0,245
63	50	2	10	721 700 011	0,311

Backing Flanges, PP-V for Socket Systems metric

d	DN	inch	PN	Code	SP	kg
20	15		16	727 700 406	-	0,080
25	20		16	727 700 407	-	0,100
32	25		16	727 700 408	-	0,140
40	32		16	727 700 409	-	0,220
50	40		16	727 700 410	-	0,210
63	50		16	727 700 411	-	0,380

27 70 02

Backing Flanges, PP with steel ring metric for Socket Systems metric

d	DN	PN	Code	kg
20	15	16	727 700 206	0,220
25	20	16	727 700 207	0,260
32	25	16	727 700 208	0,430
40	32	16	727 700 209	0,650
50	40	16	727 700 210	0,820
63	50	16	727 700 211	0,940

21 74 01

Fixed Flanges, PVC-U Jointing face serrated, metric

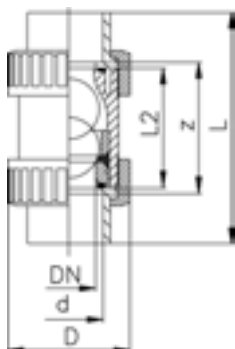
d	DN	inch	PN	Code	kg
20	15	1/2	16	721 740 106	0,100
25	20	3/4	16	721 740 107	0,130
32	25	1	16	721 740 108	0,185
40	32	1 1/4	16	721 740 109	0,305
50	40	1 1/2	16	721 740 110	0,368
63	50	2	16	721 740 111	0,510



Ball check valve type 360 PVC-U With fusion sockets PE80 metric

Model:

- Union ends for easy installation and removal
- Ball is sealing at a minimum water column 2m
- Vibration free even at high flow velocity
- Installation position horizontal or vertical



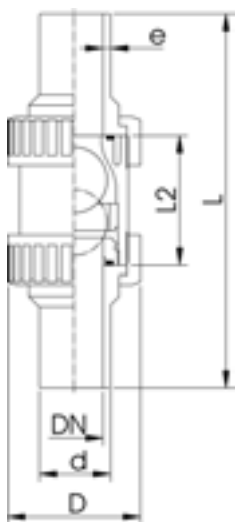
d [mm]	DN [mm]	PN	kv-value ($\Delta p=1$ bar) [l/min]	EPDM Code	kg	z [mm]	D [mm]	L [mm]	L2 [mm]
16	10	10	170	161 360 721	0.120	72	45	98	63
20	15	10	150	161 360 722	0.115	73	45	101	63
25	20	10	330	161 360 723	0.195	82	53	119	75
32	25	10	390	161 360 724	0.300	94	64	130	79
40	32	10	710	161 360 725	0.495	109	78	149	89
50	40	10	900	161 360 726	0.800	118	92	162	95
63	50	10	1390	161 360 727	1.430	143	116	195	115



Ball check valve type 360 PVC-U With butt and electro fusion ends PE100 SDR11 metric

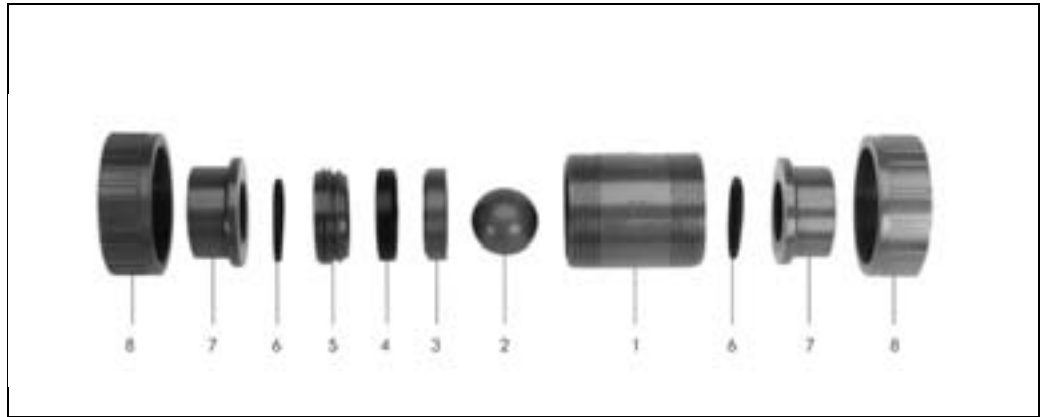
Model:

- Union ends for easy installation and removal
- Ball is sealing at a minimum water column 2m
- Vibration free even at high flow velocity
- Installation position horizontal or vertical



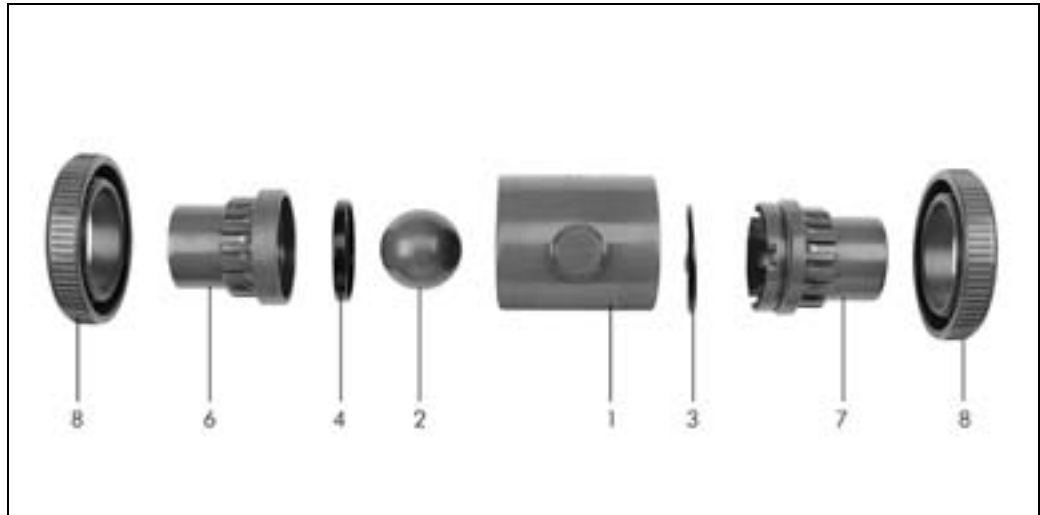
d [mm]	DN [mm]	PN	kv-value ($\Delta p=1$ bar) [l/min]	EPDM Code	kg	D [mm]	L [mm]	L2 [mm]	e [mm]
20	15	16	150	161 360 742	0.125	45	197	63	1,9
25	20	16	330	161 360 743	0.210	53	217	75	2,3
32	25	16	390	161 360 744	0.320	64	225	79	3
40	32	16	710	161 360 745	0.510	78	251	89	3,7
50	40	16	900	161 360 746	0.825	92	269	95	4,6
63	50	16	1390	161 360 747	1.460	116	301	115	5,8

Spare Parts Ball Check Valves Type 360 (DN 10 - 50), PVC-U



No.	Article/ Material	Pieces	d16 DN 10	d20 DN 15	d25 DN 20	d32 DN 25	d40 DN 32	d50 DN 40	d63 DN50
1	Central Parts Body PVC-U	1	161 483 851	161 483 852	161 483 853	161 483 854	161 483 855	161 483 856	161 483 857
2	Ball PVC-U	1							
3	Support ring PVC-U	1							
4	Sealing ring EPDM	1							
5	Union bush PVC-U	1							
1	Central Parts Body PVC-U	1	161 483 861	161 483 862	161 483 863	161 483 864	161 483 865	161 483 866	161 483 867
2	Ball PVC-U	1							
3	Support ring PVC-U	1							
4	Sealing ring FPM	1							
5	Union bush PVC-U	1							
2	Balls, PVC-U	1	161 330 304	161 330 304	161 330 354	161 330 404	161 330 454	161 330 504	161 330 554
4	Sealing Rings, EPDM	1	161 483 259	161 483 259	161 483 260	161 483 261	161 483 262	161 483 263	161 483 264
4	Sealing Rings, FPM	1	161 483 265	161 483 265	161 483 266	161 483 267	161 483 268	161 483 269	161 483 270
6	Face seals, EPDM	1	748 410 042	748 410 042	748 410 116	748 410 103	748 410 027	748 410 010	748 410 011
6	Face seals, FPM	1	749 410 042	749 410 042	749 410 116	749 410 103	749 410 027	749 410 010	749 410 011
7	Valve Ends with Socket, PVC-U metric	1	161 480 536	161 480 537	161 480 538	161 480 539	161 480 540	161 480 541	161 480 542
7	Valve Ends with Spigot, PVC-U metric	1	161 482 345	161 482 346	161 482 347	161 482 348	161 482 349	161 482 350	161 482 351
7	Valve Ends, PVC-U Rp	1	161 480 550	161 480 551	161 480 552	161 480 553	161 480 554	161 480 555	161 480 556
7	Valve Ends with Fusion Socket, PE80	1	173 480 000	173 480 001	173 480 002	173 480 003	173 480 004	173 480 005	173 480 006
7	Butt and Electro Fusion Spigots, PE100 SDR11	1	-	193 480 127	193 480 128	193 480 129	193 480 130	193 480 131	193 480 132
8	Valve Nuts, PVC-U	1	161 340 617	161 340 617	161 340 618	161 340 619	161 340 620	161 340 621	161 480 522

Spare Parts Ball Check Valves Type 360 (DN 80), PVC-U



No.	Article/ Material	Pieces
1	Body, PVC-U	1
2	Balls, PVC-U	1
3	Body seals, EPDM	1
3	Body seals, FPM	1
4	Sealing Rings, EPDM	1
4	Sealing Rings, FPM	1
6	Valve Ends Inlet Side, PVC-U metric	1
7	Valve Ends Outlet Side, PVC-U metric	1
8	Valve Nuts, PVC-U	1

d90 DN 80

161 480 158

161 330 654

748 410 099

749 410 099

161 480 141

161 480 149

161 480 132

161 480 133

161 340 623



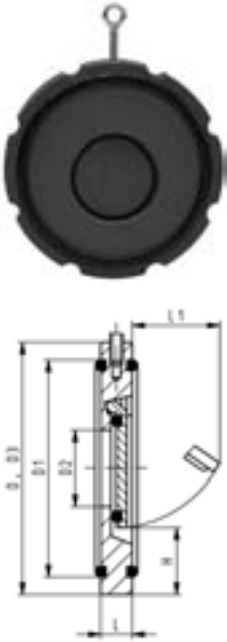
Key PBTP black

- For assembly and disassembly of the union bush of ball valves type 323, 343, 346 and ball check valves 360

d-d [mm]	DN-DN [mm]	Inch	Code	GP	kg	
16 - 63	10 - 50	3/8-2	160 480 106	-	0.038	

Wafer check valves

Wafer check valve type 369 PVC-U Without spring



Model:

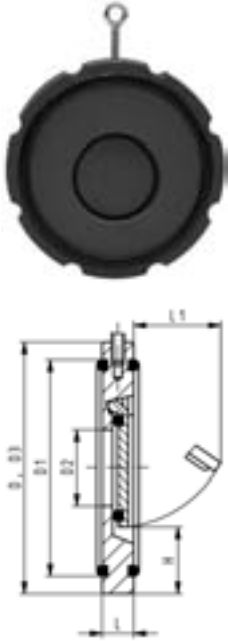
- Supporting eyelets for simple fitting
- Suitable for vertical and horizontal mounting

Installation instruction:

- Installation between ISO/DIN (all dimensions) and ANSI flange adaptors (all except DN32 and DN125)
- Installation with ANSI flange adaptor: for wafer check valves DN40 to DN80 you have to use ANSI flange adaptors with the next bigger dimension (example DN40 wafer check valve between DN50 ANSI flange adaptor)
- Centering by body diameter (ISO/DIN by D3, ANSI by D)
- Sealing with special flange gasket (except DN32, o-ring)
- A stabilizing zone of at least 5 times nominal diameter (DN) should be provided before and after the wafer check valve (10 times DN is recommended)
- No direct installation on pump flange or following bend allowed
- The using of PVC-U pipe PN16 is only possible up to d63
- Wafer check valves without reset spring are not recommended for pulsating flows (production of noise)

d [mm]	DN [mm]	Inch	PN	EPDM Code	FPM Code	GP	kg
40	32	1 ¼	6	161 369 002	161 369 022	-	0.130
50	40	1 ½	6	161 369 003	161 369 023	-	0.160
63	50	2	6	161 369 004	161 369 024	-	0.250
75	65	2 ½	6	161 369 005	161 369 025	-	0.320
90	80	3	6	161 369 006	161 369 026	-	0.390
110	100	4	6	161 369 007	161 369 027	-	0.550
140	125	4	6	161 369 009	161 369 029	-	0.750
160	150	5	6	161 369 010	161 369 030	-	1.100
225	200	6	6	161 369 011	161 369 031	-	2.100
280	250	8	6	161 369 012	161 369 032	-	3.500
315	300	10	6	161 369 013	161 369 033	-	5.300

d [mm]	D [mm]	D1 [mm]	D2 [mm]	D3 [mm]	L [mm]	L1 [mm]	H [mm]	Opening pressure vertical [mbar]	Opening pressure horizontal [mbar]	Minimum water column for sealing [m]	
40	85	59	18	85	15	22	25	10	10	1	2.0
50	105	74	22	95	16	27	27	10	10	1	2.0
63	124	90	32	109	18	40	29	10	10	1	2.0
75	137	110	40	129	20	55	31	10	10	1	2.0
90	175	125	54	144	20	67	32	10	10	1	2.0
110	175	150	70	164	23	67	31	10	10	1	2.0
140	195	178	92	195	23	94	35	10	10	1	2.0
160	222	192	105	220	26	100	41	10	10	1	2.0
225	279	256	154	275	35	152	38	18	18	1	2.0
280	340	306	192	330	40	180	41	18	18	1	2.0
315	410	342	227	380	45	215	41	18	18	1	2.0



Wafer check valve type 369 PVC-U With V4A spring (stainless steel 316)

Model:

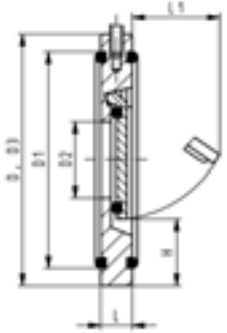
- Supporting eyelets for simple fitting
- Suitable for vertical and horizontal mounting

Installation instruction:

- Installation between ISO/DIN (all dimensions) and ANSI flange adaptors (all except DN32 and DN125)
- Installation with ANSI flange adaptor: for wafer check valves DN40 to DN80 you have to use ANSI flange adaptors with the next bigger dimension (example DN40 wafer check valve between DN50 ANSI flange adaptor)
- Centering by body diameter (ISO/DIN by D3, ANSI by D)
- Sealing with special flange gasket (except DN32, o-ring)
- A stabilizing zone of at least 5 times nominal diameter (DN) should be provided before and after the wafer check valve (10 times DN is recommended)
- No direct installation on pump flange or following bend allowed
- The using of PVC-U pipe PN16 is only possible up to d63

d [mm]	DN [mm]	Inch	PN	EPDM Code	FPM Code	GP	kg
40	32	1 ¼	6	161 369 042	161 369 062	-	0.130
50	40	1 ½	6	161 369 043	161 369 063	-	0.160
63	50	2	6	161 369 044	161 369 064	-	0.250
75	65	2 ½	6	161 369 045	161 369 065	-	0.320
90	80	3	6	161 369 046	161 369 066	-	0.390
110	100	4	6	161 369 047	161 369 067	-	0.550
140	125	4	6	161 369 049	161 369 069	-	0.750
160	150	5	6	161 369 050	161 369 070	-	1.100
225	200	6	6	161 369 051	161 369 071	-	2.100
280	250	8	6	161 369 052	161 369 072	-	3.500
315	300	10	6	161 369 053	161 369 073	-	5.300

d [mm]	D [mm]	D1 [mm]	D2 [mm]	D3 [mm]	L [mm]	L1 [mm]	H [mm]	Opening pressure vertical [mbar]	Opening pressure horizontal [mbar]	Minimum water column for sealing [m]
40	85	59	18	85	15	22	25	30	20	2.0
50	105	74	22	95	16	27	27	30	20	2.0
63	124	90	32	109	18	40	29	30	20	2.0
75	137	110	40	129	20	55	31	30	20	2.0
90	175	125	54	144	20	67	32	30	20	2.0
110	175	150	70	164	23	67	31	30	20	2.0
140	195	178	92	195	23	94	35	30	20	2.0
160	222	192	105	220	26	100	41	30	20	2.0
225	279	256	154	275	35	152	38	38	20	2.0
280	340	306	192	330	40	180	41	38	20	2.0
315	410	342	227	380	45	215	41	38	20	2.0



Wafer check valve type 369 PVC-U With Hastelloy C spring

Model:

- Supporting eyelets for simple fitting
- Suitable for vertical and horizontal mounting

Installation instruction:

- Installation between ISO/DIN (all dimensions) and ANSI flange adaptors (all except DN32 and DN125)
- Installation with ANSI flange adaptor: for wafer check valves DN40 to DN80 you have to use ANSI flange adaptors with the next bigger dimension (example DN40 wafer check valve between DN50 ANSI flange adaptor)
- Centering by body diameter (ISO/DIN by D3, ANSI by D)
- Sealing with special flange gasket (except DN32, o-ring)
- A stabilizing zone of at least 5 times nominal diameter (DN) should be provided before and after the wafer check valve (10 times DN is recommended)
- No direct installation on pump flange or following bend allowed
- The using of PVC-U pipe PN16 is only possible up to d63

d [mm]	DN [mm]	Inch	PN	EPDM Code	FPM Code	GP	kg
40	32	1 ¼	6	161 369 082	161 369 102	-	0.130
50	40	1 ½	6	161 369 083	161 369 103	-	0.160
63	50	2	6	161 369 084	161 369 104	-	0.250
75	65	2 ½	6	161 369 085	161 369 105	-	0.320
90	80	3	6	161 369 086	161 369 106	-	0.390
110	100	4	6	161 369 087	161 369 107	-	0.550
140	125	4	6	161 369 089	161 369 109	-	0.750
160	150	5	6	161 369 090	161 369 110	-	1.100
225	200	6	6	161 369 091	161 369 111	-	2.100
280	250	8	6	161 369 092	161 369 112	-	3.500
315	300	10	6	161 369 093	161 369 113	-	5.300

d [mm]	D [mm]	D1 [mm]	D2 [mm]	D3 [mm]	L [mm]	L1 [mm]	H [mm]	Opening pressure vertical [mbar]	Opening pressure horizontal [mbar]	Minimum water column for sealing [m]
40	85	59	18	85	15	22	25	30	20	2.0
50	105	74	22	95	16	27	27	30	20	2.0
63	124	90	32	109	18	40	29	30	20	2.0
75	137	110	40	129	20	55	31	30	20	2.0
90	175	125	54	144	20	67	32	30	20	2.0
110	175	150	70	164	23	67	31	30	20	2.0
140	195	178	92	195	23	94	35	30	20	2.0
160	222	192	105	220	26	100	41	30	20	2.0
225	279	256	154	275	35	152	38	38	20	2.0
280	340	306	192	330	40	180	41	38	20	2.0
315	410	342	227	380	45	215	41	38	20	2.0

Component Parts for Flange Assembly of Wafer Check Valves Type 369

21 80 01

Flange Adaptors PVC-U Jointing face flat, metric



d	DN	PN	Code	kg	
40	32	16	721 800 109	0,038	
50	40	16	721 800 110	0,055	
63	50	16	721 800 111	0,104	
75	65	16	721 800 112	0,155	
90	80	16	721 800 113	0,156	
110	100	16	721 800 114	0,417	
140	125	16	721 800 116	0,748	
160	150	16	721 790 117	1,077	
225	200	10	721 790 120	1,758	
280	250	10	721 790 122	2,895	
315	300	6	721 790 123	4,450	

21 70 00

Backing Flanges, PVC-U metric

d	DN	inch	PN	Code	kg	
40	32	1 1/4	10	721 700 009	0,194	
50	40	1 1/2	10	721 700 010	0,245	
63	50	2	10	721 700 011	0,311	
75	65	2 1/2	10	721 700 012	0,375	
90	80	3	10	721 700 013	0,471	
110	100	4	10	721 700 014	0,554	
140	125	5	10	721 700 016	0,746	
160	150	6	10	721 700 017	1,012	
225	200	8	10	721 700 020	1,360	
280	250	10	6	721 700 137	1,730	
315	300	12	6	721 700 138	2,350	

Backing Flanges, PP-V for Socket Systems metric

d	DN	inch	PN	Code	SP	kg	
40	32		16	727 700 409	-	0,220	
50	40		16	727 700 410	-	0,210	
63	50		16	727 700 411	-	0,380	
75	65		16	727 700 412	-	0,480	
90	80		16	727 700 413	-	0,520	
110	100		16	727 700 414	-	0,680	
140	125		16	727 700 416	-	0,800	
160	150	6	16	727 700 417	-	1,200	
225	200	8	16	727 700 420	-	1,400	
280	250		16	727 700 422	-	1,700	
315	300		16	727 700 423	-	2,400	

27 70 02

**Backing Flanges, PP with steel ring
metric
for Socket Systems metric**

d	DN	PN	Code	kg	
40	32	16	727 700 209	0,650	
50	40	16	727 700 210	0,820	
63	50	16	727 700 211	0,940	
75	65	16	727 700 212	1,300	
90	80	16	727 700 213	1,400	
110	100	16	727 700 214	1,560	
140	125	16	727 700 216	2,120	
160	150	16	727 700 217	3,390	
225	200	16	727 700 220	4,410	
280	250	16	727 700 222	5,520	
315	300	16	727 700 223	7,600	

Spare parts for wafer check valve type 369 PVC-U

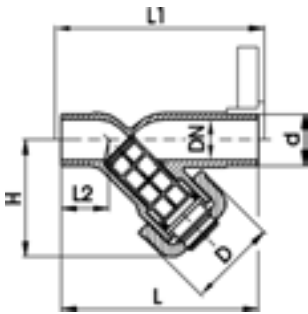


No.	Article / Material	Pieces	d40 DN 32	d50 DN 40	d63 DN 50	d75 DN 65	d90 DN 80	d110 DN 100	DN	d140 DN 125
1	Flange gasket EPDM	2	161 484 875	161 486 959	161 486 960	161 486 961	161 486 962	161 486 962		161 486 964
1	Flange gasket FPM	2	161 484 887	161 486 979	161 486 980	161 486 981	161 486 982	161 486 982		161 486 984
3	Spring V4A	1	161 484 900	161 484 901	161 484 902	161 484 903	161 484 904	161 484 905		161 484 905
3	Spring Hastelloy C	1	161 484 912	161 484 913	161 484 914	161 484 915	161 484 916	161 484 917		161 484 917

No.	Article / Material	Pieces	d160 DN 150	d225 DN 200	d280 DN 250	d315 DN 300
1	Flange gasket EPDM	2	161 486 964	161 486 974	161 486 966	161 486 967
1	Flange gasket FPM	2	161 486 984	161 486 993	161 486 986	161 486 987
3	Spring V4A	1	161 484 907	161 484 908	161 484 909	161 484 910
3	Spring Hastelloy C	1	161 484 919	161 484 920	161 484 921	161 484 922

Strainers

Line strainer type 305 PVC-U Transparent body with solvent cement spigots metric

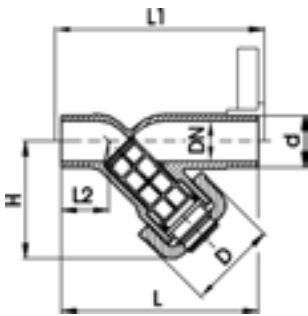


Model:

- Protects valves, pumps, etc. from becoming soiled
- Easy dismantling for cleaning the screens
- **Screen perforation need be ordered separately**
- Overall length according to EN 558

d [mm]	DN [mm]	PN	EPDM Code	FPM Code	GP	kg	D [mm]	L [mm]	L1 [mm]	L2 [mm]	H [mm]
20	15	10	192 305 300	192 305 349	9	0.122	43	124	130	28	65
25	20	10	192 305 350	192 305 399	8	0.170	47	144	150	37	76
32	25	10	192 305 400	192 305 449	4	0.255	56	154	160	37	90
40	32	10	192 305 450	192 305 499	12	0.384	64	174	180	44	104
50	40	10	192 305 500	192 305 549	6	0.635	82	194	200	48	124
63	50	10	192 305 550	192 305 599	8	1.059	95	224	230	60	148
75	65	10	192 305 600	192 305 649	4	1.838	106	284	290	74	188
90	80	10	192 305 650	192 305 699	4	2.565	120	300	310	85	205

Line strainer type 305 PVC-U With solvent cement spigots metric



Model:

- Protects valves, pumps, etc. from becoming soiled
- Easy dismantling for cleaning the screens
- **Screen perforation need be ordered separately**
- Overall length according to EN 558

d [mm]	DN [mm]	PN	EPDM Code	FPM Code	GP	kg	D [mm]	L [mm]	L1 [mm]	L2 [mm]	H [mm]
20	15	10	161 305 300	161 305 349	-	0.134	43	124	130	28	65
25	20	10	161 305 350	161 305 399	10	0.215	47	144	150	37	76
32	25	10	161 305 400	161 305 449	-	0.257	56	154	160	37	90
40	32	10	161 305 450	161 305 499	-	0.386	64	174	180	44	104
50	40	10	161 305 500	161 305 549	-	0.632	82	194	200	48	124
63	50	10	161 305 550	161 305 599	-	1.045	95	224	230	60	148
75	65	10	161 305 600	161 305 649	-	1.871	106	284	290	74	188
90	80	10	161 305 650	161 305 699	-	2.585	120	300	310	85	205



Cylindrical screen type 305 PVC-U Screen perforations 0.5 mm

- For line strainers Type 305

d [mm]	DN [mm]	kv-value ($\Delta p=1$ bar) [l/min]	Code	GP	kg	D [mm]	L [mm]
20	15	35	161 305 339	100	0.005	14	39
25	20	65	161 305 389	100	0.007	18	48
32	25	90	161 305 439	50	0.003	24	60
40	32	155	161 305 489	20	0.004	30	71
50	40	225	161 305 539	10	0.007	38	87
63	50	370	161 305 589	20	0.010	48	106
75	65	575	161 305 639	60	0.012	61	100
90	80	955	161 305 689	24	0.017	73	118



Cylindrical screen type 305 PVC-U Screen perforations 0.8 mm

- For line strainers Type 305

d [mm]	DN [mm]	kv-value ($\Delta p=1$ bar) [l/min]	Code	GP	kg	D [mm]	L [mm]
20	15	35	161 305 338	140	0.005	14	39
25	20	65	161 305 388	140	0.007	18	48
32	25	90	161 305 438	50	0.003	24	60
40	32	155	161 305 488	-	0.004	30	71
50	40	225	161 305 538	14	0.006	38	87
63	50	370	161 305 588	20	0.009	48	106
75	65	575	161 305 638	60	0.012	61	100
90	80	955	161 305 688	24	0.010	73	118



Cylindrical screen type 305 PVC-U Screen perforations 1.4 mm

- For line strainers Type 305

d [mm]	DN [mm]	kv-value ($\Delta p=1$ bar) [l/min]	Code	GP	kg	D [mm]	L [mm]
20	15	35	161 305 337	100	0.005	14	39
25	20	65	161 305 387	140	0.003	18	48
32	25	90	161 305 437	50	0.003	24	60
40	32	155	161 305 487	20	0.004	30	71
50	40	225	161 305 537	10	0.006	38	87
63	50	370	161 305 587	20	0.008	48	106
75	65	575	161 305 637	60	0.011	61	100
90	80	955	161 305 687	24	0.015	73	118



Cylindrical screen type 305 PVC-U Screen perforations 2.2 mm

- For line strainers Type 305

d [mm]	DN [mm]	kv-value ($\Delta p=1$ bar) [l/min]	Code	GP	kg	D [mm]	L [mm]
20	15	35	161 305 336	100	0.005	14	39
25	20	65	161 305 386	140	0.003	18	48
32	25	90	161 305 436	70	0.003	24	60
40	32	155	161 305 486	20	0.003	30	71
50	40	225	161 305 536	10	0.005	38	87
63	50	370	161 305 586	20	0.008	48	106
75	65	575	161 305 636	60	0.010	61	100
90	80	955	161 305 686	-	0.013	73	118

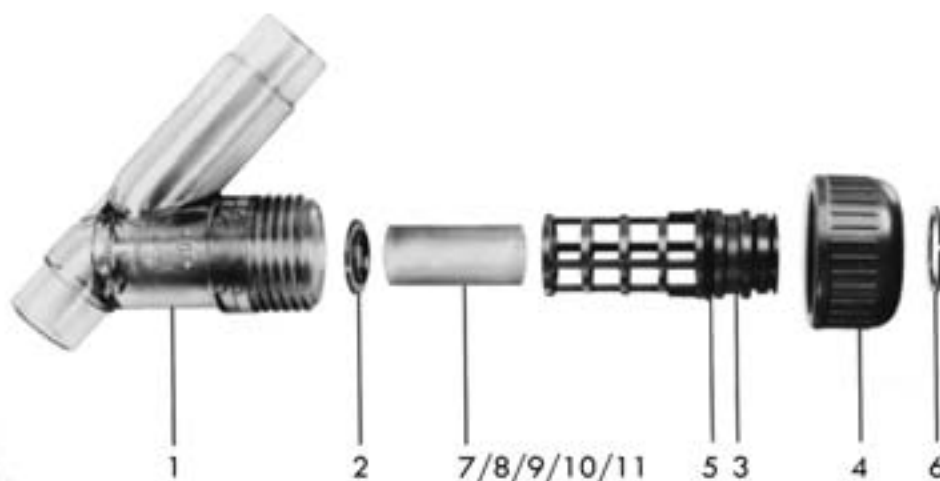


Screen stainless steel Screen perforation 0.5 mm

- For line strainers Type 305

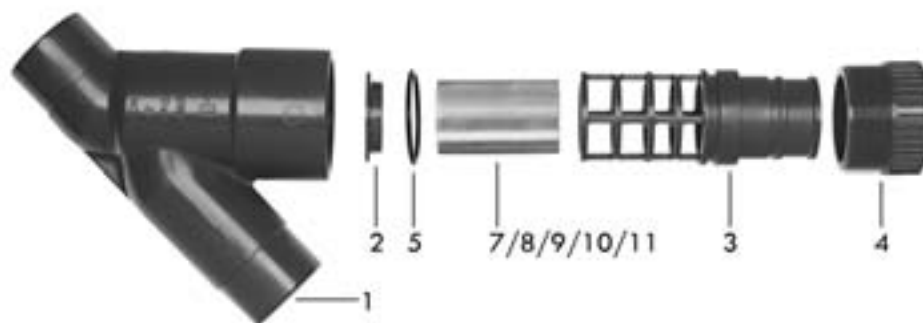
d [mm]	DN [mm]	Inch	kv-value ($\Delta p=1$ bar) [l/min]	Code	GP	kg	D [mm]	L [mm]
20	15	½	35	161 486 100	-	0.002	14	39
25	20	¾	60	161 486 101	-	0.004	18	48
32	40	1	85	161 486 102	-	0.006	24	60
40	32	1 ¼	130	161 486 103	-	0.009	30	71
50	40	1 ½	200	161 486 104	-	0.014	38	87
63	50	2	330	161 486 105	-	0.022	48	106
75	65	2 ½	460	161 486 106	-	0.026	61	100
90	80	3	665	161 486 107	-	0.036	73	118

Spare parts for line strainer type 305 (DN15-50) PVC-U



No.	Article / Material	Pieces	d20 DN 15	d25 DN 20	d32 DN 25	d40 DN 32	d50 DN 40	d63 DN 50
3	Screen set		161 483 126	161 483 127	161 483 128	161 483 129	161 483 130	161 483 131
2	Cage PVC-U	1						
6	Screen support ring PVC-U	1						
	Circlip PVC-U	1						
1	Body PVC-U transparent	1	192 300 301	192 300 351	192 300 401	192 300 451	192 300 501	192 300 551
1	Body PVC-U	1	161 300 301	161 300 351	161 300 401	161 300 451	161 300 501	161 300 551
3	Cage PVC-U	1	161 305 303	161 305 353	161 305 403	161 305 453	161 305 503	161 305 553
4	Valve nut PVC-U	1	161 300 308	161 300 358	161 300 408	161 300 458	161 300 508	161 300 558
5	Body seal EPDM	1	748 410 006	748 410 001	748 410 007	748 410 002	748 410 003	748 410 012
5	Body seal FPM	1	749 410 006	749 410 001	749 410 007	749 410 002	749 410 003	749 410 012
7	Screen perforation PVC-U 0.5 mm	1	161 305 339	161 305 389	161 305 439	161 305 489	161 305 539	161 305 589
8	Screen perforation PVC-U 0.8 mm	1	161 305 338	161 305 388	161 305 438	161 305 488	161 305 538	161 305 588
9	Screen perforation PVC-U 1.4 mm	1	161 305 337	161 305 387	161 305 437	161 305 487	161 305 537	161 305 587
10	Screen perforation PVC-U 2.2 mm	1	161 305 336	161 305 386	161 305 436	161 305 486	161 305 536	161 305 586
11	Screen perforation Stainless steel 0.5 mm	1	161 486 100	161 486 101	161 486 102	161 486 103	161 486 104	161 486 105

Spare parts for line strainer type 305 (DN65-80) PVC-U



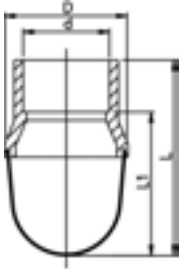
No.	Article / Material	Pieces	d75 DN 65	d90 DN 80
3	Screen set Cage PVC-U	1	161 483 132	161 483 133
2	Screen support ring PVC-U	1		
1	Body PVC-U transparent	1	192 300 601	192 300 651
1	Body PVC-U	1	161 300 601	161 300 651
3	Cage PVC-U	1	161 305 603	161 305 653
4	Plug PVC-U	1	161 305 604	161 305 654
5	Body seal EPDM	1	748 410 013	748 410 014
5	Body seal FPM	1	749 410 013	749 410 014
7	Screen perforation PVC-U 0.5 mm	1	161 305 639	161 305 689
8	Screen perforation PVC-U 0.8 mm	1	161 305 638	161 305 688
9	Screen perforation PVC-U 1.4 mm	1	161 305 637	161 305 687
10	Screen perforation PVC-U 2.2 mm	1	161 305 636	161 305 686
11	Screen perforation Stainless steel 0.5 mm	1	161 486 106	161 486 107

Screen assemblies and Inspection glass

Screen assembly type 050 PVC-U With solvent cement sockets metric



DN 15 - 50



DN 15-50

Inch	d [mm]	DN [mm]	kv-value ($\Delta p=1$ bar) [l/min]	Code	GP	kg	D [mm]	L [mm]	L1 [mm]	perforations \emptyset [mm]
1/2	20	15	105	161 050 026	9	0.033	50	64	80	2
3/4	25	20	228	161 050 027	9	0.038	50	64	83	2
1	32	25	390	161 050 028	9	0.044	50	64	86	2
1 1/4	40	32	563	161 050 029	-	0.134	90	105	131	2
1 1/2	50	40	813	161 050 030	12	0.151	90	105	136	2
2	63	50	1590	161 050 031	12	0.190	90	105	143	2

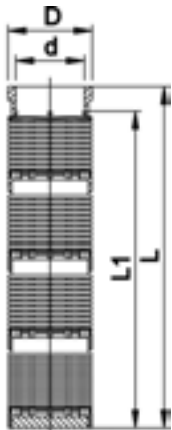
Screen assembly type 050 PVC-U With solvent cement sockets metric

Model:

- ¹ Screen with 1 extension and end plate, solvent cemented
- ² Screen with 2 extensions and end plate, solvent cemented
- ³ Screen with 3 extensions and end plate, solvent cemented

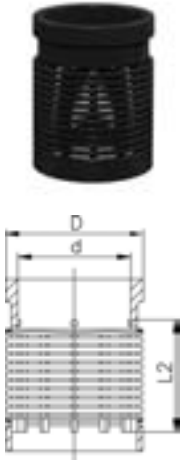


DN65-100



DN 65-100

d [mm]	DN [mm]	kv-value ($\Delta p=1$ bar) [l/min]	Code	GP	kg	D [mm]	L [mm]	L1 [mm]	lamina width [mm]
¹ 75	65	9640	161 050 032	4	0.805	110	260	216	2.5
² 90	80	14790	161 050 033	3	0.895	110	345	312	2.5
³ 110	100	15213	161 050 034	6	1.290	125	490	460	2.5



Screen type 050 PVC-U With solvent cement sockets metric

- For Screen Assemblies Type 050, PVC-U, DN 65-100

Inch	d [mm]	DN [mm]	Code	GP	kg	D [mm]	L2 [mm]	lamina width [mm]
2 1/2	75	65	161 090 024	-	0.440	110	90	
3	90	80	161 090 002	-	0.300	110	90	3
4	110	100	161 090 003	-	0.457	125	135	3



Extention type 050 PVC-U

- For Screen Assemblies Type 050, PVC-U, DN 65-100

d-d [mm]	DN-DN [mm]	Inch	Code	GP	kg	L3 [mm]
75 - 110	65 - 100	2 1/2 - 4	161 090 019	-	0.215	103

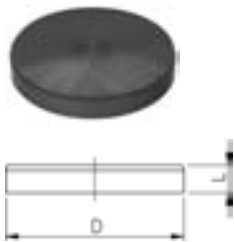


Plate type 050 PVC-U

- For Screen Assemblies Type 050, PVC-U, DN 65-100

d-d [mm]	DN-DN [mm]	Inch	Code	GP	kg	D [mm]	L [mm]
75 - 110	65 - 100	2 1/2 - 4	161 090 018	-	0.155	100	16



Inspection glass type 001 PVC-U

Model:

- For visual inspection of the medium in the pipeline
- For horizontal or vertical installation

d [mm]	DN [mm]	PN	EPDM Code	GP	kg	z [mm]	D [mm]	D1 [mm]	L [mm]
50	40	10	199 001 240	-	0.610	178	83	29	150

Pipe Clips metric

KLIP-IT Pipe Clips Type 061H, PP metric

Model:

- For mm-pipes d16-d63
- Material: PP black, UV resistant
- **Minimum order quantity: standard packagings SP**

- d16 - d63: height designed for Ball Valve Type 546
- * d16 to d32 without bracket



d [mm]	Code	SP	GP	kg	D [mm]	D1 [mm]	L1 [mm]	L2 [mm]	H [mm]	H1 [mm]	H2 [mm]	H3 [mm]	SC
*16	167 061 035	10	-	0.006	6	11	14	17	27	10	6	16	M5
*20	167 061 036	10	-	0.008	6	11	17	19	27	10	6	16	M5
*25	167 061 037	10	200	0.009	6	11	19	22	30	10	6	16	M5
*32	167 061 038	10	150	0.012	6	11	24	27	36	10	6	16	M5
40	167 061 039	10	140	0.027	7	14	34	34	44	10	7	22	M6
50	167 061 040	10	100	0.031	7	14	37	37	51	10	7	22	M6
63	167 061 041	10	80	0.054	9	17	45	45	64	10	10	25	M8

KLIP-IT Pipe Clips Type 061, PP metric

Model:

- For mm pipes
- Material: Clip and safety clip PP black, UV resistant
- **Minimum order quantity: standard packagings SP**

- d16 - d63: height designed for Ball Valve Type 546



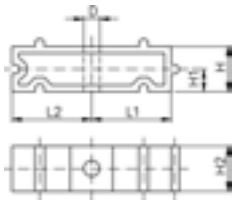
d [mm]	Code	SP	GP	D [mm]	D1 [mm]	L1 [mm]	L2 [mm]	H [mm]	H1 [mm]	H2 [mm]	H3 [mm]	SC
*10	167 061 003	10	500	5	8	11	14	20	10	6	12	M4
*12	167 061 004	10	500	5	8	11	14	21	10	6	12	M5
*16	167 061 035	10	-	6	11	14	17	27	10	6	16	M5
*20	167 061 036	10	-	6	11	17	19	27	10	6	16	M5
*25	167 061 037	10	200	6	11	19	22	30	10	6	16	M5
*32	167 061 038	10	150	6	11	24	27	36	10	6	16	M5
40	167 061 039	10	140	7	14	34	34	44	10	7	22	M6
50	167 061 040	10	100	7	14	37	37	51	10	7	22	M6
63	167 061 041	10	80	9	17	45	45	64	10	10	25	M8
75	167 061 012	10	60	9	17	52	52	58	10	10	25	M8
90	167 061 013	10	80	9	17	65	65	65	10	10	28	M8
110	167 061 014	10	40	9	17	79	79	75	10	10	28	M8
125	167 061 015	10	30	9	17	88	88	90	10	10	32	M8
140	167 061 016	10	20	9	17	98	98	110	10	10	32	M8
160	167 061 017	10	20	9	17	109	109	108	10	10	32	M8



KLIP-IT Spacer Type 061, PP

Model:

- For pipe clips Type 061/061H, PP black, UV resistant
- **Minimum order quantity: standard packaging SP**

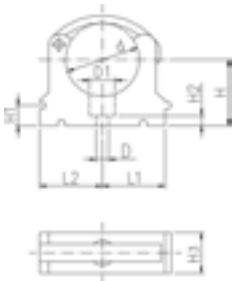


d [mm]	Inch [inch]	Code	SP	GP	kg	D [mm]	L1 [mm]	L2 [mm]	H [mm]	H1 [mm]	H2 [mm]	SC
10 - 12	1/8 - 1/4	167 061 153	10	500	0.003	5	11	14	20	10	12	M4
16	3/8	167 061 155	10	200	0.006	6	14	17	20	10	16	M5
20	1/2	167 061 156	10	200	0.006	6	17	19	20	10	16	M5
25	3/4	167 061 157	10	200	0.007	6	19	22	20	10	16	M5
32	1	167 061 158	10	200	0.008	6	24	27	20	10	16	M5
40	1 1/4	167 061 159	10	150	0.016	7	34	34	20	10	22	M6
50	1 1/2	167 061 160	10	140	0.017	7	37	37	20	10	22	M6
63	2	167 061 161	10	80	0.024	9	45	45	20	10	25	M8
75	2 1/2	167 061 162	10	60	0.027	9	52	52	20	10	25	M8
90	3	167 061 163	10	140	0.040	9	65	65	20	10	28	M8
110	4	167 061 164	10	100	0.048	9	79	79	20	10	28	M8
125	4 1/2	167 061 165	10	100	0.059	9	88	88	20	10	32	M8
140	5	167 061 166	10	80	0.065	9	98	98	20	10	32	M8
160	6	167 061 167	10	80	0.074	9	109	109	20	10	32	M8

KLIP-IT Pipe Clips Type 061, PE metric

Model:

- For mm pipes
- Material: Clip PE and safety clip PP black
- **Minimum order quantity: standard packaging SP**



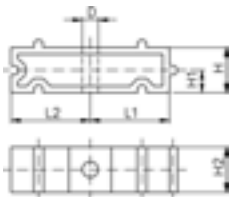
- Height not designed for ball valve 546. Please use spacer 73 06 11.

d [mm]	Code	SP	GP	kg	D [mm]	D1 [mm]	L1 [mm]	L2 [mm]	H [mm]	H1 [mm]	H2 [mm]	H3 [mm]	SC
*10	173 061 003	10	500	0.003	5	8	11	14	20	10	6	12	M4
*12	173 061 004	10	500	0.006	5	8	11	14	21	10	6	12	M5
*16	173 061 005	10	200	0.007	6	11	14	17	23	10	6	16	M5
*20	173 061 006	10	200	0.008	6	11	17	19	25	10	6	16	M5
*25	173 061 007	10	200	0.009	6	11	19	22	28	10	6	16	M5
*32	173 061 008	10	200	0.012	6	11	24	27	31	10	6	16	M5
40	173 061 009	10	150	0.022	7	14	34	34	35	10	7	22	M6
50	173 061 010	10	140	0.030	7	14	37	37	40	10	7	22	M6
63	173 061 011	10	80	0.044	9	17	45	45	52	10	10	25	M8
75	173 061 012	10	60	0.062	9	17	52	52	58	10	10	25	M8
90	173 061 013	10	80	0.090	9	17	65	65	65	10	10	28	M8
110	173 061 014	10	40	0.114	9	17	79	79	75	10	10	28	M8
125	173 061 015	10	30	0.174	9	17	88	88	90	10	10	32	M8
140	173 061 016	10	20	0.217	9	17	98	98	110	10	10	32	M8
160	173 061 017	10	20	0.237	9	17	109	109	108	10	10	32	M8

KLIP-IT Spacer Type 061, PE

Model:

- For pipe clips Type 061, PE black, UV resistant
- **Minimum order quantity: standard packaging SP**

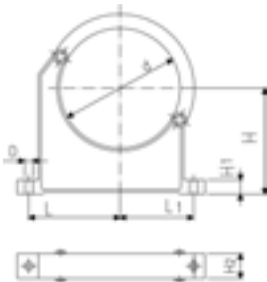


d	Inch	Code	SP	GP	kg	D	L1	L2	H	H1	H2	SC
[mm]						[mm]	[mm]	[mm]	[mm]	[mm]	[mm]	
16	1/8-1/4	173 061 153	10	500	0.003	5	11	14	20	10	12	M4
20	3/8	173 061 155	10	200	0.005	6	14	17	20	10	16	M5
25	1/2	173 061 156	10	200	0.006	6	17	19	20	10	16	M5
32	3/4	173 061 157	10	200	0.007	6	19	22	20	10	16	M5
40	1	173 061 158	10	200	0.008	6	24	27	20	10	16	M5
50	1 1/4	173 061 159	10	150	0.016	7	34	34	20	10	22	M6
63	1 1/2	173 061 160	10	140	0.017	7	37	37	20	10	22	M6
75	2	173 061 161	10	80	0.025	9	45	45	20	10	25	M8
90	2 1/2	173 061 162	10	60	0.027	9	52	52	20	10	25	M8
110	3	173 061 163	10	140	0.040	9	65	65	20	10	28	M8
125	4	173 061 164	10	100	0.048	9	79	79	20	10	28	M8
140	4 1/2	173 061 165	10	100	0.059	9	88	88	20	10	32	M8
160	5	173 061 166	10	80	0.065	9	98	98	20	10	32	M8
	6	173 061 167	10	80	0.074	9	109	109	20	10	32	M8

Pipe Clips Type 060, PP metric

Model:

- For mm pipes d90-400
- Material: Clip and safety clip PP black, UV resistant
- Accidental opening of the safety clip is not possible
- **Minimum order quantity: standard packaging SP or gross packaging GP**
- Clip and safety clip are not assembled in the packaging.
- Pipes with flanges can be installed directly



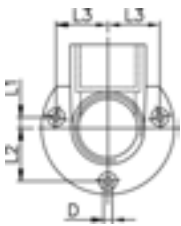
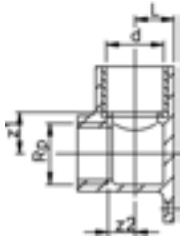
d	Code	SP	GP	kg	D	L	L1	H	H1	H2	SC
[mm]					[mm]	[mm]	[mm]	[mm]	[mm]	[mm]	
90	167 060 038	10	40	0.163	9	89	71	105	15	33	M 8
110	167 060 039	10	30	0.179	9	94	80	115	15	33	M 8
125	167 060 040	10	20	0.300	11	116	91	130	20	35	M10
140	167 060 041	10	20	0.309	11	121	98	130	20	35	M10
160	167 060 042	10	20	0.348	11	131	107	148	20	35	M10
180	167 060 043	10	-	0.378	11	143	115	163	20	35	M10
200	167 060 019	5	-	0.582	13	152	120	175	25	39	M12
225	167 060 020	5	-	0.612	13	165	132	175	25	39	M12
250	167 060 021	5	-	0.698	13	183	143	200	25	39	M12
280	167 060 022	5	-	0.722	13	198	156	200	25	39	M12
315	167 060 023	5	-	0.842	13	219	172	225	25	39	M12
355	167 060 024	5	-	1.250	17	275	209	258	30	50	M16
400	167 060 025	5	-	1.450	17	300	228	288	30	50	M16

20 100

Wall Mounting Brackets, Brass/PVC-U

Model:

- Brass, with parallel female thread Rp and PVC-U solvent socket insert metric



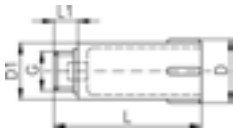
d [mm]	Rp [inch]	PN	Code	SP	GP	kg	z1 [mm]	z2 [mm]	D [mm]	L [mm]	L1 [mm]	L2 [mm]	L3 [mm]
16	3/8	16	160 100 250	10	90	0.252	21	9	5	14	6	19	18
20	1/2	16	160 100 300	5	50	0.278	22	9	5	16	6	19	18
25	3/4	16	160 100 350	5	50	0.258	25	11	5	17	5	24	23

9 150 000

Wall Inlet Plugs, PVC-U

Model:

- Gasket: flat gasket Code No. 748 400 001, EPDM
- Use: for all fittings with parallel female thread in accordance with ISO 7
- The wall inlet plug has a parallel male thread G



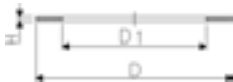
G [inch]	Code	SP	GP	kg	D [mm]	D1 [mm]	L [mm]	L1 [mm]
1/2	799 150 003	10	100	0.042	39	32	87	11

48 40 00

Flat Gaskets

Model:

- Hardness : EPDM ca. 70° Shore
- For Wall Inlet Plugs



G [inch]	EPDM Code	SP	GP	kg	D [mm]	D1 [mm]	H [mm]
1/2	748 400 001	100	2000	0.002	28	22	3

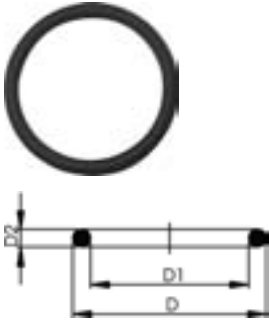
Seals

EPDM 48 41 00
FPM 49 41 00

O-Ring Gaskets

Model:

- For unions and adaptor unions
- Hardness approx. 65° Shore
- EPDM minimum temperature -40°C
- FPM minimum temperature -15°C



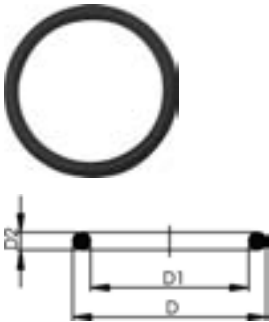
d [mm]	DN [mm]	EPDM Code	FPM Code	SP	GP	kg	D [mm]	D1 [mm]	D2 [mm]
10 - 12	8	748 410 004	749 410 004	-	-	0.002	18	12	3
16	10	748 410 005	749 410 005	-	-	0.002	21	16	3
20	15	748 410 006	749 410 006	-	-	0.002	27	20	4
25	20	748 410 007	749 410 007	100	1400	0.002	35	28	4
32	25	748 410 008	749 410 008	100	-	0.002	40	33	4
40	32	748 410 009	749 410 009	-	-	0.006	51	41	5
50	40	748 410 010	749 410 010	-	-	0.007	58	47	5
63	50	748 410 011	749 410 011	100	3500	0.010	70	60	5
75	65	748 410 014	749 410 014	100	600	0.012	93	82	5
90	80	748 410 015	749 410 015	100	600	0.015	112	101	5
110	100	748 410 016	749 410 016	50	200	0.031	134	120	7

EPDM 48 41 01
FPM 49 41 01

O-Ring Gaskets

Model:

- For Flange Adaptors
- Hardness approx. 65° Shore



d [mm]	DN [mm]	EPDM Code	FPM Code	SP	GP	kg	D [mm]	D1 [mm]	D2 [mm]
16	10	748 410 000	749 410 000	-	-	0.002	26	19	4
20	15	748 410 001	749 410 001	100	-	0.002	31	23	4
25	20	748 410 007	749 410 007	100	1400	0.002	35	28	4
32	25	748 410 002	749 410 002	100	-	0.003	43	36	4
40	32	748 410 003	749 410 003	-	-	0.007	55	44	5
50	40	748 410 012	749 410 012	100	1000	0.008	64	53	5
63	50	748 410 013	749 410 013	100	600	0.011	80	69	5
75	65	748 410 014	749 410 014	100	600	0.012	93	82	5
90	80	748 410 015	749 410 015	100	600	0.015	112	101	5
110	100	748 410 016	749 410 016	50	200	0.031	134	120	7
125	100	748 410 017	749 410 017	200	-	0.036	150	136	7
140	125	748 410 018	749 410 018	200	-	0.039	166	152	7
160	150	748 410 019	749 410 019	200	-	0.047	191	177	7
200	200	748 410 163	749 410 163	-	-	0.056	236	222	7
225	200	748 410 022	749 410 022	150	-	0.060	255	241	7
250	250	748 410 182	749 410 182	-	-	0.003	280	266	7
280	250	748 410 173	749 410 173	-	-	0.044	306	292	7
315	300	748 410 174	749 410 174	-	-	0.051	356	342	7

EPDM 48 40 00
FPM 49 40 00

Flat Gaskets

Model:

- For Flange Adaptors 21 79 01/21 80 01
- Hardness: 70° Shore **EPDM**, 75° Shore **FPM**



d [mm]	DN [mm]	Inch	PN	EPDM Code	FPM Code	SP	GP	kg	D [mm]	D1 [mm]	H [mm]
16	10	3/8	10	748 400 014	-	-	-	0.002	27	16	2
20	15	1/2	10	748 400 015	749 400 015	100	-	0.003	32	20	2
25	20	3/4	10	748 400 016	749 400 016	100	-	0.003	39	25	2
32	25	1	10	748 400 017	749 400 017	100	-	0.004	48	32	2
40	32	1 1/4	10	748 400 018	749 400 018	100	-	0.008	59	40	3
50	40	1 1/2	10	748 400 019	749 400 019	100	-	0.012	71	50	3
63	50	2	10	748 400 020	749 400 020	-	-	0.017	88	63	3
75	65	2 1/2	10	748 400 021	749 400 021	50	-	0.024	104	75	3
90	80	3	10	748 400 022	749 400 022	50	-	0.032	123	90	3
110	100	4	10	748 400 023	749 400 023	-	-	0.062	148	110	4
125	100	4	10	748 400 024	749 400 024	-	-	0.058	168	125	4
140	125	5	10	748 400 025	749 400 025	-	-	0.058	186	140	4
160	150	6	10	748 400 026	749 400 026	-	-	0.063	211	160	4
200	200	6	6	748 400 031	-	50	-	0.090	248	195	5
225	200	8	6	748 400 027	749 400 027	-	-	0.103	272	220	5
280	250	10	6	748 400 032	-	-	-	0.138	328	273	5
315	300	12	6	748 400 033	-	-	-	0.207	378	305	5

EPDM 48 40 00
FPM 49 40 00

Flat Gaskets

Model:

- Hardness approx. 65° Shore
- For adaptor unions



d [mm]	Inch	EPDM Code	FPM Code	kg	D [mm]	D1 [mm]	H [mm]
12	1/4	748 400 004	-	0.002	20	13	2
16	3/8	748 400 005	749 400 005	0.002	24	17	2
20	1/2	748 400 006	749 400 006	0.003	30	21	3
25	3/4	748 400 007	749 400 007	0.004	38	27	3
32	1	748 400 008	749 400 008	0.002	44	32	3
40	1 1/4	748 400 009	749 400 009	0.003	55	42	3
50	1 1/2	748 400 010	749 400 010	0.004	62	46	3
63	2	748 400 011	749 400 011	0.006	78	60	3
75	2 1/2	748 400 012	749 400 012	0.009	97	75	3
90	3	748 400 013	749 400 013	0.011	109	88	3

EPDM 48 40 02

Flat Gaskets

Model:

- Hardness approx. 65° Shore
- For tap connectors No. 21 55 03

Attention:

- For tap connector d16 - 1/2": 748 400 030
- For tap connector d20 - 3/4": 748 400 005
- For tap connector d25 - 1": 748 400 006



EPDM Code	SP	GP	kg	D [mm]	D1 [mm]	H [mm]
748 400 030	-	-	0.003	18	14	2
748 400 005	-	-	0.001	24	17	2
748 400 006	-	-	0.003	30	21	3

EPDM 48 44 07
FPM 49 44 07

Profile Flange Gaskets metric EPDM / FPM



Model:

- For all Flange Adaptors
- G-ST-P/K Profile
- Hardness: 70° Shore **EPDM**, 75° Shore **FPM**

di FA are the suitable inner diameters of flange adaptors



d [mm]	DN [mm]	PN	EPDM Code	FPM Code	kg	D [mm]	D1 [mm]	H [mm]	H1 [mm]	di FA [mm]
16	10	16	748 440 705	749 440 705	0.007	46	16	4	3	6 - 16
20	15	16	748 440 706	749 440 706	0.008	51	20	4	3	10 - 20
25	20	16	748 440 707	749 440 707	0.011	61	22	4	3	12 - 22
32	25	16	748 440 708	749 440 708	0.014	71	28	4	3	18 - 28
40	32	16	748 440 709	749 440 709	0.021	82	40	4	3	30 - 40
50	40	16	748 440 710	749 440 710	0.022	92	46	4	3	36 - 46
63	50	16	748 440 711	749 440 711	0.041	107	58	5	4	48 - 58
75	65	16	748 440 712	749 440 712	0.055	127	69	5	4	59 - 69
90	80	16	748 440 713	749 440 713	0.062	142	84	5	4	73 - 84
110	100	16	748 440 714	749 440 714	0.085	162	104	6	5	94 - 104
125	100	16	748 440 715	749 440 715	0.158	162	123	6	5	113 - 123
140	125	16	748 440 716	749 440 716	0.118	192	137	6	5	127 - 137
160 / 180	150	16	748 440 717	749 440 717	0.153	218	160	8	6	150 - 160
200	200	16	748 440 719	749 440 719	0.263	273	203	8	6	192 - 203
225	200	16	748 440 720	749 440 720	0.181	273	220	8	6	207 - 220
250	250	16	748 440 721	749 440 721	0.410	328	252	8	6	238 - 252
280	250	16	748 440 722	749 440 722	0.226	328	274	8	6	264 - 274
315	300	16	748 440 723	749 440 723	0.334	378	306	8	6	296 - 306
355	350	16	748 440 724	749 440 724	0.410	438	355	10	7	340 - 355
400	400	16	748 440 725	749 440 725	0.513	489	400	10	7	385 - 400
450	500	16	748 440 726	749 440 726	0.718	594	403	10	7	393 - 403
500	500	16	748 440 727	749 440 727	0.718	594	447	10	7	437 - 447
560	600	16	748 440 728	749 440 728	0.923	695	494	10	7	484 - 494
630	600	16	748 440 729	749 440 729	0.923	695	555	10	7	545 - 555

Solvent Cements and Tools

Tangit Solvent Cement for PVC-U



- 0.125 kg tube
- Tin à 0.250, 0.500 und 1.000 kg (Net)

Code	SP	GP	kg
799 298 000	12	-	0.142
799 298 001	-	-	0.330
799 298 002	12	-	0.625
799 298 003	8	-	1.180

Tangit Cleaner



Model:

- For PVC-U, PVC-C, ABS
- 1 litre tin

Code	GP	kg
799 298 010	-	0.900

Dytex Special Solvent Cement for PVC-U



Model:

- Special solvent cement, transparent.
- For concentrated acids and strong oxidizing agents the use of Dytex is recommended
- 1.350 kg (net) tin

Code	SP	GP	kg
799 298 012	-	-	1.465

Dytex Solvent/Cleaner for PVC-U



Model:

- 1 litre tin

Code	SP	GP	kg
799 298 013	-	-	1.380

Cap for cement



- Cap prevents the evaporation of the solvent whilst using the Tangit cement

Code	kg
799 298 028	0.030



Round Brushes

d-d [mm]		Code	kg	
6 - 10	4 mm (for Fittings 6-10mm)	799 299 001	0.005	
12 - 32	8 mm (for Fittings 12-32mm)	799 299 002	0.009	



Flat Brushes

d-d [mm]		Code	kg	
40 - 63	25x3 mm (for Fittings 40-63mm)	799 299 003	0.015	
75 - 225	50x5 mm (for Fittings 75-225mm)	799 299 004	0.026	
250 - 400	75x6 mm (for Fittings 250-400mm)	799 299 005	0.045	



Replacement cutting wheels

- for plastic pipe cutter

d-d [mm]	Article	Code	SP	GP	kg	
10 - 63	SR 63 max. s=7,2 mm	790 109 011	-	-	0.004	
50 - 110	SR 110/160 max. s=12,7 mm	790 109 012	-	-	0.017	
110 - 160	SR 160 max. s=19,0 mm	790 109 013	-	-	0.023	



Chamfering Tool

Size	d-d [mm]	Code	kg	
1	16 - 75	799 495 145	0.720	
2	32 - 200	799 495 146	0.992	

Cutter for Chamfering Tool

Size	d-d [mm]	Code	SP	GP	kg	
1+2	16 - 250	708 402 217	-	-	0.010	

One system - many options

Georg Fischer presents the new 567/568 type series of butterfly valves with a comprehensive range of products and a multitude of interesting combination possibilities. We can offer you, for example, manual valves with hand lever or reduction gear. The program also includes pneumatically or electrically actuated valves from DN50 to DN200.

Our system's modular design principle allows you to exchange individual system components – fast, easily and at very little expense. You also have a choice of materials: PVC-U, PVC-C, ABS, or β -PP-H and PVDF. Our standard sealing materials are EPDM and FPM, but other materials are available on request.

All the customary installation pipe standards are supplied:

- metric: DIN, EN, ISO
- inch: BS, ASTM
- JIS (only wafer-type valves)

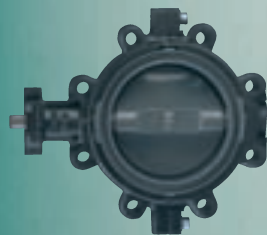
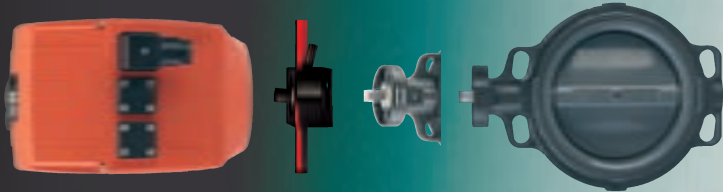
With this wide range of products to choose from you can always be sure of having the best possible solution for your application. The new butterfly valves type 567/568 from Georg Fischer Piping Systems conform to the following international standards:

prEN ISO 16136
Industrial valves – butterfly valves in thermoplastic materials

ISO 9393
Thermoplastic valves – pressure test methods and requirements

EN 558
Face-to-face length of butterfly valves corresponds to EN 558

Approvals pending:
DIBt, NSF61, TA Luft



Standard
Lug-type butterfly valve/
end installation
Type 568

Standard
Wafer-type butterfly
valve
Type 567

Butterfly valve
with fine adjustment

Butterfly valve
with reduction gear

Butterfly valve
with pneumatic actuator
– single acting

Butterfly valve
with pneumatic actuator
– double acting; optional
manual override

Butterfly valve with
electric actuator;
optional manual
override and electric
position indicator

Ball valves electric

Ball valve type 107 PVC-U 100-230V With manual emergency override With solvent cement sockets metric



Model:

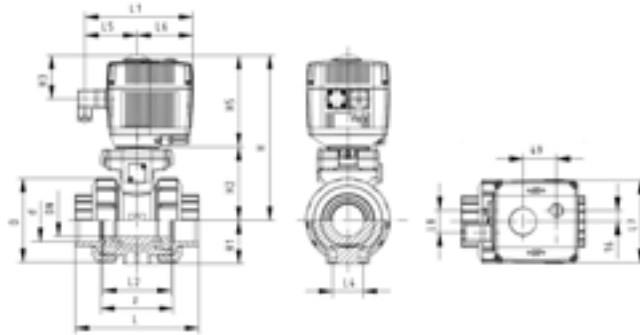
- Built on with electric actuator EA11
- For easy installation and removal
- Integrated stainless steel mounting inserts
- Voltage 100-230 V, 50-60 Hz
- Control range 90°<
- Control time 5 s/90°<

Option:

- Individual configuration of the valve (see form)

d [mm]	DN [mm]	PN	kv-value ($\Delta p=1$ bar) [l/min]	EPDM Code	FPM Code	kg
16	10	10	70	199 107 002	199 107 012	2.072
20	15	10	185	199 107 003	199 107 013	2.072
25	20	10	350	199 107 004	199 107 014	2.189
32	25	10	700	199 107 005	199 107 015	2.189
40	32	10	1000	199 107 006	199 107 016	2.592
50	40	10	1600	199 107 007	199 107 017	2.914
63	50	10	3100	199 107 008	199 107 018	2.914

d [mm]	D [mm]	H [mm]	H1 [mm]	H2 [mm]	H3 [mm]	H5 [mm]	L [mm]	L1 [mm]	L2 [mm]	L4 [mm]	L5 [mm]	L6 [mm]	L7 [mm]	L8 [mm]	z [mm]
16	50	200	27	64	64	137	92	161	56	25	77	83	122	33	64
20	50	200	27	64	64	137	95	161	56	25	77	83	122	33	64
25	58	209	30	73	64	137	110	161	65	25	77	83	122	33	72
32	68	209	36	73	64	137	123	161	71	25	77	83	122	33	79
40	84	220	44	84	64	137	146	161	85	45	77	83	122	33	94
50	97	220	51	84	64	137	157	161	89	45	77	83	122	33	95
63	124	243	64	106	64	137	183	161	101	45	77	83	122	33	107





Ball valve type 107 PVC-U 100-230V With manual emergency override With solvent cement spigots metric

Model:

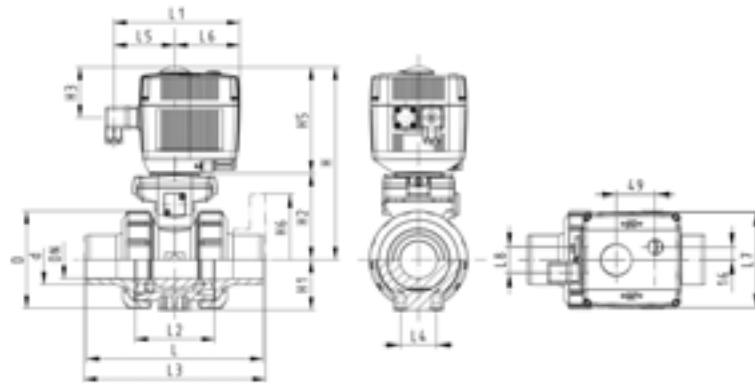
- Built on with electric actuator EA11
- For easy installation and removal
- Integrated stainless steel mounting inserts
- Voltage 100-230 V, 50-60 Hz
- Control range 90°<
- Control time 5 s/90°<

Option:

- Individual configuration of the valve (see form)

d [mm]	DN [mm]	PN	kv-value ($\Delta p=1$ bar) [l/min]	EPDM Code	FPM Code	kg
16	10	10	70	199 107 022	199 107 032	2.072
20	15	10	185	199 107 023	199 107 033	2.072
25	20	10	350	199 107 024	199 107 034	2.189
32	25	10	700	199 107 025	199 107 035	2.189
40	32	10	1000	199 107 026	199 107 036	2.592
50	40	10	1600	199 107 027	199 107 037	2.914
63	50	10	3100	199 107 028	199 107 038	3.772

d [mm]	D [mm]	H [mm]	H1 [mm]	H2 [mm]	H3 [mm]	H5 [mm]	L [mm]	L1 [mm]	L2 [mm]	L3 [mm]	L4 [mm]	L5 [mm]	L6 [mm]	L7 [mm]	L8 [mm]
16	50	200	27	64	64	137	114	161	56	130	25	77	83	122	33
20	50	200	27	64	64	137	124	161	56	130	25	77	83	122	33
25	58	209	30	73	64	137	144	161	65	150	25	77	83	122	33
32	68	209	36	73	64	137	154	161	71	160	25	77	83	122	33
40	84	220	44	84	64	137	174	161	85	180	45	77	83	122	33
50	97	220	51	84	64	137	194	161	89	200	45	77	83	122	33
63	124	243	64	106	64	137	224	161	101	230	45	77	83	122	33





Ball valve type 107 PVC-U 100-230V With manual emergency override With threaded sockets Rp

Model:

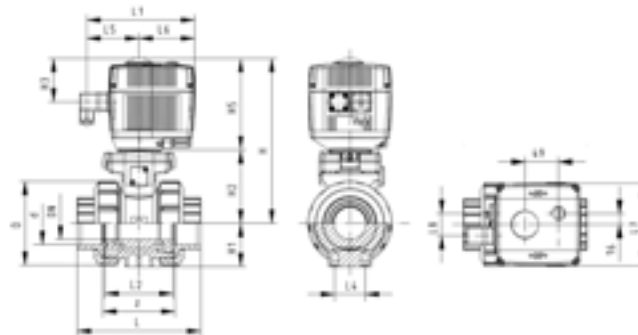
- Built on with electric actuator EA11
- For easy installation and removal
- Integrated stainless steel mounting inserts
- Voltage 100-230 V, 50-60 Hz
- Control range 90°<
- Control time 5 s/90°<

Option:

- Individual configuration of the valve (see form)

Rp [inch]	DN [mm]	PN	kv-value ($\Delta p=1$ bar) [l/min]	EPDM Code	FPM Code	kg	
3/8	10	10	70	199 107 622	199 107 632	2.100	
1/2	15	10	185	199 107 623	199 107 633	2.100	
3/4	20	10	350	199 107 624	199 107 634	2.200	
1	25	10	700	199 107 625	199 107 635	2.300	
1 1/4	32	10	1000	199 107 626	199 107 636	2.600	
1 1/2	40	10	1600	199 107 627	199 107 637	3.000	
2	50	10	3100	199 107 628	199 107 638	3.800	

Rp [inch]	D [mm]	H [mm]	H1 [mm]	H2 [mm]	H3 [mm]	H5 [mm]	L [mm]	L1 [mm]	L2 [mm]	L4 [mm]	L5 [mm]	L6 [mm]	L7 [mm]	L8 [mm]	z [mm]
3/8	50	200	27	64	64	137	92	161	56	25	77	83	122	33	64
1/2	50	200	27	64	64	137	95	161	56	25	77	83	122	33	64
3/4	58	209	30	73	64	137	110	161	65	25	77	83	122	33	72
1	68	209	36	73	64	137	123	161	71	25	77	83	122	33	79
1 1/4	84	220	44	84	64	137	146	161	85	45	77	83	122	33	94
1 1/2	97	220	51	84	64	137	157	161	89	45	77	83	122	33	95
2	124	243	64	106	64	137	183	161	101	45	77	83	122	33	107





Ball valve type 107 PVC-U 100-230V With manual emergency override With fixed flanges serrated metric

Model:

- Built on with electric actuator EA11
- For easy installation and removal
- Integrated stainless steel mounting inserts
- Voltage 100-230 V, 50-60 Hz
- Control range 90°<
- Control time 5 s/90°<
- Overall length according to EN 558
- Connecting dimensions: ISO 7005 / EN 1092 / DIN 2501 PN10 / BS4504

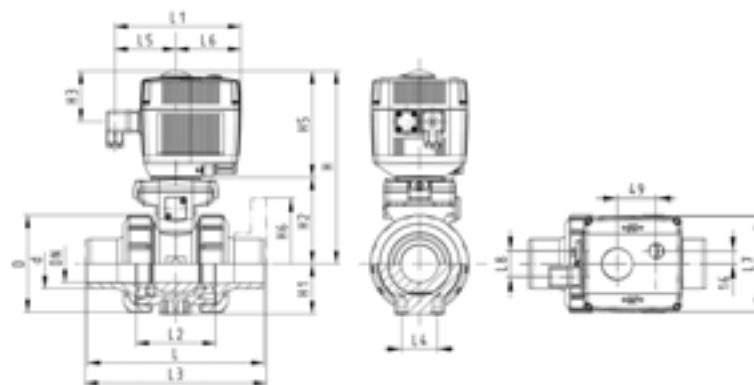
Option:

- Individual configuration of the valve (see form)

d [mm]	DN [mm]	Inch	PN	kv-value ($\Delta p=1$ bar) [l/min]	EPDM Code	FPM Code	kg
20	15	½	10	185	199 107 603	199 107 613	2.300
25	20	¾	10	350	199 107 604	199 107 614	2.500
32	25	1	10	700	199 107 605	199 107 615	2.700
40	32	1 ¼	10	1000	199 107 606	199 107 616	3.200
50	40	1 ½	10	1600	199 107 607	199 107 617	3.700
63	50	2	10	3100	199 107 608	199 107 618	4.776

d [mm]	D [mm]	H [mm]	H1 [mm]	H2 [mm]	H3 [mm]	H5 [mm]	H6 [mm]	L [mm]	L1 [mm]	L2 [mm]	L3 [mm]	L4 [mm]	L5 [mm]	L6 [mm]	L7 [mm]
20	50	201	27	64	65	138	48	124	160	56	130	25	77	83	122
25	58	210	30	73	65	138	53	144	160	65	150	25	77	83	122
32	68	210	36	73	65	138	58	154	160	71	160	25	77	83	122
40	84	221	44	84	65	138	70	174	160	85	180	45	77	83	122
50	97	221	51	84	65	138	75	194	160	89	200	45	77	83	122
63	124	244	64	106	65	138	83	224	160	101	230	45	77	83	122

d [mm]	L8 [mm]
20	33
25	33
32	33
40	33
50	33
63	33





Ball valve type 107 PVC-U 24V With manual emergency override With solvent cement sockets metric

Model:

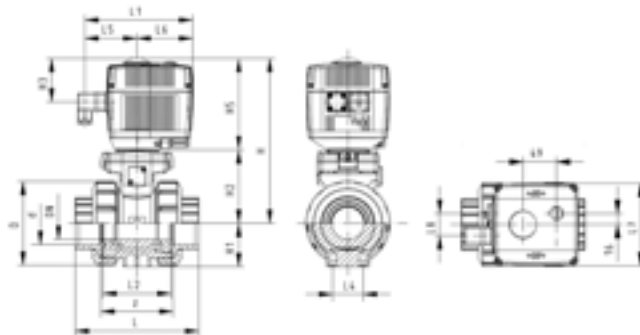
- Built on with electric actuator EA11
- For easy installation and removal
- Integrated stainless steel mounting inserts
- Voltage 24 V AC/DC
- Control range 90°<
- Control time 5 s/90°<

Option:

- Individual configuration of the valve (see form)

d [mm]	DN [mm]	PN	kv-value ($\Delta p=1$ bar) [l/min]	EPDM Code	FPM Code	kg
16	10	10	70	199 107 042	199 107 052	2.072
20	15	10	185	199 107 043	199 107 053	2.072
25	20	10	350	199 107 044	199 107 054	2.189
32	25	10	700	199 107 045	199 107 055	2.189
40	32	10	1000	199 107 046	199 107 056	2.592
50	40	10	1600	199 107 047	199 107 057	2.914
63	50	10	3100	199 107 048	199 107 058	3.772

d [mm]	D [mm]	H [mm]	H1 [mm]	H2 [mm]	H3 [mm]	H5 [mm]	L [mm]	L1 [mm]	L2 [mm]	L4 [mm]	L5 [mm]	L6 [mm]	L7 [mm]	L8 [mm]	z [mm]
16	50	200	27	64	64	137	92	161	56	25	77	83	122	33	64
20	50	200	27	64	64	137	95	161	56	25	77	83	122	33	64
25	58	209	30	73	64	137	110	161	65	25	77	83	122	33	72
32	68	209	36	73	64	137	123	161	71	25	77	83	122	33	79
40	84	220	44	84	64	137	146	161	85	45	77	83	122	33	94
50	97	220	51	84	64	137	157	161	89	45	77	83	122	33	95
63	124	243	64	106	64	137	183	161	101	45	77	83	122	33	107





Ball valve type 107 PVC-U 24V With manual emergency override With solvent cement spigots metric

Model:

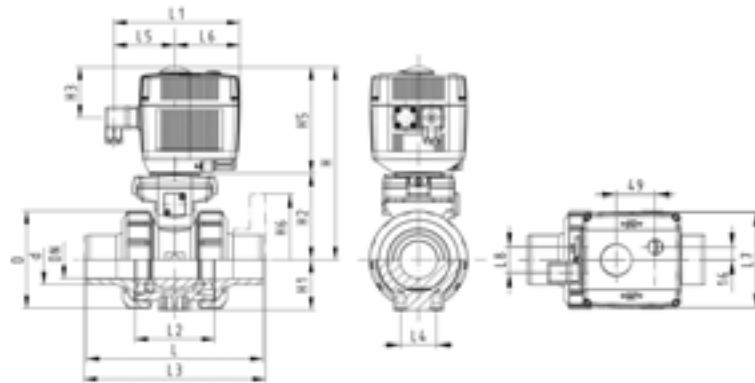
- Built on with electric actuator EA11
- For easy installation and removal
- Integrated stainless steel mounting inserts
- Voltage 24 V AC/DC
- Control range 90°<
- Control time 5 s/90°<

Option:

- Individual configuration of the valve (see form)

d [mm]	DN [mm]	PN	kv-value ($\Delta p=1$ bar) [l/min]	EPDM Code	FPM Code	kg
16	10	10	70	199 107 062	199 107 072	2.072
20	15	10	185	199 107 063	199 107 073	1.830
25	20	10	350	199 107 064	199 107 074	2.189
32	25	10	700	199 107 065	199 107 075	2.189
40	32	10	1000	199 107 066	199 107 076	2.592
50	40	10	1600	199 107 067	199 107 077	2.914
63	50	10	3100	199 107 068	199 107 078	3.772

d [mm]	D [mm]	H [mm]	H1 [mm]	H2 [mm]	H3 [mm]	H5 [mm]	L [mm]	L1 [mm]	L2 [mm]	L3 [mm]	L4 [mm]	L5 [mm]	L6 [mm]	L7 [mm]	L8 [mm]
16	50	200	27	64	64	137	114	161	56	130	25	77	83	122	33
20	50	200	27	64	64	137	124	161	56	130	25	77	83	122	33
25	58	209	30	73	64	137	144	161	65	150	25	77	83	122	33
32	68	209	36	73	64	137	154	161	71	160	25	77	83	122	33
40	84	220	44	84	64	137	174	161	85	180	45	77	83	122	33
50	97	220	51	84	64	137	194	161	89	200	45	77	83	122	33
63	124	243	64	106	64	137	224	161	101	230	45	77	83	122	33





Ball valve type 107 PVC-U 24V With manual emergency override With threaded sockets Rp

Model:

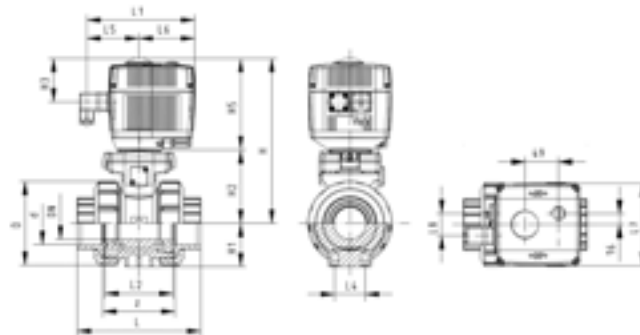
- Built on with electric actuator EA11
- For easy installation and removal
- Integrated stainless steel mounting inserts
- Voltage 24 V AC/DC
- Control range 90°<
- Control time 5 s/90°<

Option:

- Individual configuration of the valve (see form)

Rp [inch]	DN [mm]	PN	kv-value ($\Delta p=1$ bar) [l/min]	EPDM Code	FPM Code	kg	
3/8	10	10	70	199 107 662	199 107 672	2.100	
1/2	15	10	185	199 107 663	199 107 673	2.100	
3/4	20	10	350	199 107 664	199 107 674	2.200	
1	25	10	700	199 107 665	199 107 675	2.300	
1 1/4	32	10	1000	199 107 666	199 107 676	2.600	
1 1/2	40	10	1600	199 107 667	199 107 677	3.000	
2	50	10	3100	199 107 668	199 107 678	3.800	

Rp [inch]	D [mm]	H [mm]	H1 [mm]	H2 [mm]	H3 [mm]	H5 [mm]	L [mm]	L1 [mm]	L2 [mm]	L4 [mm]	L5 [mm]	L6 [mm]	L7 [mm]	L8 [mm]	z [mm]
3/8	50	200	27	64	64	137	92	161	56	25	77	83	122	33	64
1/2	50	200	27	64	64	137	95	161	56	25	77	83	122	33	64
3/4	58	209	30	73	64	137	110	161	65	25	77	83	122	33	72
1	68	209	36	73	64	137	123	161	71	25	77	83	122	33	79
1 1/4	84	220	44	84	64	137	146	161	85	45	77	83	122	33	94
1 1/2	97	220	51	84	64	137	157	161	89	45	77	83	122	33	95
2	124	243	64	106	64	137	183	161	101	45	77	83	122	33	107





Ball valve type 107 PVC-U 24V With manual emergency override With fixed flanges serrated metric

Model:

- Built on with electric actuator EA11
- For easy installation and removal
- Integrated stainless steel mounting inserts
- Voltage 24 V AC/DC
- Control range 90°<
- Control time 5 s/90°<
- Overall length according to EN 558
- Connecting dimensions: ISO 7005 / EN 1092 / DIN 2501 PN10 / BS4504

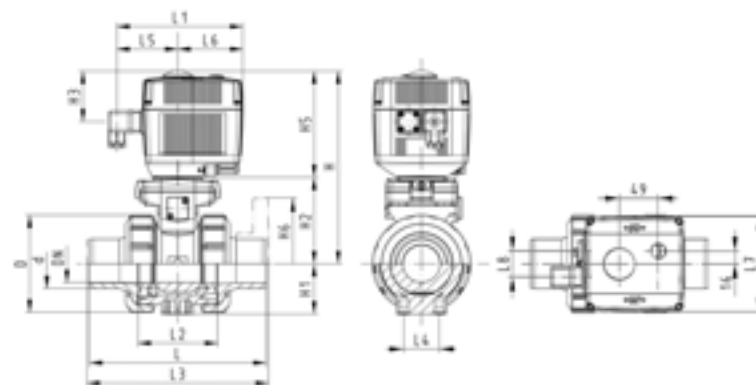
Option:

- Individual configuration of the valve (see form)

d [mm]	DN [mm]	Inch	PN	kv-value ($\Delta p=1$ bar) [l/min]	EPDM Code	FPM Code	kg
20	15	½	10	185	199 107 643	199 107 653	2.300
25	20	¾	10	350	199 107 644	199 107 654	2.500
32	25	1	10	700	199 107 645	199 107 655	2.700
40	32	1 ¼	10	1000	199 107 646	199 107 656	3.200
50	40	1 ½	10	1600	199 107 647	199 107 657	3.700
63	50	2	10	3100	199 107 648	199 107 658	4.800

d [mm]	D [mm]	H [mm]	H1 [mm]	H2 [mm]	H3 [mm]	H5 [mm]	H6 [mm]	L [mm]	L1 [mm]	L2 [mm]	L3 [mm]	L4 [mm]	L5 [mm]	L6 [mm]	L7 [mm]
20	50	201	27	64	65	138	48	124	160	56	130	25	77	83	122
25	58	210	30	73	65	138	53	144	160	65	150	25	77	83	122
32	68	210	36	73	65	138	58	154	160	71	160	25	77	83	122
40	84	221	44	84	65	138	70	174	160	85	180	45	77	83	122
50	97	221	51	84	65	138	75	194	160	89	200	45	77	83	122
63	124	244	64	106	65	138	83	224	160	101	230	45	77	83	122

d [mm]	L8 [mm]
20	33
25	33
32	33
40	33
50	33
63	33








Ball valve type 130 PVC-U 100-230V With manual emergency override With solvent cement sockets metric




Model:

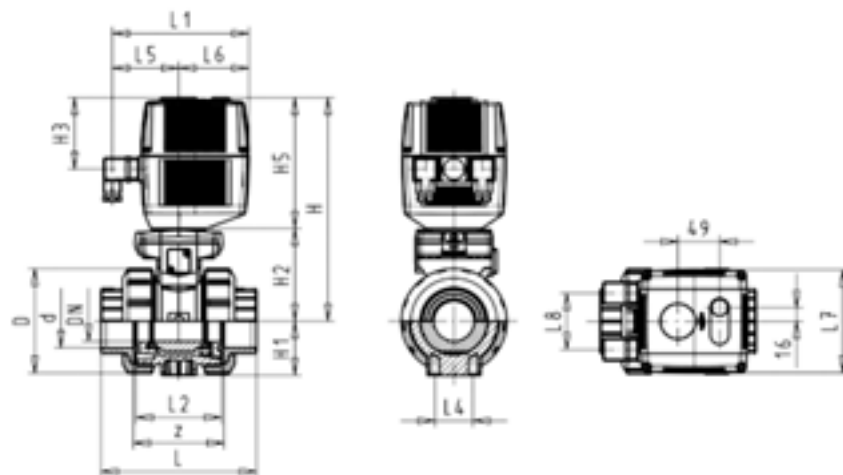
- Integrated stainless steel mounting inserts
- Voltage 100-230 V, 50-60 Hz
- Control range 90°<
- Assignment of actuators: EA21 (DN10/15-50), EA31 (DN65-100 if available)
- Image and drawing DN65-100 please see **"New product ball valve DN65-100"**
- Control time: EA21: 5s/90°<, EA31: 15s/90°<

Option:

- Individual configuration of the valve (see form)

d [mm]	DN [mm]	PN	kv-value ($\Delta p=1$ bar) [l/min]	EPDM Code	FPM Code	kg	
16	10	10	70	199 130 002	199 130 012	2.100	
20	15	10	185	199 130 003	199 130 013	2.100	
25	20	10	350	199 130 004	199 130 014	2.200	
32	25	10	700	199 130 005	199 130 015	2.300	
40	32	10	1000	199 130 006	199 130 016	2.600	
50	40	10	1600	199 130 007	199 130 017	3.000	
63	50	10	3100	199 130 008	199 130 018	3.800	
 75	65	10	5000	199 130 009	199 130 019	3.900	
 90	80	10	7000	199 130 010	199 130 020	4.800	
 110	100	10	11000	199 130 011	199 130 021	6.300	

d [mm]	D [mm]	H [mm]	H1 [mm]	H2 [mm]	H3 [mm]	H5 [mm]	L [mm]	L1 [mm]	L2 [mm]	L4 [mm]	L5 [mm]	L6 [mm]	L7 [mm]	z [mm]
16	50	231	27	64	94	167	92	180	56	25	97	83	122	64
20	50	231	27	64	94	167	95	180	56	25	97	83	122	64
25	58	240	30	73	94	167	110	180	65	25	97	83	122	72
32	68	240	36	73	94	167	123	180	71	25	97	83	122	79
40	84	251	44	84	94	167	146	180	85	45	97	83	122	94
50	97	251	51	84	94	167	157	180	89	45	97	83	122	95
63	124	273	64	106	94	167	183	180	101	45	97	83	122	107
 75	166	346	85	156	94	190	233	180	136	70	98	83	122	144
 90	200	358	105	168	94	190	254	180	141	70	98	83	122	151
 110	238	365	123	175	94	190	301	180	164	120	98	83	122	174





Ball valve type 130 PVC-U 100-230V With manual emergency override With threaded sockets Rp

Model:

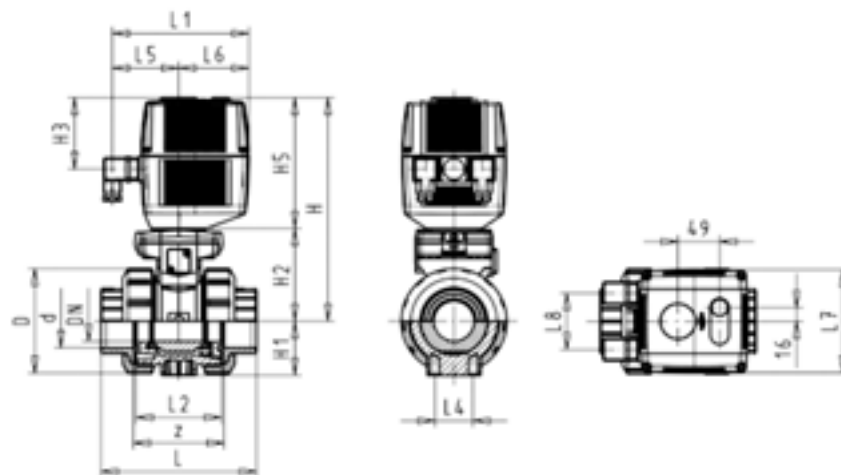
- Integrated stainless steel mounting inserts
- Voltage 100-230 V, 50-60 Hz
- Control range 90°<
- Assignment of actuators: EA21 (DN10/15-50), EA31 (DN65-100 if available)
- Image and drawing DN65-100 please see **"New product ball valve DN65-100"**
- Control time: EA21: 5s/90°<, EA31: 15s/90°<

Option:

- Individual configuration of the valve (see form)

Rp [inch]	DN [mm]	PN	kv-value ($\Delta p=1$ bar) [l/min]	EPDM Code	FPM Code	kg	
3/8	10	10	70	199 130 122	199 130 132	2.100	
1/2	15	10	185	199 130 123	199 130 133	2.100	
3/4	20	10	350	199 130 124	199 130 134	2.200	
1	25	10	700	199 130 125	199 130 135	2.300	
1 1/4	32	10	1000	199 130 126	199 130 136	2.600	
1 1/2	40	10	1600	199 130 127	199 130 137	3.000	
2	50	10	3100	199 130 128	199 130 138	3.800	
2 1/2	65	10	5000	199 130 129	199 130 139	3.900	
3	80	10	7000	199 130 130	199 130 140	4.900	
4	100	10	11000	199 130 131	199 130 141	6.300	

Rp [inch]	D [mm]	H [mm]	H1 [mm]	H2 [mm]	H3 [mm]	H5 [mm]	L [mm]	L1 [mm]	L2 [mm]	L4 [mm]	L5 [mm]	L6 [mm]	L7 [mm]	z [mm]
3/8	50	231	27	64	94	167	92	180	56	25	97	83	122	64
1/2	50	231	27	64	94	167	95	180	56	25	97	83	122	64
3/4	58	240	30	73	94	167	110	180	65	25	97	83	122	72
1	68	240	36	73	94	167	123	180	71	25	97	83	122	79
1 1/4	84	251	44	84	94	167	146	180	85	45	97	83	122	94
1 1/2	97	251	51	84	94	167	157	180	89	45	97	83	122	95
2	124	273	64	106	94	167	183	180	101	45	97	83	122	107
2 1/2	166	346	85	156	94	190	233	180	136	70	98	83	122	144
3	200	358	105	168	94	190	254	180	141	70	98	83	122	151
4	238	365	123	175	94	190	301	180	164	120	98	83	122	174








Ball valve type 130 PVC-U 100-230V With manual emergency override With solvent cement spigots metric




Model:

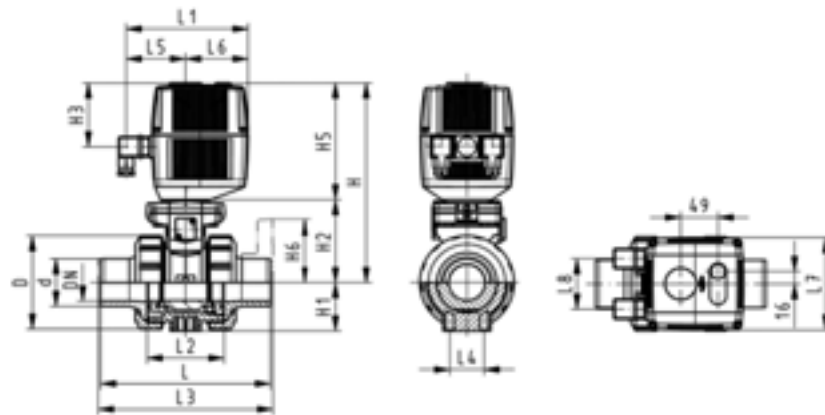
- Integrated stainless steel mounting inserts
- Voltage 100-230 V, 50-60 Hz
- Control range 90°<
- Assignment of actuators: EA21 (DN10/15-50), EA31 (DN65-100 if available)
- Image and drawing DN65-100 please see **"New product ball valve DN65-100"**
- Control time: EA21: 5s/90°<, EA31: 15s/90°<

Option:

- Individual configuration of the valve (see form)

d [mm]	DN [mm]	PN	kv-value ($\Delta p=1$ bar) [l/min]	EPDM Code	FPM Code	kg	
16	10	10	70	199 130 022	199 130 032	2.100	
20	15	10	185	199 130 023	199 130 033	2.100	
25	20	10	350	199 130 024	199 130 034	2.200	
32	25	10	700	199 130 025	199 130 035	2.300	
40	32	10	1000	199 130 026	199 130 036	2.600	
50	40	10	1600	199 130 027	199 130 037	3.000	
63	50	10	3100	199 130 028	199 130 038	3.800	
 75	65	10	5000	199 130 029	199 130 039	4.000	
 90	80	10	7000	199 130 030	199 130 040	5.000	
 110	100	10	11000	199 130 031	199 130 041	6.500	

d [mm]	D [mm]	H [mm]	H1 [mm]	H2 [mm]	H3 [mm]	H5 [mm]	L [mm]	L1 [mm]	L2 [mm]	L3 [mm]	L4 [mm]	L5 [mm]	L6 [mm]	L7 [mm]
16	50	231	27	64	94	167	114	180	56	130	25	97	83	122
20	50	231	27	64	94	167	124	180	56	130	25	97	83	122
25	58	240	30	73	94	167	144	180	65	150	25	97	83	122
32	68	240	36	73	94	167	154	180	71	160	25	97	83	122
40	84	251	44	84	94	167	174	180	85	180	45	97	83	122
50	97	251	51	84	94	167	194	180	89	200	45	97	83	122
63	124	273	64	106	94	167	224	180	101	230	45	97	83	122
 75	166	346	85	156	94	190	284	180	136	290	70	98	83	122
 90	200	358	105	168	94	190	300	180	141	310	70	98	83	122
 110	238	365	123	175	94	190	340	180	164	350	120	98	83	122





Ball valve type 130 PVC-U 100-230V With manual emergency override With fixed flanges serrated metric

Model:

- Integrated stainless steel mounting inserts
- Voltage 100-230 V, 50-60 Hz
- Control range 90°<
- Built on with electric actuator EA21
- Control time 5 s/90°<
- Overall length according to EN 558
- Connecting dimensions: ISO 7005 / EN 1092 / DIN 2501 PN10 / BS4504

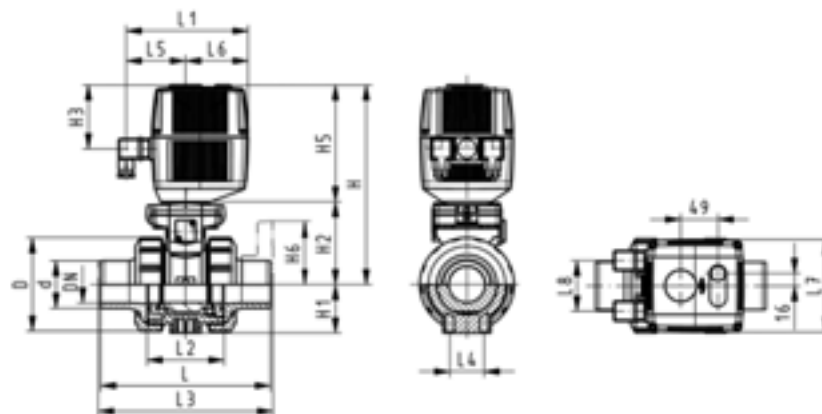
Option:

- Individual configuration of the valve (see form)

d [mm]	DN [mm]	Inch	PN	kv-value ($\Delta p=1$ bar) [l/min]	EPDM Code	FPM Code	kg
20	15	½	10	185	199 130 103	199 130 113	2.300
25	20	¾	10	350	199 130 104	199 130 114	2.500
32	25	1	10	700	199 130 105	199 130 115	2.700
40	32	1 ¼	10	1000	199 130 106	199 130 116	3.200
50	40	1 ½	10	1600	199 130 107	199 130 117	3.700
63	50	2	10	3100	199 130 108	199 130 118	4.800

d [mm]	D [mm]	H [mm]	H1 [mm]	H2 [mm]	H3 [mm]	H5 [mm]	H6 [mm]	L [mm]	L1 [mm]	L2 [mm]	L3 [mm]	L4 [mm]	L5 [mm]	L6 [mm]	L7 [mm]
20	50	231	27	64	94	167	48	124	180	56	130	25	98	83	122
25	58	240	30	73	94	167	53	144	180	65	150	25	97	83	122
32	68	240	36	73	94	167	58	154	180	71	160	25	97	83	122
40	84	251	44	84	94	167	70	174	180	85	180	45	97	83	122
50	97	251	51	84	94	167	75	194	180	89	200	45	98	83	122
63	124	273	64	106	94	167	83	224	180	101	230	45	97	83	122

d [mm]	L8 [mm]
20	66
25	66
32	66
40	66
50	66
63	66








Ball valve type 130 PVC-U 24V With manual emergency override With solvent cement sockets metric




Model:

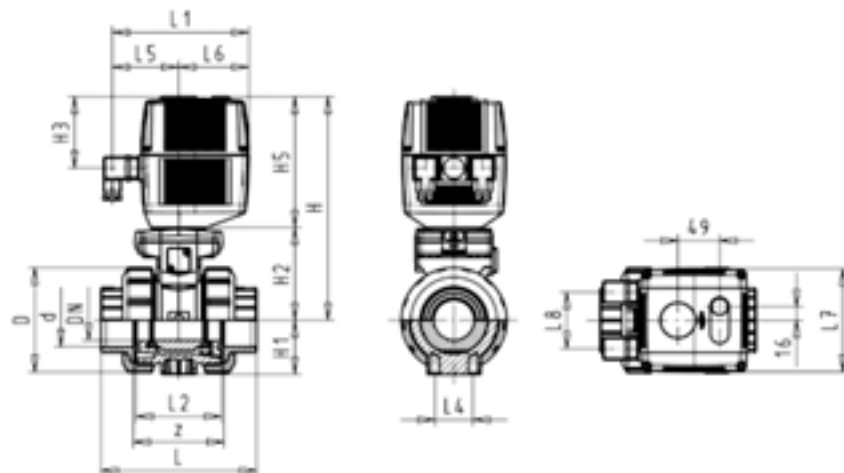
- For easy installation and removal
- Integrated stainless steel mounting inserts
- Voltage 24 V AC/DC
- Control range 90°<
- Assignment of actuators: EA21 (DN10/15-50), EA31 (DN65-100 if available)
- Image and drawing DN65-100 please see **"New product ball valve DN65-100"**
- Control time: EA21: 5s/90°<, EA31: 15s/90°<

Option:

- Individual configuration of the valve (see form)

d [mm]	DN [mm]	PN	kv-value ($\Delta p=1$ bar) [l/min]	EPDM Code	FPM Code	kg
16	10	10	70	199 130 042	199 130 052	2.100
20	15	10	185	199 130 043	199 130 053	2.100
25	20	10	350	199 130 044	199 130 054	2.200
32	25	10	700	199 130 045	199 130 055	2.300
40	32	10	1000	199 130 046	199 130 056	2.600
50	40	10	1600	199 130 047	199 130 057	3.000
63	50	10	3100	199 130 048	199 130 058	3.800
 75	65	10	5000	199 130 049	199 130 059	3.900
 90	80	10	7000	199 130 050	199 130 060	4.800
 110	100	10	11000	199 130 051	199 130 061	6.300

d [mm]	D [mm]	H [mm]	H1 [mm]	H2 [mm]	H3 [mm]	H5 [mm]	L [mm]	L1 [mm]	L2 [mm]	L4 [mm]	L5 [mm]	L6 [mm]	L7 [mm]	z [mm]
16	50	231	27	64	94	167	92	180	56	25	97	83	122	64
20	50	231	27	64	94	167	95	180	56	25	97	83	122	64
25	58	240	30	73	94	167	110	180	65	25	97	83	122	72
32	68	240	36	73	94	167	123	180	71	25	97	83	122	79
40	84	251	44	84	94	167	146	180	85	45	97	83	122	94
50	97	251	51	84	94	167	157	180	89	45	97	83	122	95
63	124	273	64	106	94	167	183	180	101	45	97	83	122	107
 75	166	347	85	156	94	190	233	180	136	70	98	83	122	144
 90	200	358	105	168	94	190	254	180	141	70	98	83	122	151
 110	238	365	123	175	94	190	301	180	164	120	98	83	122	174





Ball valve type 130 PVC-U 24V With manual emergency override With threaded sockets Rp

Model:

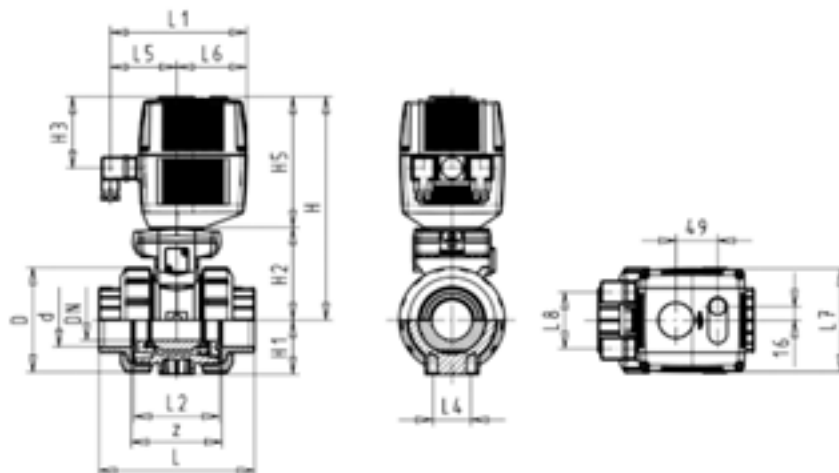
- For easy installation and removal
- Integrated stainless steel mounting inserts
- Voltage 24 V AC/DC
- Control range 90°<
- Assignment of actuators: EA21 (DN10/15-50), EA31 (DN65-100 if available)
- Image and drawing DN65-100 please see "**New product ball valve DN65-100**"
- Control time: EA21: 5s/90°<, EA31: 15s/90°<

Option:

- Individual configuration of the valve (see form)

Rp [inch]	DN [mm]	PN	kv-value ($\Delta p=1$ bar) [l/min]	EPDM Code	FPM Code	kg
3/8	10	10	70	199 130 162	199 130 172	2.100
1/2	15	10	185	199 130 163	199 130 173	2.100
3/4	20	10	350	199 130 164	199 130 174	2.200
1	25	10	700	199 130 165	199 130 175	2.300
1 1/4	32	10	1000	199 130 166	199 130 176	2.600
1 1/2	40	10	1600	199 130 167	199 130 177	3.000
2	50	10	3100	199 130 168	199 130 178	3.800
2 1/2	65	10	5000	199 130 169	199 130 179	3.900
3	80	10	7000	199 130 170	199 130 180	4.900
4	100	10	11000	199 130 171	199 130 181	6.300

Rp [inch]	D [mm]	H [mm]	H1 [mm]	H2 [mm]	H3 [mm]	H5 [mm]	L [mm]	L1 [mm]	L2 [mm]	L4 [mm]	L5 [mm]	L6 [mm]	L7 [mm]	z [mm]
3/8	50	231	27	64	94	167	92	180	56	25	97	83	122	64
1/2	50	231	27	64	94	167	95	180	56	25	97	83	122	64
3/4	58	240	30	73	94	167	110	180	65	25	97	83	122	72
1	68	240	36	73	94	167	123	180	71	25	97	83	122	79
1 1/4	84	251	44	84	94	167	146	180	85	45	97	83	122	94
1 1/2	97	251	51	84	94	167	157	180	89	45	97	83	122	95
2	124	273	64	106	94	167	183	180	101	45	97	83	122	107
2 1/2	166	346	85	156	94	190	233	180	136	70	98	83	122	144
3	200	358	105	168	94	190	254	180	141	70	98	83	122	151
4	238	365	123	175	94	190	301	180	164	120	98	83	122	174







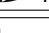
Ball valve type 130 PVC-U 24V With manual emergency override With solvent cement spigots metric



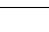
Model:

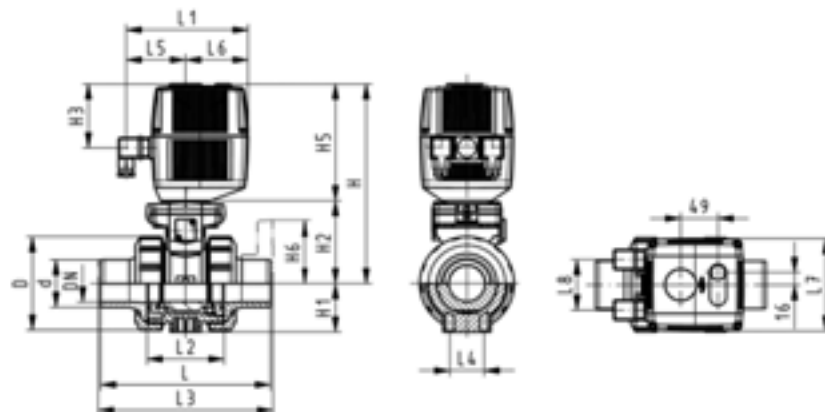
- For easy installation and removal
- Integrated stainless steel mounting inserts
- Voltage 24 V AC/DC
- Control range 90°<
- Assignment of actuators: EA21 (DN10/15-50), EA31 (DN65-100 if available)
- Image and drawing DN65-100 please see **"New product ball valve DN65-100"**
- Control time: EA21: 5s/90°<, EA31: 15s/90°<

Option:

- Individual configuration of the valve (see form)

d [mm]	DN [mm]	PN	kv-value ($\Delta p=1$ bar) [l/min]	EPDM Code	FPM Code	kg
16	10	10	70	199 130 062	199 130 072	2.100
20	15	10	185	199 130 063	199 130 073	2.100
25	20	10	350	199 130 064	199 130 074	2.200
32	25	10	700	199 130 065	199 130 075	2.300
40	32	10	1000	199 130 066	199 130 076	2.600
50	40	10	1600	199 130 067	199 130 077	3.000
63	50	10	3100	199 130 068	199 130 078	3.800
 75	65	10	5000	199 130 069	199 130 079	4.000
 90	80	10	7000	199 130 070	199 130 080	5.000
 110	100	10	11000	199 130 071	199 130 081	6.500

d [mm]	D [mm]	H [mm]	H1 [mm]	H2 [mm]	H3 [mm]	H5 [mm]	L [mm]	L1 [mm]	L2 [mm]	L3 [mm]	L4 [mm]	L5 [mm]	L6 [mm]	L7 [mm]
16	50	231	27	64	94	167	114	180	56	130	25	97	83	122
20	50	231	27	64	94	167	124	180	56	130	25	97	83	122
25	58	240	30	73	94	167	144	180	65	150	25	97	83	122
32	68	240	36	73	94	167	154	180	71	160	25	97	83	122
40	84	251	44	84	94	167	174	180	85	180	45	97	83	122
50	97	251	51	84	94	167	194	180	89	200	45	97	83	122
63	124	273	64	106	94	167	224	180	101	230	45	97	83	122
 75	166	346	85	156	94	190	284	180	136	290	70	98	83	122
 90	200	358	105	168	94	190	300	180	141	310	70	98	83	122
 110	238	365	123	175	94	190	340	180	164	350	120	98	83	122





Ball valve type 130 PVC-U 24V With manual emergency override With fixed flanges serrated metric

Model:

- For easy installation and removal
- Integrated stainless steel mounting inserts
- Voltage 24 V AC/DC
- Control range 90°<
- Built on with electric actuator EA21
- Control time 5 s/90°<
- Overall length according to EN 558
- Connecting dimensions: ISO 7005 / EN 1092 / DIN 2501 PN10 / BS4504

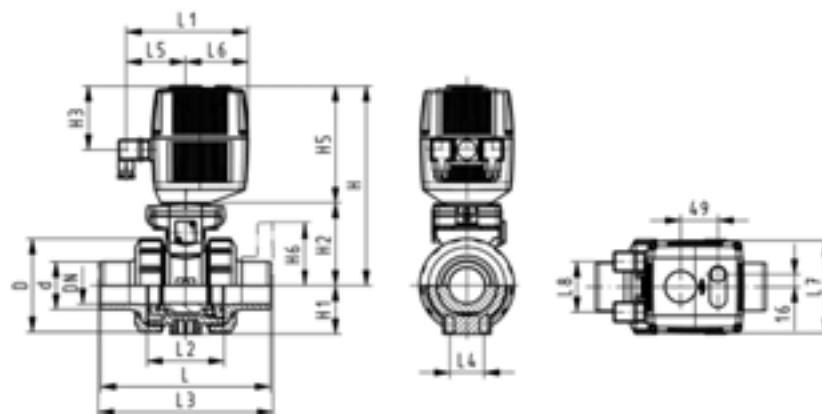
Option:

- Individual configuration of the valve (see form)

d [mm]	DN [mm]	Inch	PN	kv-value ($\Delta p=1$ bar) [l/min]	EPDM Code	FPM Code	kg								
20	15	½	10	185	199 130 143	199 130 153	2.300								
25	20	¾	10	350	199 130 144	199 130 154	2.500								
32	25	1	10	700	199 130 145	199 130 155	2.700								
40	32	1 ¼	10	1000	199 130 146	199 130 156	3.200								
50	40	1 ½	10	1600	199 130 147	199 130 157	3.700								
63	50	2	10	3100	199 130 148	199 130 158	4.800								

d [mm]	D [mm]	H [mm]	H1 [mm]	H2 [mm]	H3 [mm]	H5 [mm]	H6 [mm]	L [mm]	L1 [mm]	L2 [mm]	L3 [mm]	L4 [mm]	L5 [mm]	L6 [mm]	L7 [mm]
20	50	231	27	64	94	167	48	124	180	56	130	25	97	83	122
25	58	240	30	73	94	167	53	144	180	65	150	25	97	83	122
32	68	240	36	73	94	167	58	154	180	71	160	25	97	83	122
40	84	251	44	84	94	167	70	174	180	85	180	45	97	83	122
50	97	251	51	84	94	167	75	194	180	89	200	45	97	83	122
63	124	273	64	106	94	167	83	224	180	101	230	45	97	83	122

d [mm]	L8 [mm]
20	66
25	66
32	66
40	66
50	66
63	66





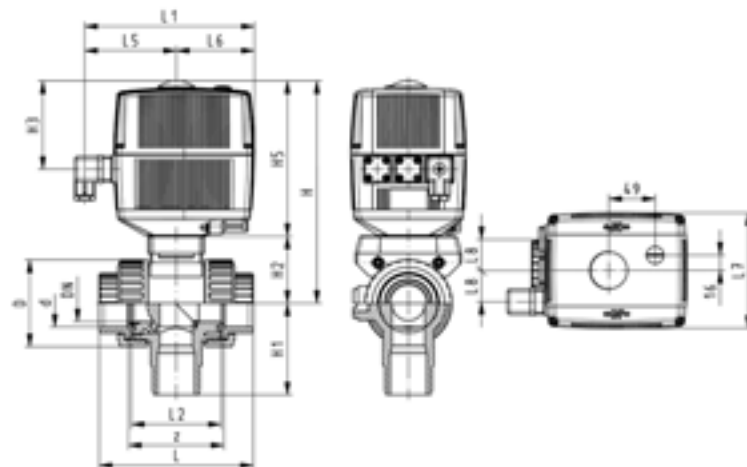
3-Way ball valve type 178 PVC-U
Vertical/L-port 100-230V
With manual emergency override
With solvent cement sockets metric

Model:

- Built on with electric actuator EA21
- Vertical inlet solvent cement spigot
- Easy installation and removal using union on third outlet
- Voltage 100-230 V, 50-60 Hz
- Control range 90°<
- Control time 5 s/90°<

d [mm]	DN [mm]	PN	kv-value ($\Delta p=1$ bar) [l/min]	EPDM Code	FPM Code	kg
16	10	10	50	199 178 242	199 178 252	2.317
20	15	10	75	199 178 243	199 178 253	2.317
25	20	10	150	199 178 244	199 178 254	2.449
32	25	10	280	199 178 245	199 178 255	2.579
40	32	10	480	199 178 246	199 178 256	2.857
50	40	10	620	199 178 247	199 178 257	3.060
63	50	10	1230	199 178 248	199 178 258	3.900

d [mm]	D [mm]	H [mm]	H1 [mm]	H2 [mm]	H3 [mm]	H5 [mm]	L [mm]	L1 [mm]	L2 [mm]	L5 [mm]	L6 [mm]	L7 [mm]	L8 [mm]	z [mm]
16	45	206	57	40	93	166	99	182	63	99	83	122	33	71
20	45	206	62	40	93	166	102	182	63	99	83	122	33	71
25	53	211	72	45	93	166	120	182	75	99	83	122	33	82
32	64	216	77	50	93	166	131	182	79	99	83	122	33	87
40	78	224	87	58	93	166	150	182	89	99	83	122	33	98
50	92	235	97	69	93	166	163	182	95	99	83	122	33	101
63	116	247	112	81	93	166	197	182	115	99	83	122	33	121





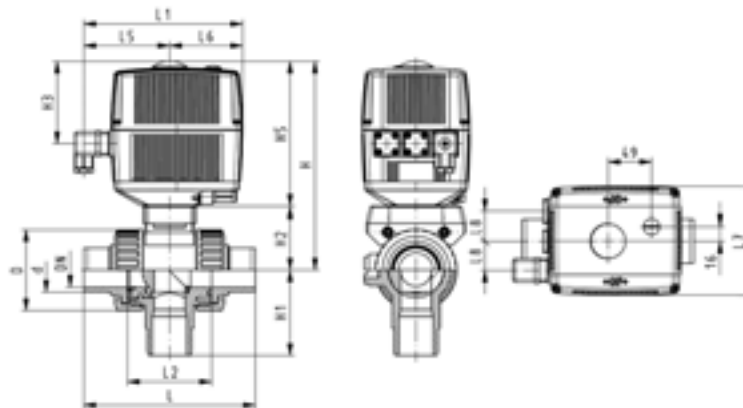
3-Way ball valve type 178 PVC-U
Vertical/L-port 100-230V
With manual emergency override
With solvent cement spigots metric

Model:

- Built on with electric actuator EA21
- Vertical inlet solvent cement spigot
- Easy installation and removal using union on third outlet
- Voltage 100-230 V, 50-60 Hz
- Control range 90°<
- Control time 5 s/90°<

d [mm]	DN [mm]	PN	kv-value ($\Delta p=1$ bar) [l/min]	EPDM Code	FPM Code	kg
16	10	10	50	199 178 062	199 178 072	2.320
20	15	10	75	199 178 063	199 178 073	2.320
25	20	10	150	199 178 064	199 178 074	2.454
32	25	10	280	199 178 065	199 178 075	2.591
40	32	10	480	199 178 066	199 178 076	2.875
50	40	10	620	199 178 067	199 178 077	3.105
63	50	10	1230	199 178 068	199 178 078	3.946

d [mm]	D [mm]	H [mm]	H1 [mm]	H2 [mm]	H3 [mm]	H5 [mm]	L [mm]	L1 [mm]	L2 [mm]	L5 [mm]	L6 [mm]	L7 [mm]	L8 [mm]
16	43	206	57	40	93	166	99	182	63	99	83	122	33
20	43	206	62	40	93	166	102	182	63	99	83	122	33
25	53	211	72	45	93	166	120	182	75	99	83	122	33
32	64	216	77	50	93	166	131	182	79	99	83	122	33
40	78	224	87	58	93	166	150	182	89	99	83	122	33
50	92	235	97	69	93	166	163	182	95	99	83	122	33
63	116	247	112	81	93	166	197	182	115	99	83	122	33





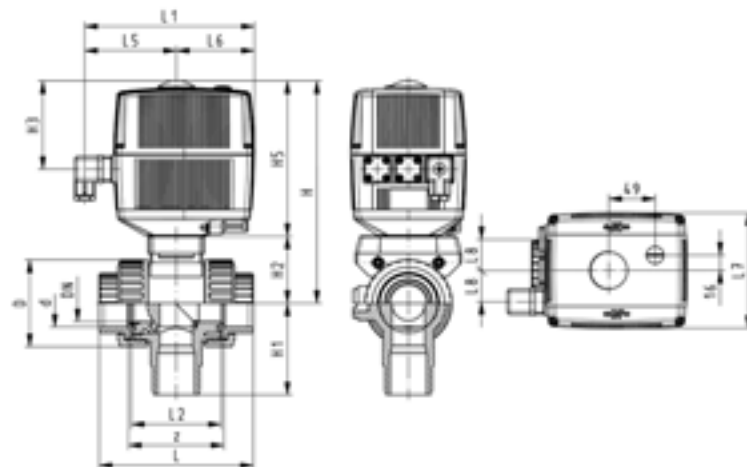
3-Way ball valve type 178 PVC-U Vertical/L-port 24V With manual emergency override With solvent cement sockets metric

Model:

- Built on with electric actuator EA21
- Vertical inlet solvent cement spigot
- Easy installation and removal using union on third outlet
- Voltage 24 V AC/DC
- Control range 90°<
- Control time 5 s/90°<

d [mm]	DN [mm]	PN	kv-value ($\Delta p=1$ bar) [l/min]	EPDM Code	FPM Code	kg
16	10	10	50	199 178 262	199 178 272	2.317
20	15	10	75	199 178 263	199 178 273	2.317
25	20	10	150	199 178 264	199 178 274	2.449
32	25	10	280	199 178 265	199 178 275	2.579
40	32	10	480	199 178 266	199 178 276	2.857
50	40	10	620	199 178 267	199 178 277	3.060
63	50	10	1230	199 178 268	199 178 278	3.900

d [mm]	D [mm]	H [mm]	H1 [mm]	H2 [mm]	H3 [mm]	H5 [mm]	L [mm]	L1 [mm]	L2 [mm]	L5 [mm]	L6 [mm]	L7 [mm]	L8 [mm]	z [mm]
16	45	206	57	40	93	166	99	182	63	99	83	122	33	71
20	45	206	62	40	93	166	102	182	63	99	83	122	33	71
25	53	211	72	45	93	166	120	182	75	99	83	122	33	82
32	64	216	77	50	93	166	131	182	79	99	83	122	33	87
40	78	224	87	58	93	166	150	182	89	99	83	122	33	98
50	92	235	97	69	93	166	163	182	95	99	83	122	33	101
63	116	247	112	81	93	166	197	182	115	99	83	122	33	121





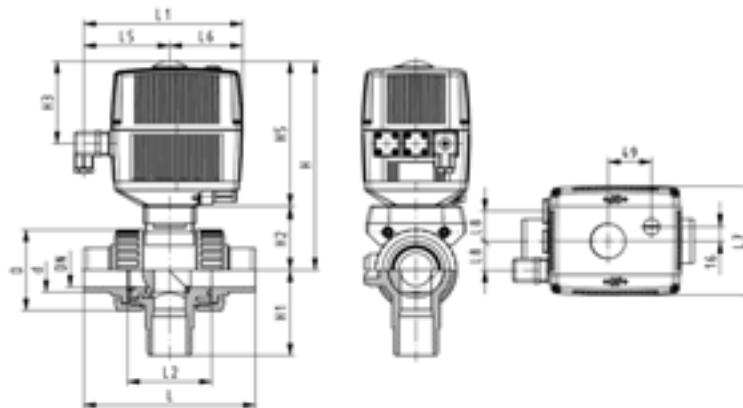
3-Way ball valve type 178 PVC-U
Vertical/L-port 24V
With manual emergency override
With solvent cement spigots metric

Model:

- Built on with electric actuator EA21
- Vertical inlet solvent cement spigot
- Easy installation and removal using union on third outlet
- Voltage 24 V AC/DC
- Control range 90°<
- Control time 5 s/90°<

d [mm]	DN [mm]	PN	kv-value ($\Delta p=1$ bar) [l/min]	EPDM Code	FPM Code	kg
16	10	10	50	199 178 102	199 178 112	2.320
20	15	10	75	199 178 103	199 178 113	2.320
25	20	10	150	199 178 104	199 178 114	2.454
32	25	10	280	199 178 105	199 178 115	2.591
40	32	10	480	199 178 106	199 178 116	2.875
50	40	10	620	199 178 107	199 178 117	3.105
63	50	10	1230	199 178 108	199 178 118	3.946

d [mm]	D [mm]	H [mm]	H1 [mm]	H2 [mm]	H3 [mm]	H5 [mm]	L [mm]	L1 [mm]	L2 [mm]	L5 [mm]	L6 [mm]	L7 [mm]	L8 [mm]
16	43	206	57	40	93	166	99	182	63	99	83	122	33
20	43	206	62	40	93	166	102	182	63	99	83	122	33
25	53	211	72	45	93	166	120	182	75	99	83	122	33
32	64	216	77	50	93	166	131	182	79	99	83	122	33
40	78	224	87	58	93	166	150	182	89	99	83	122	33
50	92	235	97	69	93	166	163	182	95	99	83	122	33
63	116	247	112	81	93	166	197	182	115	99	83	122	33





3-Way ball valve type 175 PVC-U Horizontal/L-port 100-230V With manual emergency override With solvent cement sockets metric

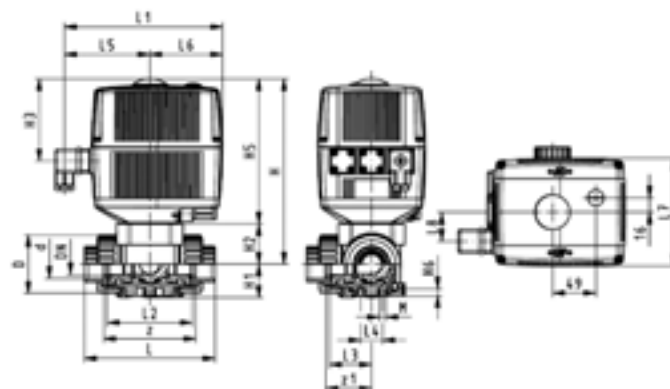
Model:

- Assignment of actuators: EA21 (DN10/15-50), EA31 (DN65-100 if available)
- For easy installation and removal
- Integrated stainless steel mounting inserts
- Voltage 100-230 V, 50-60 Hz
- Control range 90°<
- Control time 5 s/90°<

d [mm]	DN [mm]	PN	kv-value ($\Delta p=1$ bar) [l/min]	EPDM Code	FPM Code	kg
16	10	10	50	199 175 022	199 175 032	2.121
20	15	10	75	199 175 023	199 175 033	2.121
25	20	10	150	199 175 024	199 175 034	2.303
32	25	10	280	199 175 025	199 175 035	2.474
40	32	10	480	199 175 026	199 175 036	2.815
50	40	10	620	199 175 027	199 175 037	3.359
63	50	10	1230	199 175 028	199 175 038	4.728

d [mm]	D [mm]	H [mm]	H1 [mm]	H2 [mm]	H3 [mm]	H5 [mm]	H6 [mm]	L [mm]	L1 [mm]	L2 [mm]	L3 [mm]	L4 [mm]	L5 [mm]	L6 [mm]	L7 [mm]
16	45	197	29	31	93	166	8	108	182	72	36	25	99	83	122
20	45	197	29	31	93	166	8	111	182	72	36	25	99	83	122
25	53	205	33	39	93	166	8	131	182	86	43	25	99	83	122
32	65	210	38	44	93	166	8	148	182	96	48	25	99	83	122
40	78	216	44	50	93	166	9	176	182	116	58	45	99	83	122
50	92	229	50	63	93	166	9	206	182	137	69	45	99	83	122
63	116	242	61	76	93	166	9	262	182	179	90	45	99	83	122

d [mm]	L8 [mm]	M	z [mm]	z1 [mm]
16	33	6	80	40
20	33	6	80	40
25	33	6	94	47
32	33	6	104	52
40	33	8	126	63
50	33	8	144	72
63	33	8	186	93





3-Way ball valve type 175 PVC-U Horizontal/L-port 100-230V With manual emergency override With solvent cement spigots metric

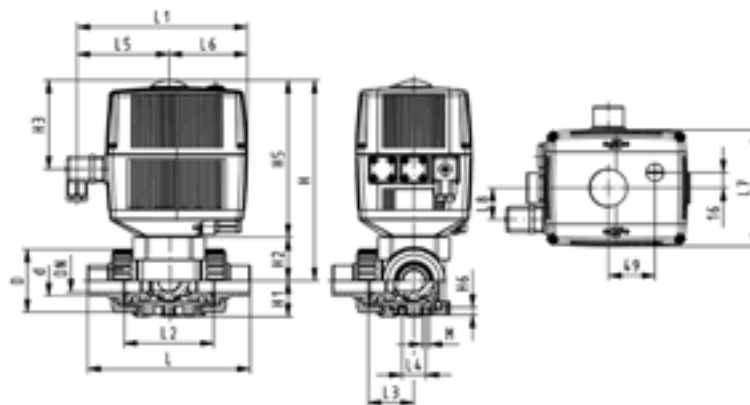
Model:

- Assignment of actuators: EA21 (DN10/15-50), EA31 (DN65-100 if available)
- For easy installation and removal
- Integrated stainless steel mounting inserts
- Voltage 100-230 V, 50-60 Hz
- Control range 90°<
- Control time 5 s/90°<

d [mm]	DN [mm]	PN	kv-value ($\Delta p=1$ bar) [l/min]	EPDM Code	FPM Code	kg
16	10	10	50	199 175 002	199 175 012	2.121
20	15	10	75	199 175 003	199 175 013	2.121
25	20	10	150	199 175 004	199 175 014	2.303
32	25	10	280	199 175 005	199 175 015	2.474
40	32	10	480	199 175 006	199 175 016	2.815
50	40	10	620	199 175 007	199 175 017	3.359
63	50	10	1230	199 175 008	199 175 018	4.728

d [mm]	D [mm]	H [mm]	H1 [mm]	H2 [mm]	H3 [mm]	H5 [mm]	H6 [mm]	L [mm]	L1 [mm]	L2 [mm]	L3 [mm]	L4 [mm]	L5 [mm]	L6 [mm]	L7 [mm]
16	45	197	29	31	93	166	8	124	182	72	36	25	99	83	122
20	45	197	29	31	93	166	8	134	182	72	36	25	99	83	122
25	53	205	33	39	93	166	8	156	182	86	43	25	99	83	122
32	65	210	38	44	93	166	8	172	182	96	48	25	99	83	122
40	78	216	44	50	93	166	9	202	182	116	58	45	99	83	122
50	92	229	50	63	93	166	9	238	182	137	69	45	99	83	122
63	116	242	61	76	93	166	9	290	182	179	90	45	99	83	122

d [mm]	L8 [mm]	M
16	33	6
20	33	6
25	33	6
32	33	6
40	33	8
50	33	8
63	33	8





3-Way ball valve type 175 PVC-U Horizontal/T-port 100-230V With manual emergency override With solvent cement sockets metric

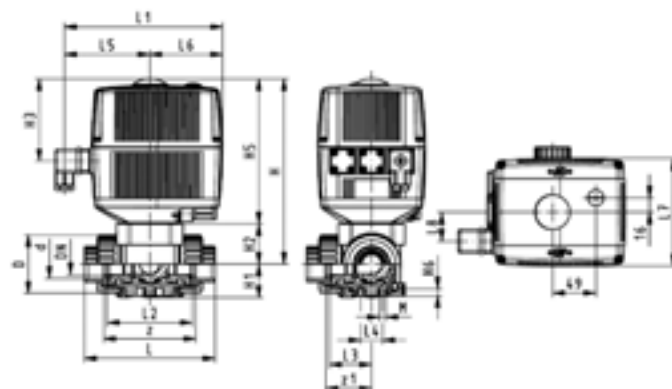
Model:

- Assignment of actuators: EA21 (DN10/15-50), EA31 (DN65-100 if available)
- For easy installation and removal
- Integrated stainless steel mounting inserts
- Voltage 100-230 V, 50-60 Hz
- Control range 90°<
- Control time 5 s/90°<

d [mm]	DN [mm]	PN	kv-value ($\Delta p=1$ bar) [l/min]	EPDM Code	FPM Code	kg
16	10	10	140	199 175 062	199 175 072	2.121
20	15	10	200	199 175 063	199 175 073	2.121
25	20	10	470	199 175 064	199 175 074	2.303
32	25	10	793	199 175 065	199 175 075	2.474
40	32	10	1290	199 175 066	199 175 076	2.815
50	40	10	1910	199 175 067	199 175 077	3.359
63	50	10	3100	199 175 068	199 175 078	4.728

d [mm]	D [mm]	H [mm]	H1 [mm]	H2 [mm]	H3 [mm]	H5 [mm]	H6 [mm]	L [mm]	L1 [mm]	L2 [mm]	L3 [mm]	L4 [mm]	L5 [mm]	L6 [mm]	L7 [mm]
16	45	197	29	31	93	166	8	108	182	72	36	25	99	83	122
20	45	197	29	31	93	166	8	111	182	72	36	25	99	83	122
25	53	205	33	39	93	166	8	131	182	86	43	25	99	83	122
32	65	210	38	44	93	166	8	148	182	96	48	25	99	83	122
40	78	216	44	50	93	166	9	176	182	116	58	45	99	83	122
50	92	229	50	63	93	166	9	206	182	137	69	45	99	83	122
63	116	242	61	76	93	166	9	262	182	179	90	45	99	83	122

d [mm]	L8 [mm]	M	z [mm]	z1 [mm]
16	33	6	80	40
20	33	6	80	40
25	33	6	94	47
32	33	6	104	52
40	33	8	126	63
50	33	8	144	72
63	33	8	186	93





3-Way ball valve type 175 PVC-U Horizontal/T-port 100-230V With manual emergency override With solvent cement spigots metric

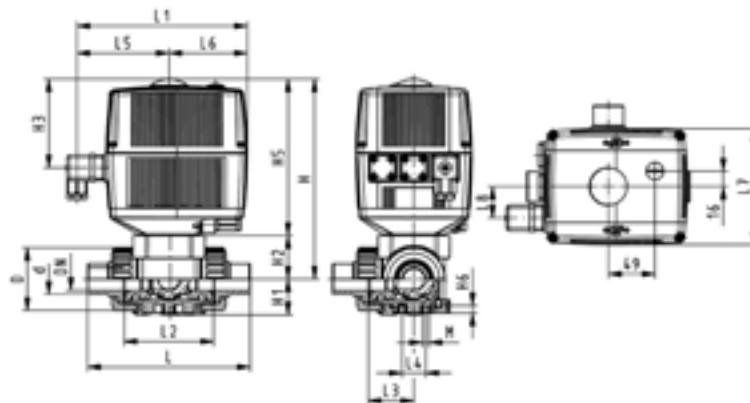
Model:

- Assignment of actuators: EA21 (DN10/15-50), EA31 (DN65-100 if available)
- For easy installation and removal
- Integrated stainless steel mounting inserts
- Voltage 100-230 V, 50-60 Hz
- Control range 90°<
- Control time 5 s/90°<

d [mm]	DN [mm]	PN	EPDM Code	FPM Code	kg
16	10	10	199 175 042	199 175 052	2.121
20	15	10	199 175 043	199 175 053	2.121
25	20	10	199 175 044	199 175 054	2.303
32	25	10	199 175 045	199 175 055	2.474
40	32	10	199 175 046	199 175 056	2.815
50	40	10	199 175 047	199 175 057	3.359
63	50	10	199 175 048	199 175 058	4.728

d [mm]	D [mm]	H [mm]	H1 [mm]	H2 [mm]	H3 [mm]	H5 [mm]	H6 [mm]	L [mm]	L1 [mm]	L2 [mm]	L3 [mm]	L4 [mm]	L5 [mm]	L6 [mm]	L7 [mm]
16	45	197	29	31	93	166	8	124	182	72	36	25	99	83	122
20	45	197	29	31	93	166	8	134	182	72	36	25	99	83	122
25	53	205	33	39	93	166	8	156	182	86	43	25	99	83	122
32	65	210	38	44	93	166	8	172	182	96	48	25	99	83	122
40	78	216	44	50	93	166	9	202	182	116	58	45	99	83	122
50	92	229	50	63	93	166	9	238	182	137	69	45	99	83	122
63	116	242	61	76	93	166	9	290	182	179	90	45	99	83	122

d [mm]	L8 [mm]	M
16	33	6
20	33	6
25	33	6
32	33	6
40	33	8
50	33	8
63	33	8





3-Way ball valve type 175 PVC-U Horizontal/L-port 24V With manual emergency override With solvent cement sockets metric

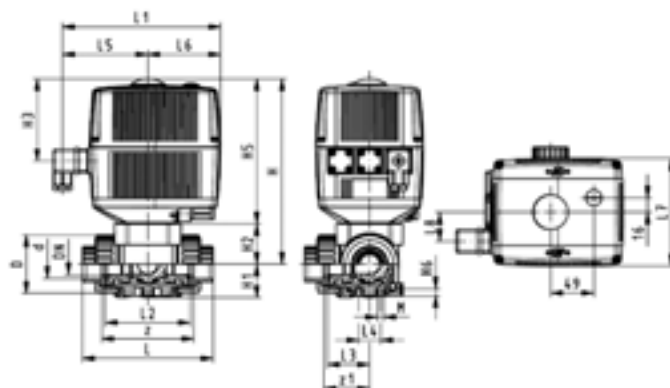
Model:

- For easy installation and removal
- Integrated stainless steel mounting inserts
- Voltage 24 V AC/DC
- Control range 90°<
- Control time 5 s/90°<

d [mm]	DN [mm]	PN	kv-value ($\Delta p=1$ bar) [l/min]	EPDM Code	FPM Code	kg
16	10	10	50	199 175 202	199 175 212	2.121
20	15	10	75	199 175 203	199 175 213	2.121
25	20	10	150	199 175 204	199 175 214	2.303
32	25	10	280	199 175 205	199 175 215	2.474
40	32	10	480	199 175 206	199 175 216	2.815
50	40	10	620	199 175 207	199 175 217	3.359
63	50	10	1230	199 175 208	199 175 218	4.728

d [mm]	D [mm]	H [mm]	H1 [mm]	H2 [mm]	H3 [mm]	H5 [mm]	H6 [mm]	L [mm]	L1 [mm]	L2 [mm]	L3 [mm]	L4 [mm]	L5 [mm]	L6 [mm]	L7 [mm]
16	45	197	29	31	93	166	8	108	182	72	36	25	99	83	122
20	45	197	29	31	93	166	8	111	182	72	36	25	99	83	122
25	53	205	33	39	93	166	8	131	182	86	43	25	99	83	122
32	65	210	38	44	93	166	8	148	182	96	48	25	99	83	122
40	78	216	44	50	93	166	9	176	182	116	58	45	99	83	122
50	92	229	50	63	93	166	9	206	182	137	69	45	99	83	122
63	116	242	61	76	93	166	9	262	182	179	90	45	99	83	122

d [mm]	L8 [mm]	M	z [mm]	z1 [mm]
16	33	6	80	40
20	33	6	80	40
25	33	6	94	47
32	33	6	104	52
40	33	8	126	63
50	33	8	144	72
63	33	8	186	93





3-Way ball valve type 175 PVC-U Horizontal/L-port 24V With manual emergency override With solvent cement spigots metric

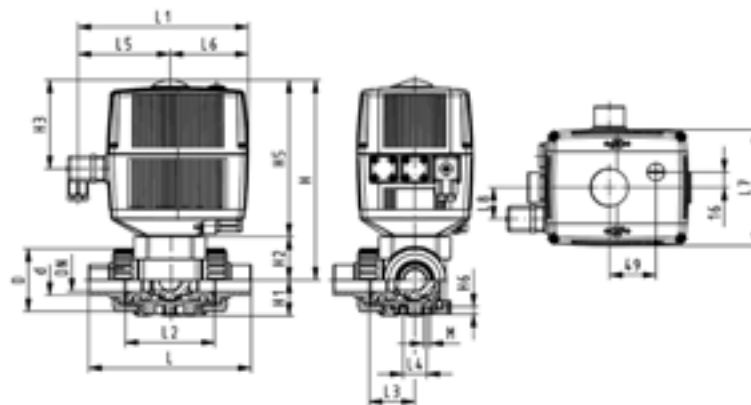
Model:

- For easy installation and removal
- Integrated stainless steel mounting inserts
- Voltage 24 V AC/DC
- Control range 90°<
- Control time 5 s/90°<

d [mm]	DN [mm]	PN	EPDM Code	FPM Code	kg
16	10	10	199 175 182	199 175 192	2.121
20	15	10	199 175 183	199 175 193	2.121
25	20	10	199 175 184	199 175 194	2.303
32	25	10	199 175 185	199 175 195	2.474
40	32	10	199 175 186	199 175 196	2.815
50	40	10	199 175 187	199 175 197	3.359
63	50	10	199 175 188	199 175 198	4.728

d [mm]	D [mm]	H [mm]	H1 [mm]	H2 [mm]	H3 [mm]	H5 [mm]	H6 [mm]	L [mm]	L1 [mm]	L2 [mm]	L3 [mm]	L4 [mm]	L5 [mm]	L6 [mm]	L7 [mm]
16	45	197	29	31	93	166	8	124	182	72	36	25	99	83	122
20	45	197	29	31	93	166	8	134	182	72	36	25	99	83	122
25	53	205	33	39	93	166	8	156	182	86	43	25	99	83	122
32	65	210	38	44	93	166	8	172	182	96	48	25	99	83	122
40	78	216	44	50	93	166	9	202	182	116	58	45	99	83	122
50	92	229	50	63	93	166	9	238	182	137	69	45	99	83	122
63	116	242	61	76	93	166	9	290	182	179	90	45	99	83	122

d [mm]	L8 [mm]	M
16	33	6
20	33	6
25	33	6
32	33	6
40	33	8
50	33	8
63	33	8





3-Way ball valve type 175 PVC-U Horizontal/T-port 24V With manual emergency override With solvent cement sockets metric

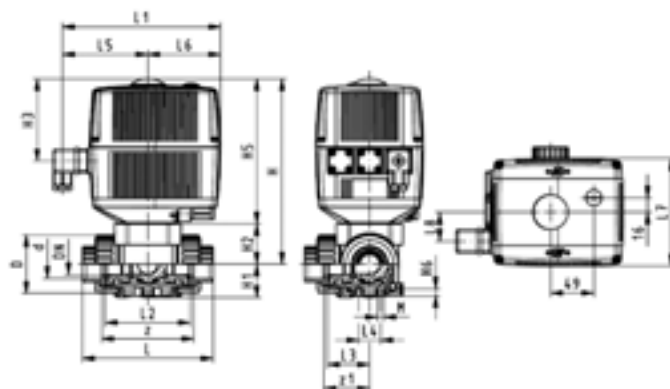
Model:

- Assignment of actuators: EA21 (DN10/15-50), EA31 (DN65-100 if available)
- For easy installation and removal
- Integrated stainless steel mounting inserts
- Voltage 24 V AC/DC
- Control range 90°<
- Control time 5 s/90°<

d [mm]	DN [mm]	PN	kv-value ($\Delta p=1$ bar) [l/min]	EPDM Code	FPM Code	kg
16	10	10	50	199 175 242	199 175 252	2.121
20	15	10	75	199 175 243	199 175 253	2.121
25	20	10	150	199 175 244	199 175 254	2.303
32	25	10	280	199 175 245	199 175 255	2.474
40	32	10	480	199 175 246	199 175 256	2.815
50	40	10	620	199 175 247	199 175 257	3.359
63	50	10	1230	199 175 248	199 175 258	4.728

d [mm]	D [mm]	H [mm]	H1 [mm]	H2 [mm]	H3 [mm]	H5 [mm]	H6 [mm]	L [mm]	L1 [mm]	L2 [mm]	L3 [mm]	L4 [mm]	L5 [mm]	L6 [mm]	L7 [mm]
16	45	197	29	31	93	166	8	108	182	72	36	25	99	83	122
20	45	197	29	31	93	166	8	111	182	72	36	25	99	83	122
25	53	205	33	39	93	166	8	131	182	86	43	25	99	83	122
32	65	210	38	44	93	166	8	148	182	96	48	25	99	83	122
40	78	216	44	50	93	166	9	176	182	116	58	45	99	83	122
50	92	229	50	63	93	166	9	206	182	137	69	45	99	83	122
63	116	242	61	76	93	166	9	262	182	179	90	45	99	83	122

d [mm]	L8 [mm]	M	z [mm]	z1 [mm]
16	33	6	80	40
20	33	6	80	40
25	33	6	94	47
32	33	6	104	52
40	33	8	126	63
50	33	8	144	72
63	33	8	186	93





3-Way ball valve type 175 PVC-U Horizontal/T-port 24V With manual emergency override With solvent cement spigots metric

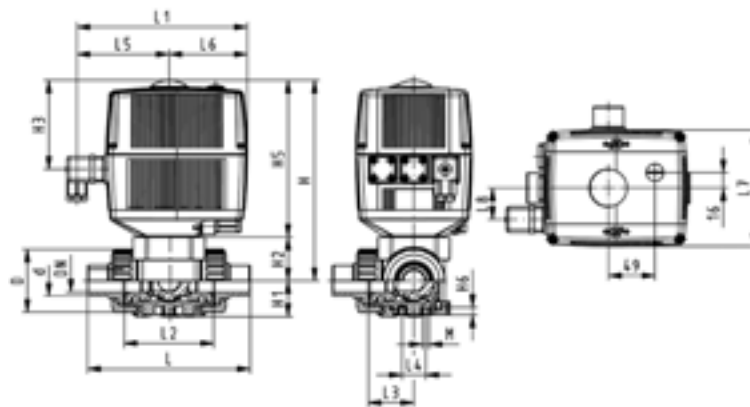
Model:

- Assignment of actuators: EA21 (DN10/15-50), EA31 (DN65-100 if available)
- For easy installation and removal
- Integrated stainless steel mounting inserts
- Voltage 24 V AC/DC
- Control range 90°<
- Control time 5 s/90°<

d [mm]	DN [mm]	PN	kv-value ($\Delta p=1$ bar) [l/min]	EPDM Code	FPM Code	kg
16	10	10	50	199 175 222	199 175 232	2.121
20	15	10	75	199 175 223	199 175 233	2.121
25	20	10	150	199 175 224	199 175 234	2.303
32	25	10	280	199 175 225	199 175 235	2.474
40	32	10	480	199 175 226	199 175 236	2.815
50	40	10	620	199 175 227	199 175 237	3.359
63	50	10	1230	199 175 228	199 175 238	4.728

d [mm]	D [mm]	H [mm]	H1 [mm]	H2 [mm]	H3 [mm]	H5 [mm]	H6 [mm]	L [mm]	L1 [mm]	L2 [mm]	L3 [mm]	L4 [mm]	L5 [mm]	L6 [mm]	L7 [mm]
16	45	197	29	31	93	166	8	124	182	72	36	25	99	83	122
20	45	197	29	31	93	166	8	134	182	72	36	25	99	83	122
25	53	205	33	39	93	166	8	156	182	86	43	25	99	83	122
32	65	210	38	44	93	166	8	172	182	96	48	25	99	83	122
40	78	216	44	50	93	166	9	202	182	116	58	45	99	83	122
50	92	229	50	63	93	166	9	238	182	137	69	45	99	83	122
63	116	242	61	76	93	166	9	290	182	179	90	45	99	83	122

d [mm]	L8 [mm]	M
16	33	6
20	33	6
25	33	6
32	33	6
40	33	8
50	33	8
63	33	8



Ball valves pneumatic

Ball valve type 230 PVC-U FC (Fail safe to close) With manual override With solvent cement sockets metric



Model:

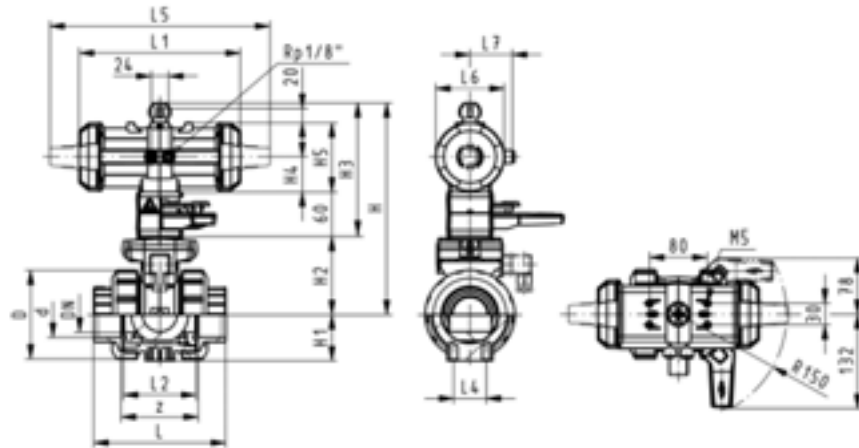
- Built on with pneumatic actuator PA11 (DN10/15-25), PA21 (DN32-50)
- For easy installation and removal
- Integrated stainless steel mounting inserts
- Control time 90° < 1-2 s

Option:

- Individual configuration of the valve (see form)

d [mm]	DN [mm]	PN	kv-value ($\Delta p=1$ bar) [l/min]	EPDM Code	FPM Code	kg
16	10	10	70	199 230 002	199 230 012	1.459
20	15	10	185	199 230 003	199 230 013	1.459
25	20	10	350	199 230 004	199 230 014	1.576
32	25	10	700	199 230 005	199 230 015	1.700
40	32	10	1000	199 230 006	199 230 016	2.751
50	40	10	1600	199 230 007	199 230 017	3.073
63	50	10	3100	199 230 008	199 230 018	3.931

d [mm]	D [mm]	H [mm]	H1 [mm]	H2 [mm]	H3 [mm]	H4 [mm]	H5 [mm]	L [mm]	L1 [mm]	L2 [mm]	L4 [mm]	L5 [mm]	L6 [mm]	L7 [mm]	z [mm]
16	50	230	27	62	168	40	97	92	194	56	25	261	76	48	64
20	50	230	27	62	168	40	97	95	194	56	25	261	76	48	64
25	58	239	30	71	168	40	97	110	194	65	25	261	76	48	72
32	68	239	36	71	168	40	97	123	194	71	25	261	76	48	79
40	84	271	44	84	187	51	115	146	224	85	45	305	95	59	94
50	97	271	51	84	187	51	115	157	224	89	45	305	95	59	95
63	124	293	64	106	187	51	115	183	224	101	45	305	95	59	107





Ball valve type 230 PVC-U FC (Fail safe to close) With manual override With solvent cement spigots metric

Model:

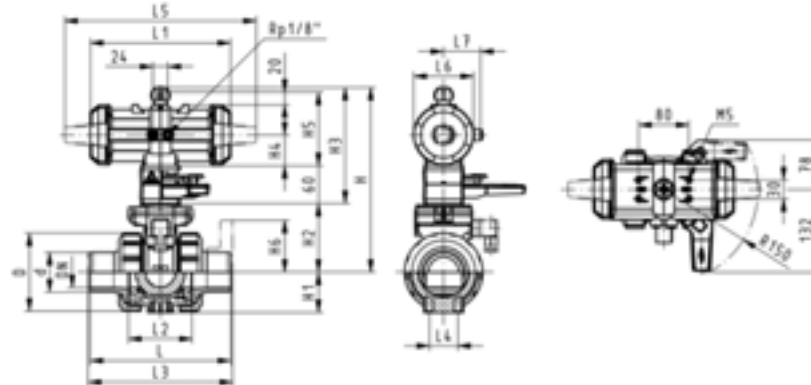
- Built on with pneumatic actuator PA11 (DN10/15-25), PA21 (DN32-50)
- For easy installation and removal
- Integrated stainless steel mounting inserts
- Control time $90^\circ \leq$ 1-2 s

Option:

- Individual configuration of the valve (see form)

d [mm]	DN [mm]	PN	kv-value ($\Delta p=1$ bar) [l/min]	EPDM Code	FPM Code	kg
16	10	10	70	199 230 022	199 230 032	1.459
20	15	10	185	199 230 023	199 230 033	1.459
25	20	10	350	199 230 024	199 230 034	1.576
32	25	10	700	199 230 025	199 230 035	1.700
40	32	10	1000	199 230 026	199 230 036	2.751
50	40	10	1600	199 230 027	199 230 037	3.073
63	50	10	3100	199 230 028	199 230 038	3.931

d [mm]	D [mm]	H [mm]	H1 [mm]	H2 [mm]	H3 [mm]	H4 [mm]	H5 [mm]	L [mm]	L1 [mm]	L2 [mm]	L3 [mm]	L4 [mm]	L5 [mm]	L6 [mm]	L7 [mm]
16	50	230	27	62	168	40	97	114	194	56	130	25	261	76	48
20	50	230	27	62	168	40	97	124	194	56	130	25	261	76	48
25	58	239	30	71	168	40	97	144	194	65	150	25	261	76	48
32	68	239	36	71	168	40	97	154	194	71	160	25	261	76	48
40	84	271	44	84	187	51	115	174	224	85	180	45	305	95	59
50	97	271	51	84	187	51	115	194	224	89	200	45	305	95	59
63	124	293	64	106	187	51	115	224	224	101	230	45	305	95	59





Ball valve type 230 PVC-U FC (Fail safe to close) With manual override With threaded sockets Rp

Model:

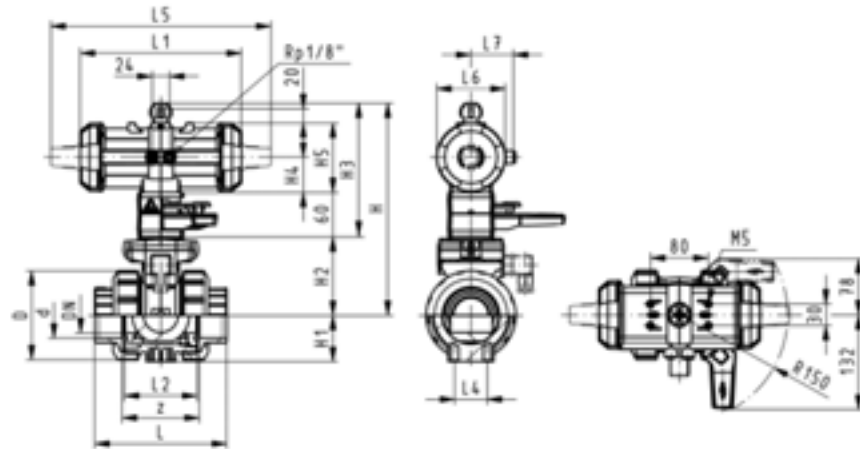
- Built on with pneumatic actuator PA11 (DN10/15-25), PA21 (DN32-50)
- For easy installation and removal
- Integrated stainless steel mounting inserts
- Control time 90° < 1-2 s

Option:

- Individual configuration of the valve (see form)

Rp [inch]	DN [mm]	PN	kv-value ($\Delta p=1$ bar) [l/min]	EPDM Code	FPM Code	kg
3/8	10	10	70	199 230 362	199 230 372	1.500
1/2	15	10	185	199 230 363	199 230 373	1.500
3/4	20	10	350	199 230 364	199 230 374	1.600
1	25	10	700	199 230 365	199 230 375	1.700
1 1/4	32	10	1000	199 230 366	199 230 376	2.800
1 1/2	40	10	1600	199 230 367	199 230 377	3.100
2	50	10	3100	199 230 368	199 230 378	4.000

Rp [inch]	D [mm]	H [mm]	H1 [mm]	H2 [mm]	H3 [mm]	H4 [mm]	H5 [mm]	L [mm]	L1 [mm]	L2 [mm]	L4 [mm]	L5 [mm]	L6 [mm]	L7 [mm]	z [mm]
3/8	50	230	27	62	168	40	97	92	194	56	25	261	76	48	64
1/2	50	230	27	62	168	40	97	95	194	56	25	261	76	48	64
3/4	58	239	30	71	168	40	97	110	194	65	25	261	76	48	72
1	68	239	36	71	168	40	97	123	194	71	25	261	76	48	79
1 1/4	84	271	44	84	187	51	115	146	224	85	45	305	95	59	94
1 1/2	97	271	51	84	187	51	115	157	224	89	45	305	95	59	95
2	124	293	64	106	187	51	115	183	224	101	45	305	95	59	107





Ball valve type 230 PVC-U FC (Fail safe to close) With manual override With fixed flanges serrated metric

Model:

- Built on with pneumatic actuator PA11 (DN10/15-25), PA21 (DN32-50)
- For easy installation and removal
- Integrated stainless steel mounting inserts
- Control time $90^\circ \leq$) 1-2 s
- Overall length according to EN 558
- Connecting dimensions: ISO 7005 / EN 1092 / DIN 2501 PN10 / BS4504

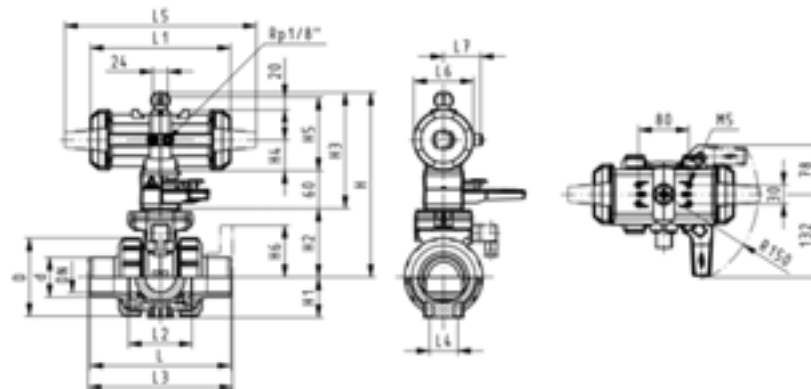
Option:

- Individual configuration of the valve (see form)

d [mm]	DN [mm]	Inch	PN	kv-value ($\Delta p=1$ bar) [l/min]	EPDM Code	FPM Code	kg
20	15	1/2	10	185	199 230 243	199 230 253	1.700
25	20	3/4	10	350	199 230 244	199 230 254	1.900
32	25	1	10	700	199 230 245	199 230 255	2.100
40	32	1 1/4	10	1000	199 230 246	199 230 256	3.400
50	40	1 1/2	10	1600	199 230 247	199 230 257	3.800
63	50	2	10	3100	199 230 248	199 230 258	4.900

d [mm]	D [mm]	H [mm]	H1 [mm]	H2 [mm]	H3 [mm]	H4 [mm]	H5 [mm]	H6 [mm]	L [mm]	L1 [mm]	L2 [mm]	L3 [mm]	L4 [mm]	L5 [mm]	L6 [mm]
20	50	230	27	62	168	40	97	48	124	194	56	130	25	261	76
25	58	239	30	71	168	40	97	53	144	194	65	150	25	261	76
32	68	239	36	71	168	40	97	58	154	194	71	160	25	261	76
40	84	271	44	84	187	51	115	70	174	224	85	180	45	305	95
50	97	271	51	84	187	51	115	75	194	224	89	200	45	305	95
63	124	293	64	106	187	51	115	83	224	224	101	230	45	305	95

d [mm]	L7 [mm]
20	48
25	48
32	48
40	59
50	59
63	59





Ball valve type 230 PVC-U FO (Fail safe to open) With manual override With solvent cement sockets metric

Model:

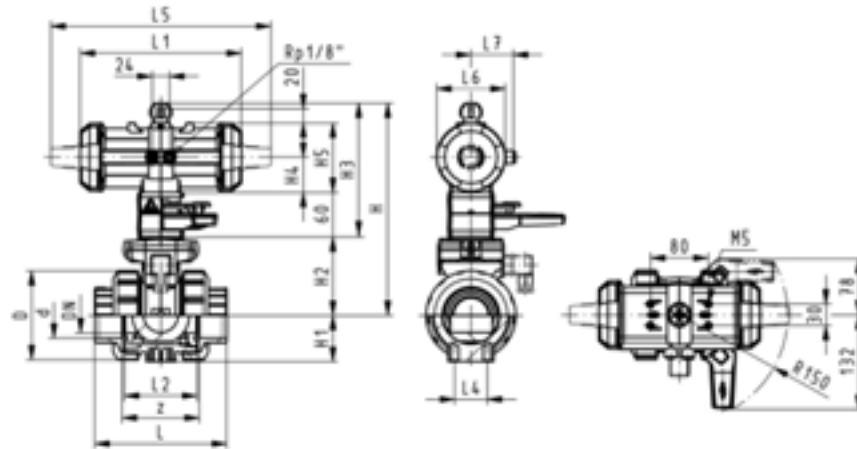
- Built on with pneumatic actuator PA11 (DN10/15-25), PA21 (DN32-50)
- For easy installation and removal
- Integrated stainless steel mounting inserts
- Control time 90° < 1-2 s

Option:

- Individual configuration of the valve (see form)

d [mm]	DN [mm]	PN	kv-value ($\Delta p=1$ bar) [l/min]	EPDM Code	FPM Code	kg
16	10	10	70	199 230 042	199 230 052	1.459
20	15	10	185	199 230 043	199 230 053	1.459
25	20	10	350	199 230 044	199 230 054	1.576
32	25	10	700	199 230 045	199 230 055	1.700
40	32	10	1000	199 230 046	199 230 056	2.751
50	40	10	1600	199 230 047	199 230 057	3.073
63	50	10	3100	199 230 048	199 230 058	3.931

d [mm]	D [mm]	H [mm]	H1 [mm]	H2 [mm]	H3 [mm]	H4 [mm]	H5 [mm]	L [mm]	L1 [mm]	L2 [mm]	L4 [mm]	L5 [mm]	L6 [mm]	L7 [mm]	z [mm]
16	50	230	27	62	168	40	97	92	194	56	25	261	76	48	64
20	50	230	27	62	168	40	97	95	194	56	25	261	76	48	64
25	58	239	30	71	168	40	97	110	194	65	25	261	76	48	72
32	68	239	36	71	168	40	97	123	194	71	25	261	76	48	79
40	84	271	44	84	187	51	115	146	224	85	45	305	95	59	94
50	97	271	51	84	187	51	115	157	224	89	45	305	95	59	95
63	124	293	64	106	187	51	115	183	224	101	45	305	95	59	107





Ball valve type 230 PVC-U FO (Fail safe to open) With manual override With solvent cement spigots metric

Model:

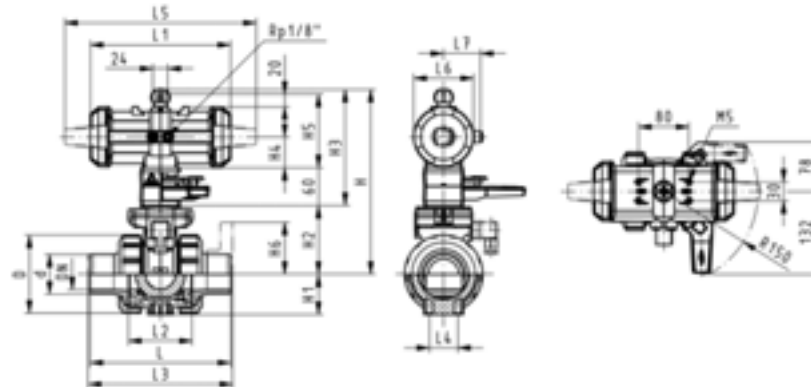
- Built on with pneumatic actuator PA11 (DN10/15-25), PA21 (DN32-50)
- For easy installation and removal
- Integrated stainless steel mounting inserts
- Control time $90^\circ \leq$ 1-2 s

Option:

- Individual configuration of the valve (see form)

d [mm]	DN [mm]	PN	kv-value ($\Delta p=1$ bar) [l/min]	EPDM Code	FPM Code	kg
16	10	10	70	199 230 062	199 230 072	1.459
20	15	10	185	199 230 063	199 230 073	1.459
25	20	10	350	199 230 064	199 230 074	1.576
32	25	10	700	199 230 065	199 230 075	1.700
40	32	10	1000	199 230 066	199 230 076	2.751
50	40	10	1600	199 230 067	199 230 077	3.073
63	50	10	3100	199 230 068	199 230 078	3.931

d [mm]	D [mm]	H [mm]	H1 [mm]	H2 [mm]	H3 [mm]	H4 [mm]	H5 [mm]	L [mm]	L1 [mm]	L2 [mm]	L3 [mm]	L4 [mm]	L5 [mm]	L6 [mm]	L7 [mm]
16	50	230	27	62	168	40	97	114	194	56	130	25	261	76	48
20	50	230	27	62	168	40	97	124	194	56	130	25	261	76	48
25	58	239	30	71	168	40	97	144	194	65	150	25	261	76	48
32	68	239	36	71	168	40	97	154	194	71	160	25	261	76	48
40	84	271	44	84	187	51	115	174	224	85	180	45	305	95	59
50	97	271	51	84	187	51	115	194	224	89	200	45	305	95	59
63	124	293	64	106	187	51	115	224	224	101	230	45	305	95	59





Ball valve type 230 PVC-U FO (Fail safe to open) With manual override With threaded sockets Rp

Model:

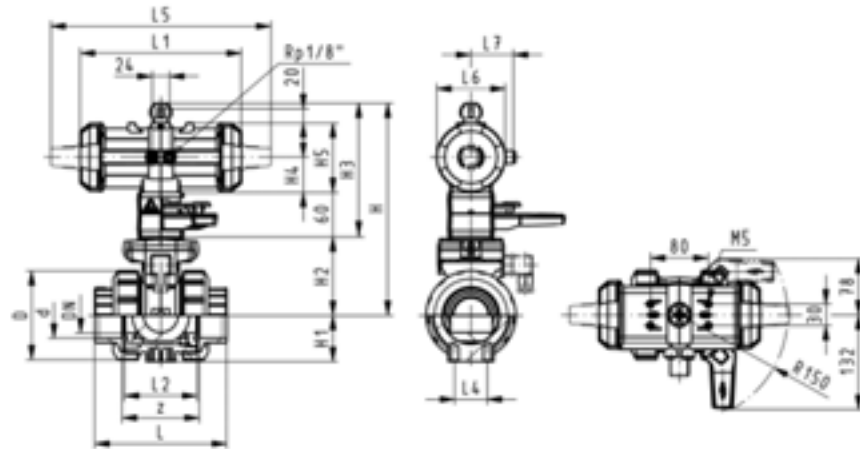
- Built on with pneumatic actuator PA11 (DN10/15-25), PA21 (DN32-50)
- For easy installation and removal
- Integrated stainless steel mounting inserts
- Control time 90° < 1-2 s

Option:

- Individual configuration of the valve (see form)

Rp [inch]	DN [mm]	PN	kv-value ($\Delta p=1$ bar) [l/min]	EPDM Code	FPM Code	kg
3/8	10	10	70	199 230 382	199 230 392	1.500
1/2	15	10	185	199 230 383	199 230 393	1.500
3/4	20	10	350	199 230 384	199 230 394	1.600
1	25	10	700	199 230 385	199 230 395	1.700
1 1/4	32	10	1000	199 230 386	199 230 396	2.800
1 1/2	40	10	1600	199 230 387	199 230 397	3.100
2	50	10	3100	199 230 388	199 230 398	4.000

Rp [inch]	D [mm]	H [mm]	H1 [mm]	H2 [mm]	H3 [mm]	H4 [mm]	H5 [mm]	L [mm]	L1 [mm]	L2 [mm]	L4 [mm]	L5 [mm]	L6 [mm]	L7 [mm]	z [mm]
3/8	50	230	27	62	168	40	97	92	194	56	25	261	76	48	64
1/2	50	230	27	62	168	40	97	95	194	56	25	261	76	48	64
3/4	58	239	30	71	168	40	97	110	194	65	25	261	76	48	72
1	68	239	36	71	168	40	97	123	194	71	25	261	76	48	79
1 1/4	84	271	44	84	187	51	115	146	224	85	45	305	95	59	94
1 1/2	97	271	51	84	187	51	115	157	224	89	45	305	95	59	95
2	124	293	64	106	187	51	115	183	224	101	45	305	95	59	107





Ball valve type 230 PVC-U FO (Fail safe to open) With manual override With fixed flanges serrated metric

Model:

- Built on with pneumatic actuator PA11 (DN10/15-25), PA21 (DN32-50)
- For easy installation and removal
- Integrated stainless steel mounting inserts
- Control time $90^\circ \leq$) 1-2 s
- Overall length according to EN 558
- Connecting dimensions: ISO 7005 / EN 1092 / DIN 2501 PN10 / BS4504

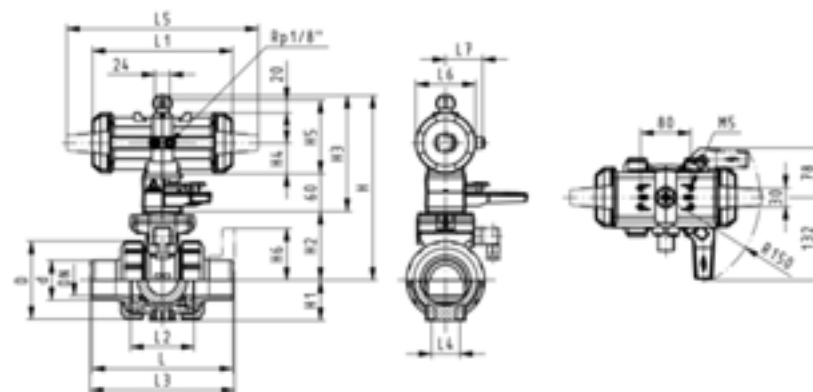
Option:

- Individual configuration of the valve (see form)

d [mm]	DN [mm]	Inch	PN	kv-value ($\Delta p=1$ bar) [l/min]	EPDM Code	FPM Code	kg
20	15	½	10	185	199 230 263	199 230 273	1.700
25	20	¾	10	350	199 230 264	199 230 274	1.900
32	25	1	10	700	199 230 265	199 230 275	2.100
40	32	1 ¼	10	1000	199 230 266	199 230 276	3.400
50	40	1 ½	10	1600	199 230 267	199 230 277	3.800
63	50	2	10	3100	199 230 268	199 230 278	4.900

d [mm]	D [mm]	H [mm]	H1 [mm]	H2 [mm]	H3 [mm]	H4 [mm]	H5 [mm]	H6 [mm]	L [mm]	L1 [mm]	L2 [mm]	L3 [mm]	L4 [mm]	L5 [mm]	L6 [mm]
20	50	230	27	62	168	40	97	48	124	194	56	130	25	261	76
25	58	239	30	71	168	40	97	53	144	194	65	150	25	261	76
32	68	239	36	71	168	40	97	58	154	194	71	160	25	261	76
40	84	271	44	84	187	51	115	70	174	224	85	180	45	305	95
50	97	271	51	84	187	51	115	75	194	224	89	200	45	305	95
63	124	293	64	106	187	51	115	83	224	224	101	230	45	305	95

d [mm]	L7 [mm]
20	48
25	48
32	48
40	59
50	59
63	59





Ball valve type 230 PVC-U DA (Double acting) With manual override With solvent cement sockets metric

Model:

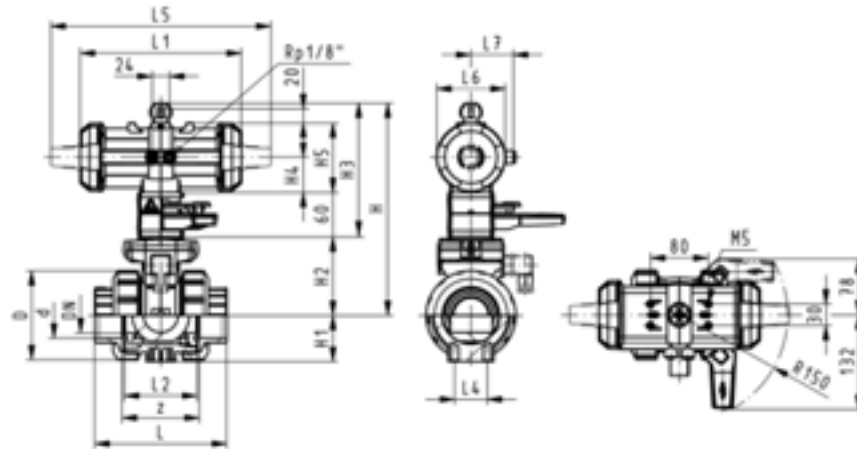
- Built on with pneumatic actuator PA11 (DN10/15-25), PA21 (DN32-50)
- For easy installation and removal
- Integrated stainless steel mounting inserts
- Control time 90° < 1-2 s

Option:

- Individual configuration of the valve (see form)

d [mm]	DN [mm]	PN	kv-value ($\Delta p=1$ bar) [l/min]	EPDM Code	FPM Code	kg
16	10	10	70	199 230 082	199 230 092	1.459
20	15	10	185	199 230 083	199 230 093	1.459
25	20	10	350	199 230 084	199 230 094	1.576
32	25	10	700	199 230 085	199 230 095	1.700
40	32	10	1000	199 230 086	199 230 096	2.751
50	40	10	1600	199 230 087	199 230 097	3.073
63	50	10	3100	199 230 088	199 230 098	3.931

d [mm]	D [mm]	H [mm]	H1 [mm]	H2 [mm]	H3 [mm]	H4 [mm]	H5 [mm]	L [mm]	L1 [mm]	L2 [mm]	L4 [mm]	L5 [mm]	L6 [mm]	L7 [mm]	z [mm]
16	50	230	27	62	168	40	97	92	194	56	25	261	76	48	64
20	50	230	27	62	168	40	97	95	194	56	25	261	76	48	64
25	58	239	30	71	168	40	97	110	194	65	25	261	76	48	72
32	68	239	36	71	168	40	97	123	194	71	25	261	76	48	79
40	84	271	44	84	187	51	115	146	224	85	45	305	95	59	94
50	97	271	51	84	187	51	115	157	224	89	45	305	95	59	95
63	124	293	64	106	187	51	115	183	224	101	45	305	95	59	107





Ball valve type 230 PVC-U DA (Double acting) With manual override With solvent cement spigots metric

Model:

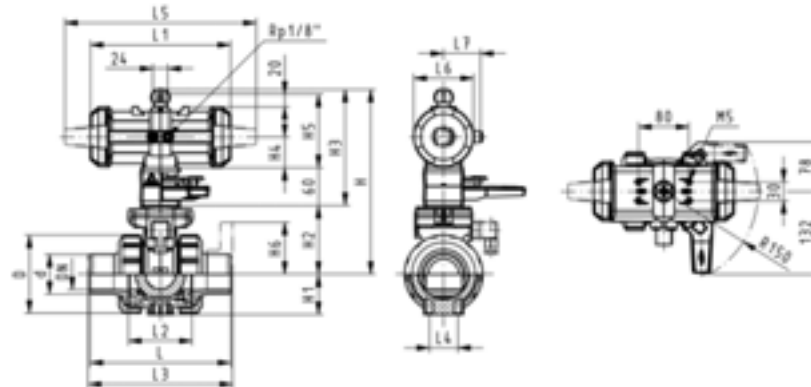
- Built on with pneumatic actuator PA11 (DN10/15-25), PA21 (DN32-50)
- For easy installation and removal
- Integrated stainless steel mounting inserts
- Control time $90^\circ \leq$ 1-2 s

Option:

- Individual configuration of the valve (see form)

d [mm]	DN [mm]	PN	kv-value ($\Delta p=1$ bar) [l/min]	EPDM Code	FPM Code	kg
16	10	10	70	199 230 102	199 230 112	1.459
20	15	10	185	199 230 103	199 230 113	1.459
25	20	10	350	199 230 104	199 230 114	1.576
32	25	10	700	199 230 105	199 230 115	1.700
40	32	10	1000	199 230 106	199 230 116	2.751
50	40	10	1600	199 230 107	199 230 117	3.073
63	50	10	3100	199 230 108	199 230 118	3.931

d [mm]	D [mm]	H [mm]	H1 [mm]	H2 [mm]	H3 [mm]	H4 [mm]	H5 [mm]	L [mm]	L1 [mm]	L2 [mm]	L3 [mm]	L4 [mm]	L5 [mm]	L6 [mm]	L7 [mm]
16	50	230	27	62	168	40	97	114	194	56	130	25	261	76	48
20	50	230	27	62	168	40	97	124	194	56	130	25	261	76	48
25	58	239	30	71	168	40	97	144	194	65	150	25	261	76	48
32	68	239	36	71	168	40	97	154	194	71	160	25	261	76	48
40	84	271	44	84	187	51	115	174	224	85	180	45	305	95	59
50	97	271	51	84	187	51	115	194	224	89	200	45	305	95	59
63	124	293	64	106	187	51	115	224	224	101	230	45	305	95	59





Ball valve type 230 PVC-U DA (Double acting) With manual override With threaded sockets Rp

Model:

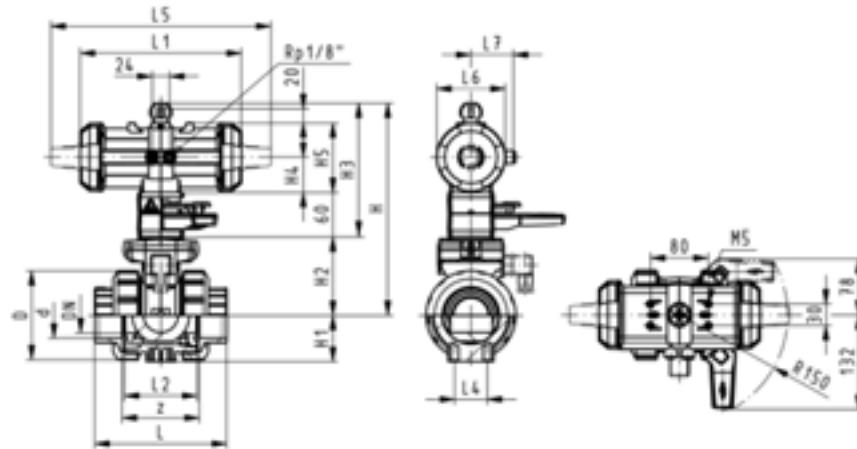
- Built on with pneumatic actuator PA11 (DN10/15-25), PA21 (DN32-50)
- For easy installation and removal
- Integrated stainless steel mounting inserts
- Control time 90° < 1-2 s

Option:

- Individual configuration of the valve (see form)

Rp [inch]	DN [mm]	PN	kv-value ($\Delta p=1$ bar) [l/min]	EPDM Code	FPM Code	kg
3/8	10	10	70	199 230 642	199 230 652	1.500
1/2	15	10	185	199 230 643	199 230 653	1.500
3/4	20	10	350	199 230 644	199 230 654	1.600
1	25	10	700	199 230 645	199 230 655	1.700
1 1/4	32	10	1000	199 230 646	199 230 656	2.800
1 1/2	40	10	1600	199 230 647	199 230 657	3.100
2	50	10	3100	199 230 648	199 230 658	4.000

Rp [inch]	D [mm]	H [mm]	H1 [mm]	H2 [mm]	H3 [mm]	H4 [mm]	H5 [mm]	L [mm]	L1 [mm]	L2 [mm]	L4 [mm]	L5 [mm]	L6 [mm]	L7 [mm]	z [mm]
3/8	50	230	27	62	168	40	97	92	194	56	25	261	76	48	64
1/2	50	230	27	62	168	40	97	95	194	56	25	261	76	48	64
3/4	58	239	30	71	168	40	97	110	194	65	25	261	76	48	72
1	68	239	36	71	168	40	97	123	194	71	25	261	76	48	79
1 1/4	84	271	44	84	187	51	115	146	224	85	45	305	95	59	94
1 1/2	97	271	51	84	187	51	115	157	224	89	45	305	95	59	95
2	124	293	64	106	187	51	115	183	224	101	45	305	95	59	107





Ball valve type 230 PVC-U DA (Double acting) With manual override With fixed flanges serrated metric

Model:

- Built on with pneumatic actuator PA11 (DN10/15-25), PA21 (DN32-50)
- For easy installation and removal
- Integrated stainless steel mounting inserts
- Control time $90^\circ \leq$) 1-2 s
- Overall length according to EN 558
- Connecting dimensions: ISO 7005 / EN 1092 / DIN 2501 PN10 / BS4504

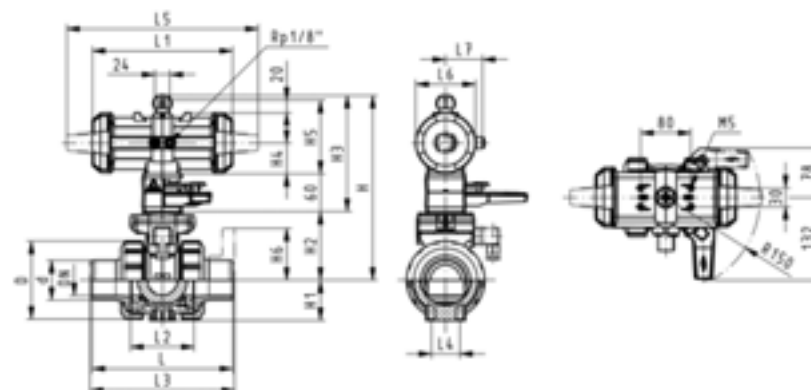
Option:

- Individual configuration of the valve (see form)

d [mm]	DN [mm]	Inch	PN	kv-value ($\Delta p=1$ bar) [l/min]	EPDM Code	FPM Code	kg
20	15	1/2	10	185	199 230 283	199 230 293	1.700
25	20	3/4	10	350	199 230 284	199 230 294	1.900
32	25	1	10	700	199 230 285	199 230 295	2.100
40	32	1 1/4	10	1000	199 230 286	199 230 296	3.400
50	40	1 1/2	10	1600	199 230 287	199 230 297	3.800
63	50	2	10	3100	199 230 288	199 230 298	4.900

d [mm]	D [mm]	H [mm]	H1 [mm]	H2 [mm]	H3 [mm]	H4 [mm]	H5 [mm]	H6 [mm]	L [mm]	L1 [mm]	L2 [mm]	L3 [mm]	L4 [mm]	L5 [mm]	L6 [mm]
20	50	230	27	62	168	40	97	48	124	194	56	130	25	261	76
25	58	239	30	71	168	40	97	53	144	194	65	150	25	261	76
32	68	239	36	71	168	40	97	58	154	194	71	160	25	261	76
40	84	271	44	84	187	51	115	70	174	224	85	180	45	305	95
50	97	271	51	84	187	51	115	75	194	224	89	200	45	305	95
63	124	293	64	106	187	51	115	83	224	224	101	230	45	305	95

d [mm]	L7 [mm]
20	48
25	48
32	48
40	59
50	59
63	59





Ball valve type 230 PVC-U FC (Fail safe to close) Without manual override With solvent cement sockets metric

Model:

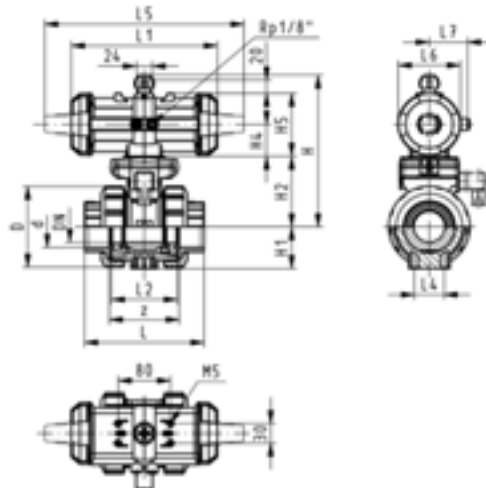
- For easy installation and removal
- Integrated stainless steel mounting inserts
- Control time 90° < 1-2 s
- Image and drawing DN65-100 please see **"New product ball valve DN65-100"**
- Assignment of actuators: PA11 (DN10/15-25), PA21 (DN32-50), PA30 (DN65), PA35 (DN80), PA40 (DN100)

Option:

- Individual configuration of the valve (see form)

d [mm]	DN [mm]	PN	kv-value ($\Delta p=1$ bar) [l/min]	EPDM Code	FPM Code	kg
16	10	10	70	199 230 122	199 230 132	1.159
20	15	10	185	199 230 123	199 230 133	1.159
25	20	10	350	199 230 124	199 230 134	1.276
32	25	10	700	199 230 125	199 230 135	1.400
40	32	10	1000	199 230 126	199 230 136	2.451
50	40	10	1600	199 230 127	199 230 137	2.773
63	50	10	3100	199 230 128	199 230 138	3.631
75	65	10	5000	199 230 129	199 230 139	4.300
90	80	10	7000	199 230 130	199 230 140	5.200
110	100	10	11000	199 230 131	199 230 141	7.700

d [mm]	D [mm]	H [mm]	H1 [mm]	H2 [mm]	H4 [mm]	H5 [mm]	L [mm]	L1 [mm]	L2 [mm]	L4 [mm]	L5 [mm]	L6 [mm]	L7 [mm]	z [mm]
16	50	167	27	62	40	97	92	194	56	25	261	76	48	64
20	50	167	27	62	40	97	95	194	56	25	261	76	48	64
25	58	176	30	71	40	97	110	194	65	25	261	76	48	72
32	68	176	36	71	40	97	123	194	71	25	261	76	48	79
40	84	210	44	84	51	115	146	224	85	45	305	95	59	94
50	97	210	51	84	51	115	157	224	89	45	305	95	59	95
63	124	232	64	106	51	115	183	224	101	45	305	95	59	107
75	166	262	85	156		70	233	218	136	70	276	65		144
90	200	281	105	168		78	254	259	141	70	341	72		151
110	238	292	123	175		86	301	287	164	120	369	80		174








Ball valve type 230 PVC-U FC (Fail safe to close) Without manual override With solvent cement spigots metric




Model:

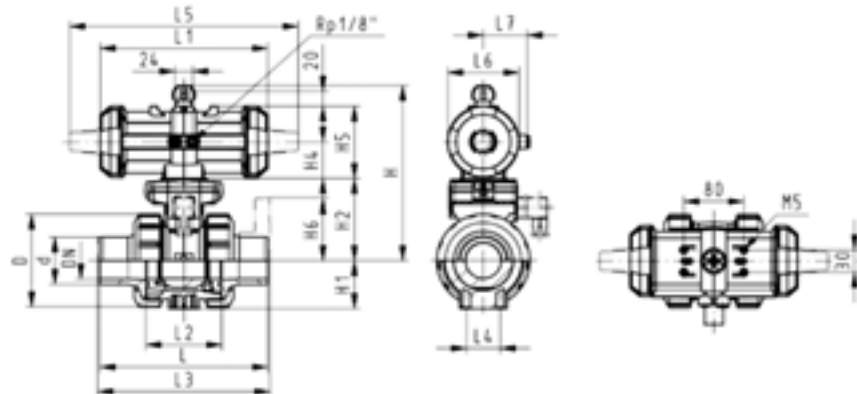
- For easy installation and removal
- Integrated stainless steel mounting inserts
- Control time $90^\circ <$ 1-2 s
- Image and drawing DN65-100 please see "**New product ball valve DN65-100**"
- Assignment of actuators: PA11 (DN10/15-25), PA21 (DN32-50), PA30 (DN65), PA35 (DN80), PA40 (DN100)

Option:

- Individual configuration of the valve (see form)

d [mm]	DN [mm]	PN	kv-value ($\Delta p=1$ bar) [l/min]	EPDM Code	FPM Code	kg
16	10	10	70	199 230 142	199 230 152	1.159
20	15	10	185	199 230 143	199 230 153	1.159
25	20	10	350	199 230 144	199 230 154	1.276
32	25	10	700	199 230 145	199 230 155	1.400
40	32	10	1000	199 230 146	199 230 156	2.451
50	40	10	1600	199 230 147	199 230 157	2.773
63	50	10	3100	199 230 148	199 230 158	3.631
 75	65	10	5000	199 230 149	199 230 159	4.400
 90	80	10	7000	199 230 150	199 230 160	5.400
 110	100	10	11000	199 230 151	199 230 161	7.900

d [mm]	D [mm]	H [mm]	H1 [mm]	H2 [mm]	H4 [mm]	H5 [mm]	L [mm]	L1 [mm]	L2 [mm]	L3 [mm]	L4 [mm]	L5 [mm]	L6 [mm]	L7 [mm]
16	50	167	27	62	40	97	114	194	56	0	25	261	76	48
20	50	167	27	62	40	97	124	194	56	130	25	261	76	48
25	58	176	30	71	40	97	144	194	65	150	25	261	76	48
32	68	176	36	71	40	97	154	194	71	160	25	261	76	48
40	84	210	44	84	51	115	174	224	85	180	45	305	95	59
50	97	210	51	84	51	115	194	224	89	200	45	305	95	59
63	124	232	64	106	51	115	224	224	101	230	45	305	95	59
 75	166	262	85	156		70	284	218	136	290	70	276	65	
 90	200	281	105	168		78	300	259	141	310	70	341	72	
 110	238	292	123	175		86	340	287	164	350	120	369	80	





Ball valve type 230 PVC-U FC (Fail safe to close) Without manual override With threaded sockets Rp

Model:

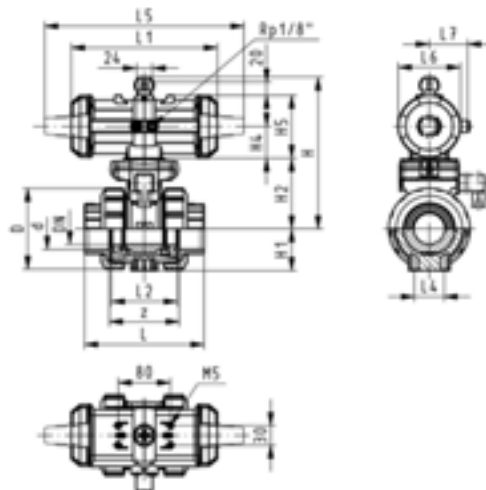
- For easy installation and removal
- Integrated stainless steel mounting inserts
- Control time 90°< 1-2 s
- Image and drawing DN65-100 please see **"New product ball valve DN65-100"**
- Assignment of actuators: PA11 (DN10/15-25), PA21 (DN32-50), PA30 (DN65), PA35 (DN80), PA40 (DN100)

Option:

- Individual configuration of the valve (see form)

Rp [inch]	DN [mm]	PN	kv-value ($\Delta p=1$ bar) [l/min]	EPDM Code	FPM Code	kg
3/8	10	10	70	199 230 662	199 230 672	1.200
1/2	15	10	185	199 230 663	199 230 673	1.200
3/4	20	10	350	199 230 664	199 230 674	1.300
1	25	10	700	199 230 665	199 230 675	1.400
1 1/4	32	10	1000	199 230 666	199 230 676	2.500
1 1/2	40	10	1600	199 230 667	199 230 677	2.800
2	50	10	3100	199 230 668	199 230 678	3.700
2 1/2	65	10	5000	199 230 669	199 230 679	4.300
3	80	10	7000	199 230 670	199 230 680	5.300
4	100	10	11000	199 230 671	199 230 681	7.700

Rp [inch]	D [mm]	H [mm]	H1 [mm]	H2 [mm]	H4 [mm]	H5 [mm]	L [mm]	L1 [mm]	L2 [mm]	L4 [mm]	L5 [mm]	L6 [mm]	L7 [mm]	z [mm]
3/8	50	167	27	62	40	97	92	194	56	25	261	76	48	64
1/2	50	167	27	62	40	97	95	194	56	25	261	76	48	64
3/4	58	176	30	71	40	97	110	194	65	25	261	76	48	72
1	68	176	36	71	40	97	123	194	71	25	261	76	48	79
1 1/4	84	210	44	84	51	115	146	224	85	45	305	95	59	94
1 1/2	97	210	51	84	51	115	157	224	89	45	305	95	59	95
2	124	232	64	106	51	115	183	224	101	45	305	95	59	107
2 1/2	166	262	85	156		70	233	218	136	70	276	65		144
3	200	281	105	168		78	254	259	141	70	341	72		151
4	238	292	123	175		86	301	287	164	120	369	80		174





Ball valve type 230 PVC-U FC (Fail safe to close) Without manual override With fixed flanges serrated metric

Model:

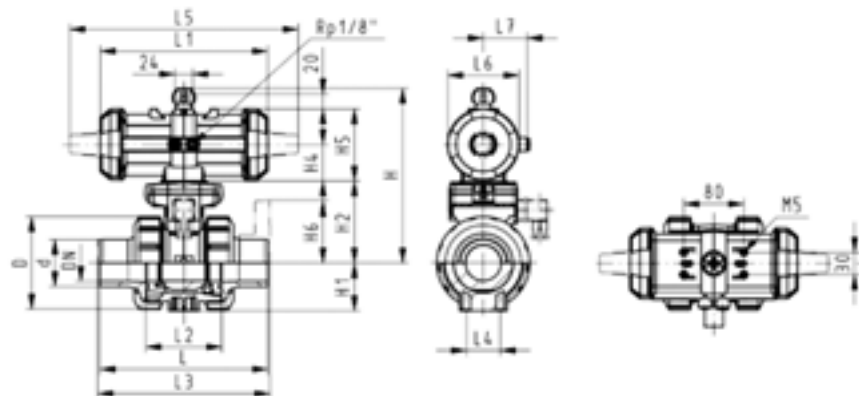
- For easy installation and removal
- Integrated stainless steel mounting inserts
- Control time $90^\circ <$ 1-2 s
- Built on with pneumatic actuator PA11 (DN10/15-25), PA21 (DN32-50)
- Overall length according to EN 558
- Connecting dimensions: ISO 7005 / EN 1092 / DIN 2501 PN10 / BS4504

Option:

- Individual configuration of the valve (see form)

d [mm]	DN [mm]	Inch	PN	kv-value ($\Delta p=1$ bar) [l/min]	EPDM Code	FPM Code	kg
20	15	1/2	10	185	199 230 303	199 230 313	1.700
25	20	3/4	10	350	199 230 304	199 230 314	1.900
32	25	1	10	700	199 230 305	199 230 315	2.100
40	32	1 1/4	10	1000	199 230 306	199 230 316	3.400
50	40	1 1/2	10	1600	199 230 307	199 230 317	3.800
63	50	2	10	3100	199 230 308	199 230 318	4.900

d [mm]	D [mm]	H [mm]	H1 [mm]	H2 [mm]	H4 [mm]	H5 [mm]	H6 [mm]	L [mm]	L1 [mm]	L2 [mm]	L3 [mm]	L4 [mm]	L5 [mm]	L6 [mm]	L7 [mm]
20	50	167	27	62	40	97	48	124	194	56	130	25	261	76	48
25	58	176	30	71	40	97	53	144	194	65	150	25	261	76	48
32	68	176	36	71	40	97	58	154	194	71	160	25	261	76	48
40	84	210	44	84	51	115	70	174	224	85	180	45	305	95	59
50	97	210	51	84	51	115	75	194	224	89	200	45	305	95	59
63	124	232	64	106	51	115	83	224	224	101	230	45	305	95	59





Ball valve type 230 PVC-U FO (Fail safe to open) Without manual override With solvent cement sockets metric

Model:

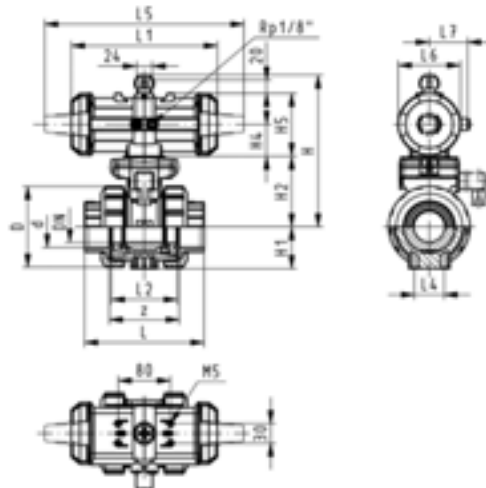
- For easy installation and removal
- Integrated stainless steel mounting inserts
- Control time 90° < 1-2 s
- Image and drawing DN65-100 please see **"New product ball valve DN65-100"**
- Assignment of actuators: PA11 (DN10/15-25), PA21 (DN32-50), PA30 (DN65), PA35 (DN80), PA40 (DN100)

Option:

- Individual configuration of the valve (see form)

d [mm]	DN [mm]	PN	kv-value ($\Delta p=1$ bar) [l/min]	EPDM Code	FPM Code	kg
16	10	10	70	199 230 162	199 230 172	1.159
20	15	10	185	199 230 163	199 230 173	1.159
25	20	10	350	199 230 164	199 230 174	1.276
32	25	10	700	199 230 165	199 230 175	1.400
40	32	10	1000	199 230 166	199 230 176	2.451
50	40	10	1600	199 230 167	199 230 177	2.773
63	50	10	3100	199 230 168	199 230 178	3.631
75	65	10	5000	199 230 169	199 230 179	4.300
90	80	10	7000	199 230 170	199 230 180	5.200
110	100	10	11000	199 230 171	199 230 181	7.700

d [mm]	D [mm]	H [mm]	H1 [mm]	H2 [mm]	H4 [mm]	H5 [mm]	L [mm]	L1 [mm]	L2 [mm]	L4 [mm]	L5 [mm]	L6 [mm]	L7 [mm]	z [mm]
16	50	167	27	62	40	97	92	194	56	25	261	76	48	64
20	50	167	27	62	40	97	95	194	56	25	261	76	48	64
25	58	176	30	71	40	97	110	194	65	25	261	76	48	72
32	68	176	36	71	40	97	123	194	71	25	261	76	48	79
40	84	210	44	84	51	115	146	224	85	45	305	95	59	94
50	97	210	51	84	51	115	157	224	89	45	305	95	59	95
63	124	232	64	106	51	115	183	224	101	45	305	95	59	107
75	166	262	85	156		70	233	218	136	70	276	65		144
90	200	281	105	168		78	254	259	141	70	341	72		151
110	238	292	123	175		86	301	287	164	120	369	80		174








Ball valve type 230 PVC-U FO (Fail safe to open) Without manual override With solvent cement spigots metric




Model:

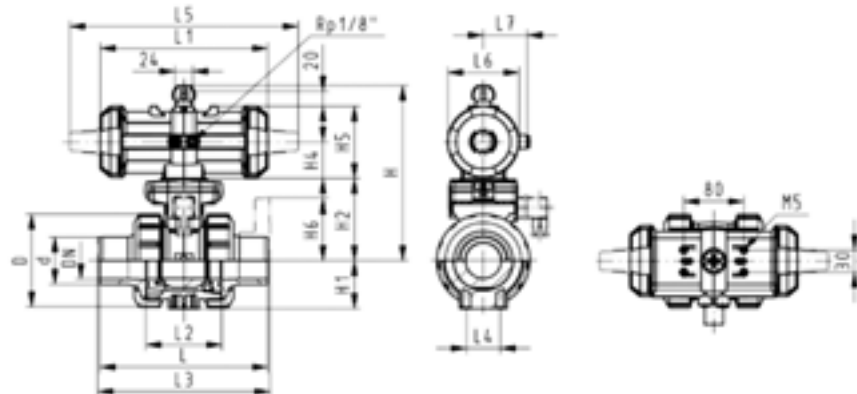
- For easy installation and removal
- Integrated stainless steel mounting inserts
- Control time $90^\circ <$ 1-2 s
- Image and drawing DN65-100 please see "**New product ball valve DN65-100**"
- Assignment of actuators: PA11 (DN10/15-25), PA21 (DN32-50), PA30 (DN65), PA35 (DN80), PA40 (DN100)

Option:

- Individual configuration of the valve (see form)

d [mm]	DN [mm]	PN	kv-value ($\Delta p=1$ bar) [l/min]	EPDM Code	FPM Code	kg
16	10	10	70	199 230 182	199 230 192	1.159
20	15	10	185	199 230 183	199 230 193	1.159
25	20	10	350	199 230 184	199 230 194	1.276
32	25	10	700	199 230 185	199 230 195	1.400
40	32	10	1000	199 230 186	199 230 196	2.451
50	40	10	1600	199 230 187	199 230 197	2.773
63	50	10	3100	199 230 188	199 230 198	3.631
 75	65	10	5000	199 230 189	199 230 199	4.400
 90	80	10	7000	199 230 190	199 230 200	5.400
 110	100	10	11000	199 230 191	199 230 201	7.900

d [mm]	D [mm]	H [mm]	H1 [mm]	H2 [mm]	H4 [mm]	H5 [mm]	L [mm]	L1 [mm]	L2 [mm]	L3 [mm]	L4 [mm]	L5 [mm]	L6 [mm]	L7 [mm]
16	50	167	27	62	40	97	114	194	56	0	25	261	76	48
20	50	167	27	62	40	97	124	194	56	130	25	261	76	48
25	58	176	30	71	40	97	144	194	65	150	25	261	76	48
32	68	176	36	71	40	97	154	194	71	160	25	261	76	48
40	84	210	44	84	51	115	174	224	85	180	45	305	95	59
50	97	210	51	84	51	115	194	224	89	200	45	305	95	59
63	124	232	64	106	51	115	224	224	101	230	45	305	95	59
 75	166	262	85	156		70	284	218	136	290	70	276	65	
 90	200	281	105	168		78	300	259	141	310	70	341	72	
 110	238	292	123	175		86	340	287	164	350	120	369	80	





Ball valve type 230 PVC-U FO (Fail safe to open) Without manual override With threaded sockets Rp

Model:

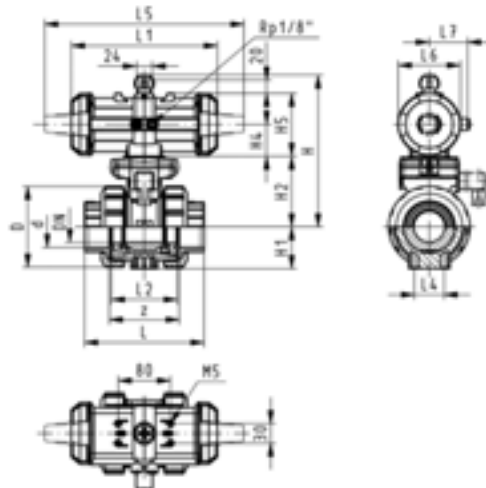
- For easy installation and removal
- Integrated stainless steel mounting inserts
- Control time 90°< 1-2 s
- Assignment of actuators: PA11 (DN10/15-25), PA21 (DN32-50), PA30 (DN65), PA35 (DN80), PA40 (DN100)
- Image and drawing DN65-100 please see **"New product ball valve DN65-100"**

Option:

- Individual configuration of the valve (see form)

Rp [inch]	DN [mm]	PN	kv-value ($\Delta p=1$ bar) [l/min]	EPDM Code	FPM Code	kg
3/8	10	10	70	199 230 682	199 230 692	1.200
1/2	15	10	185	199 230 683	199 230 693	1.200
3/4	20	10	350	199 230 684	199 230 694	1.300
1	25	10	700	199 230 685	199 230 695	1.400
1 1/4	32	10	1000	199 230 686	199 230 696	2.500
1 1/2	40	10	1600	199 230 687	199 230 697	2.800
2	50	10	3100	199 230 688	199 230 698	3.700
2 1/2	65	10	5000	199 230 689	199 230 699	4.300
3	80	10	7000	199 230 690	199 230 700	5.300
4	100	10	11000	199 230 691	199 230 701	7.700

Rp [inch]	D [mm]	H [mm]	H1 [mm]	H2 [mm]	H4 [mm]	H5 [mm]	L [mm]	L1 [mm]	L2 [mm]	L4 [mm]	L5 [mm]	L6 [mm]	L7 [mm]	z [mm]
3/8	50	167	27	62	40	97	92	194	56	25	261	76	48	64
1/2	50	167	27	62	40	97	95	194	56	25	261	76	48	64
3/4	58	176	30	71	40	97	110	194	65	25	261	76	48	72
1	68	176	36	71	40	97	123	194	71	25	261	76	48	79
1 1/4	84	210	44	84	51	115	146	224	85	45	305	95	59	94
1 1/2	97	210	51	84	51	115	157	224	89	45	305	95	59	95
2	124	232	64	106	51	115	183	224	101	45	305	95	59	107
2 1/2	166	262	85	156		70	233	218	136	70	276	65		144
3	200	281	105	168		78	254	259	141	70	341	72		151
4	238	292	123	175		86	301	287	164	120	369	80		174





Ball valve type 230 PVC-U FO (Fail safe to open) Without manual override With fixed flanges serrated metric

Model:

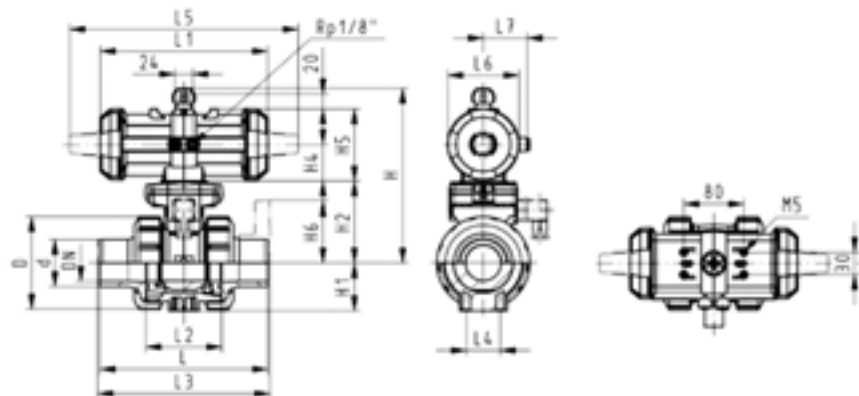
- For easy installation and removal
- Integrated stainless steel mounting inserts
- Control time $90^\circ <$ 1-2 s
- Built on with pneumatic actuator PA11 (DN10/15-25), PA21 (DN32-50)
- Overall length according to EN 558
- Connecting dimensions: ISO 7005 / EN 1092 / DIN 2501 PN10 / BS4504

Option:

- Individual configuration of the valve (see form)

d [mm]	DN [mm]	Inch	PN	kv-value ($\Delta p=1$ bar) [l/min]	EPDM Code	FPM Code	kg	
20	15	½	10	185	199 230 323	199 230 333	1.700	
25	20	¾	10	350	199 230 324	199 230 334	1.900	
32	25	1	10	700	199 230 325	199 230 335	2.100	
40	32	1 ¼	10	1000	199 230 326	199 230 336	3.400	
50	40	1 ½	10	1600	199 230 327	199 230 337	3.800	
63	50	2	10	3100	199 230 328	199 230 338	4.900	

d [mm]	D [mm]	H [mm]	H1 [mm]	H2 [mm]	H4 [mm]	H5 [mm]	H6 [mm]	L [mm]	L1 [mm]	L2 [mm]	L3 [mm]	L4 [mm]	L5 [mm]	L6 [mm]	L7 [mm]
20	50	167	27	62	40	97	48	124	194	56	130	25	261	76	48
25	58	176	30	71	40	97	53	144	194	65	150	25	261	76	48
32	68	176	36	71	40	97	58	154	194	71	160	25	261	76	48
40	84	210	44	84	51	115	70	174	224	85	180	45	305	95	59
50	97	210	51	84	51	115	75	194	224	89	200	45	305	95	59
63	124	232	64	106	51	115	83	224	224	101	230	45	305	95	59








Ball valve type 230 PVC-U DA (Double acting) Without manual override With solvent cement sockets metric




Model:

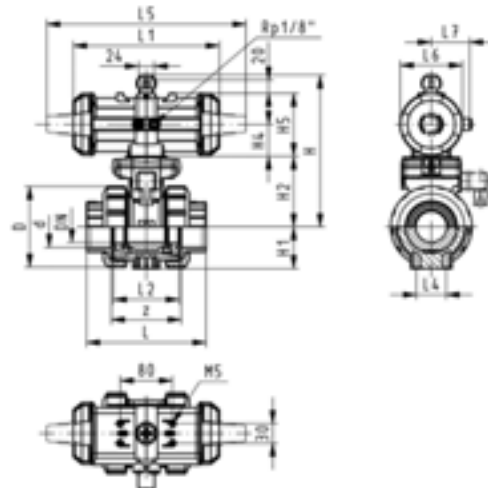
- For easy installation and removal
- Integrated stainless steel mounting inserts
- Control time 90° < 1-2 s
- Image and drawing DN65-100 please see **"New product ball valve DN65-100"**
- Assignment of actuators: PA11 (DN10/15-25), PA21 (DN32-50), PA35 (DN65), PA40 (DN80), PA45 (DN100)

Option:

- Individual configuration of the valve (see form)

d [mm]	DN [mm]	PN	kv-value ($\Delta p=1$ bar) [l/min]	EPDM Code	FPM Code	kg
16	10	10	70	199 230 202	199 230 212	1.159
20	15	10	185	199 230 203	199 230 213	1.159
25	20	10	350	199 230 204	199 230 214	1.276
32	25	10	700	199 230 205	199 230 215	1.400
40	32	10	1000	199 230 206	199 230 216	2.451
50	40	10	1600	199 230 207	199 230 217	2.773
63	50	10	3100	199 230 208	199 230 218	3.631
 75	65	10	5000	199 230 209	199 230 219	3.100
 90	80	10	7000	199 230 210	199 230 220	4.500
 110	100	10	11000	199 230 211	199 230 221	5.900

d [mm]	D [mm]	H [mm]	H1 [mm]	H2 [mm]	H4 [mm]	H5 [mm]	L [mm]	L1 [mm]	L2 [mm]	L4 [mm]	L5 [mm]	L6 [mm]	L7 [mm]	z [mm]
16	50	167	27	62	40	97	92	194	56	25	261	76	48	64
20	50	167	27	62	40	97	95	194	56	25	261	76	48	64
25	58	176	30	71	40	97	110	194	65	25	261	76	48	72
32	68	176	36	71	40	97	123	194	71	25	261	76	48	79
40	84	210	44	84	51	115	146	224	85	45	305	95	59	94
50	97	210	51	84	51	115	157	224	89	45	305	95	59	95
63	124	232	64	106	51	115	183	224	101	45	305	95	59	107
 75	166	257	85	156		66	233	144	136	70	190	60		144
 90	200	274	105	168		70	254	152	141	70	198	65		151
 110	238	273	123	175		78	301	169	164	120	235	72		174








Ball valve type 230 PVC-U DA (Double acting) Without manual override With solvent cement spigots metric




Model:

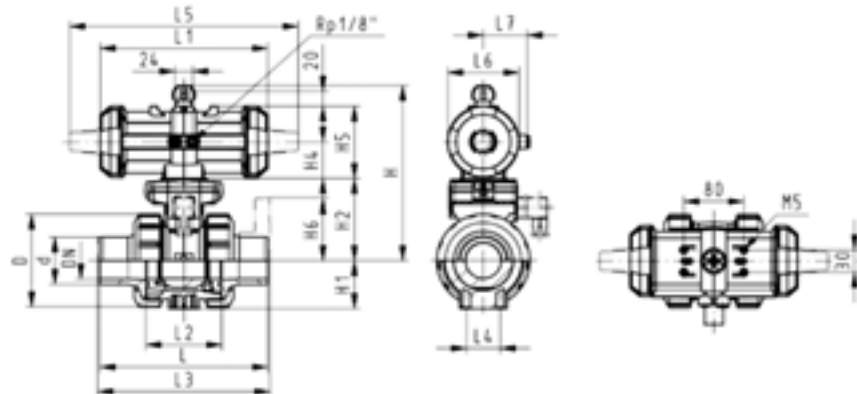
- For easy installation and removal
- Integrated stainless steel mounting inserts
- Control time $90^\circ <$ 1-2 s
- Image and drawing DN65-100 please see **"New product ball valve DN65-100"**
- Assignment of actuators: PA11 (DN10/15-25), PA21 (DN32-50), PA35 (DN65), PA40 (DN80), PA45 (DN100)

Option:

- Individual configuration of the valve (see form)

d [mm]	DN [mm]	PN	kv-value ($\Delta p=1$ bar) [l/min]	EPDM Code	FPM Code	kg
16	10	10	70	199 230 222	199 230 232	1.159
20	15	10	185	199 230 223	199 230 233	1.159
25	20	10	350	199 230 224	199 230 234	1.276
32	25	10	700	199 230 225	199 230 235	1.400
40	32	10	1000	199 230 226	199 230 236	2.451
50	40	10	1600	199 230 227	199 230 237	2.773
63	50	10	3100	199 230 228	199 230 238	3.631
 75	65	10	5000	199 230 229	199 230 239	3.300
 90	80	10	7000	199 230 230	199 230 240	4.700
 110	100	10	11000	199 230 231	199 230 241	6.200

d [mm]	D [mm]	H [mm]	H1 [mm]	H2 [mm]	H4 [mm]	H5 [mm]	L [mm]	L1 [mm]	L2 [mm]	L3 [mm]	L4 [mm]	L5 [mm]	L6 [mm]	L7 [mm]
16	50	167	27	62	40	97	114	194	56	0	25	261	76	48
20	50	167	27	62	40	97	124	194	56	130	25	261	76	48
25	58	176	30	71	40	97	144	194	65	150	25	261	76	48
32	68	176	36	71	40	97	154	194	71	160	25	261	76	48
40	84	210	44	84	51	115	174	224	85	180	45	305	95	59
50	97	210	51	84	51	115	194	224	89	200	45	305	95	59
63	124	232	64	106	51	115	224	224	101	230	45	305	95	59
 75	166	257	85	156		66	284	144	136	290	70	190	60	
 90	200	274	105	168		70	300	152	141	310	70	198	65	
 110	238	273	123	175		78	340	169	164	350	120	235	72	





Ball valve type 230 PVC-U DA (Double acting) Without manual override With threaded sockets Rp

Model:

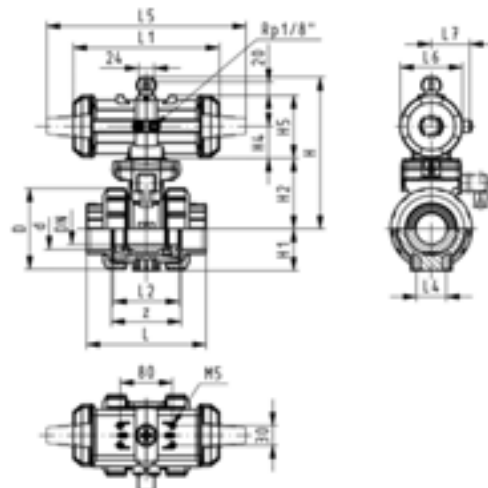
- For easy installation and removal
- Integrated stainless steel mounting inserts
- Control time 90°<) 1-2 s
- Image and drawing DN65-100 please see **"New product ball valve DN65-100"**
- Assignment of actuators: PA11 (DN10/15-25), PA21 (DN32-50), PA35 (DN65), PA40 (DN80), PA45 (DN100)

Option:

- Individual configuration of the valve (see form)

Rp [inch]	DN [mm]	PN	kv-value ($\Delta p=1$ bar) [l/min]	EPDM Code	FPM Code	kg
3/8	10	10	70	199 230 712	199 230 732	1.200
1/2	15	10	185	199 230 713	199 230 733	1.200
3/4	20	10	350	199 230 714	199 230 734	1.300
1	25	10	700	199 230 715	199 230 735	1.400
1 1/4	32	10	1000	199 230 716	199 230 736	2.500
1 1/2	40	10	1600	199 230 717	199 230 737	2.800
2	50	10	3100	199 230 718	199 230 738	3.700
2 1/2	65	10	5000	199 230 719	199 230 739	3.200
3	80	10	7000	199 230 720	199 230 740	4.700
4	100	10	11000	199 230 721	199 230 741	6.000

Rp [inch]	D [mm]	H [mm]	H1 [mm]	H2 [mm]	H4 [mm]	H5 [mm]	L [mm]	L1 [mm]	L2 [mm]	L4 [mm]	L5 [mm]	L6 [mm]	L7 [mm]	z [mm]
3/8	50	167	27	62	40	97	92	194	56	25	261	76	48	64
1/2	50	167	27	62	40	97	95	194	56	25	261	76	48	64
3/4	58	176	30	71	40	97	110	194	65	25	261	76	48	72
1	68	176	36	71	40	97	123	194	71	25	261	76	48	79
1 1/4	84	210	44	84	51	115	146	224	85	45	305	95	59	94
1 1/2	97	210	51	84	51	115	157	224	89	45	305	95	59	95
2	124	232	64	106	51	115	183	224	101	45	305	95	59	107
2 1/2	166	257	85	156		66	233	144	136	70	190	60		144
3	200	274	105	168		70	254	152	141	70	198	65		151
4	238	273	123	175		78	301	169	164	120	235	72		174





Ball valve type 230 PVC-U DA (Double acting) Without manual override With fixed flanges metric

Model:

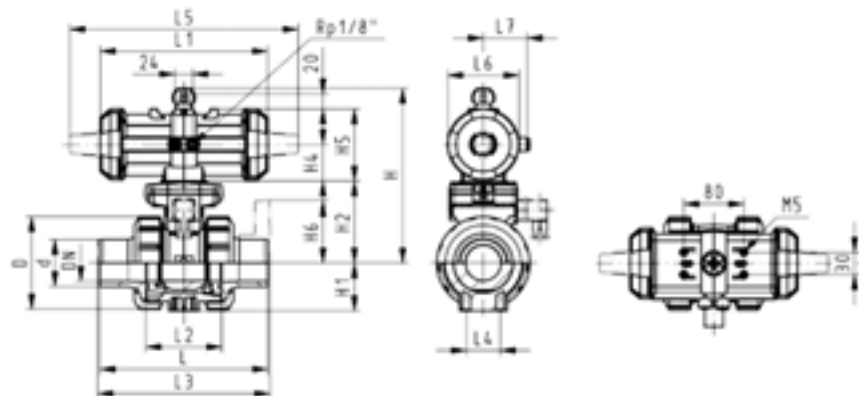
- For easy installation and removal
- Integrated stainless steel mounting inserts
- Control time $90^\circ <$ 1-2 s
- Built on with pneumatic actuator PA11 (DN10/15-25), PA21 (DN32-50)
- Overall length according to EN 558
- Connecting dimensions: ISO 7005 / EN 1092 / DIN 2501 PN10 / BS4504

Option:

- Individual configuration of the valve (see form)

d [mm]	DN [mm]	Inch	PN	kv-value ($\Delta p=1$ bar) [l/min]	EPDM Code	FPM Code	kg									
20	15	1/2	10	185	199 230 343	199 230 353	1.700									
25	20	3/4	10	350	199 230 344	199 230 354	1.900									
32	25	1	10	700	199 230 345	199 230 355	2.100									
40	32	1 1/4	10	1000	199 230 346	199 230 356	3.400									
50	40	1 1/2	10	1600	199 230 347	199 230 357	3.800									
63	50	2	10	3100	199 230 348	199 230 358	4.900									

d [mm]	D [mm]	H [mm]	H1 [mm]	H2 [mm]	H4 [mm]	H5 [mm]	H6 [mm]	L [mm]	L1 [mm]	L2 [mm]	L3 [mm]	L4 [mm]	L5 [mm]	L6 [mm]	L7 [mm]
20	50	167	27	62	40	97	48	124	194	56	130	25	261	76	48
25	58	176	30	71	40	97	53	144	194	65	150	25	261	76	48
32	68	176	36	71	40	97	58	154	194	71	160	25	261	76	48
40	84	210	44	84	51	115	70	174	224	85	180	45	305	95	59
50	97	210	51	84	51	115	75	194	224	89	200	45	305	95	59
63	124	232	64	106	51	115	83	224	224	101	230	45	305	95	59





3-Way ball valve type 275 PVC-U Horizontal/L-port FC (Fail safe to close) Without manual override With solvent cement sockets metric

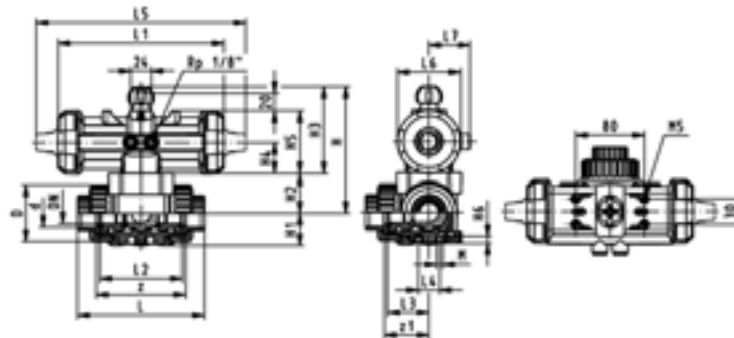
Model:

- Built on with pneumatic actuator PA11 (DN10/15-25), PA21 (DN32-50)
- Actuator fails safe to the closed position FC
- Control time $90^\circ <$ 1-3 s
- For easy installation and removal
- Integrated stainless steel mounting inserts

d [mm]	DN [mm]	PN	kv-value ($\Delta p=1$ bar) [l/min]	EPDM Code	FPM Code	kg
16	10	10	50	199 275 022	199 275 032	1.114
20	15	10	75	199 275 023	199 275 033	1.114
25	20	10	150	199 275 024	199 275 034	1.296
32	25	10	280	199 275 025	199 275 035	1.467
40	32	10	480	199 275 026	199 275 036	2.484
50	40	10	620	199 275 027	199 275 037	3.028
63	50	10	1230	199 275 028	199 275 038	4.397

d [mm]	D [mm]	H [mm]	H1 [mm]	H2 [mm]	H3 [mm]	H4 [mm]	H5 [mm]	H6 [mm]	L [mm]	L1 [mm]	L2 [mm]	L3 [mm]	L4 [mm]	L5 [mm]	L6 [mm]
16	45	136	29	31	105	40	77	8	108	194	72	36	25	261	73
20	45	136	29	31	105	40	77	8	111	194	72	36	25	261	73
25	53	144	33	39	105	40	77	8	131	194	86	43	25	261	73
32	65	149	38	44	105	40	77	8	148	194	96	48	25	261	73
40	78	177	44	50	127	51	99	9	176	224	116	58	45	305	94
50	92	190	50	63	127	51	99	9	206	224	137	69	45	305	94
63	116	203	61	76	127	51	99	9	262	224	179	90	45	305	94

d [mm]	L7 [mm]	M	z [mm]	z1 [mm]
16	48	6	80	40
20	48	6	80	40
25	48	6	94	47
32	48	6	104	52
40	59	8	126	63
50	59	8	144	72
63	59	8	186	93





3-Way ball valve type 275 PVC-U Horizontal/L-port FC (Fail safe to close) Without manual override With solvent cement spigots metric

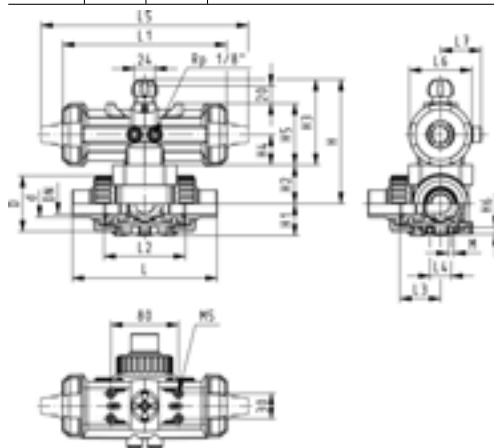
Model:

- Built on with pneumatic actuator PA11 (DN10/15-25), PA21 (DN32-50)
- Actuator fails safe to the closed position FC
- Control time 90°<) 1-3 s
- For easy installation and removal
- Integrated stainless steel mounting inserts

d [mm]	DN [mm]	PN	kv-value ($\Delta p=1$ bar) [l/min]	EPDM Code	FPM Code	kg
16	10	10	50	199 275 002	199 275 012	1.114
20	15	10	75	199 275 003	199 275 013	1.114
25	20	10	150	199 275 004	199 275 014	1.296
32	25	10	280	199 275 005	199 275 015	1.467
40	32	10	480	199 275 006	199 275 016	2.484
50	40	10	620	199 275 007	199 275 017	3.028
63	50	10	1230	199 275 008	199 275 018	4.397

d [mm]	D [mm]	H [mm]	H1 [mm]	H2 [mm]	H3 [mm]	H4 [mm]	H5 [mm]	H6 [mm]	L [mm]	L1 [mm]	L2 [mm]	L3 [mm]	L4 [mm]	L5 [mm]	L6 [mm]
16	45	136	29	31	105	40	77	8	124	194	72	36	25	261	73
20	45	136	29	31	105	40	77	8	134	194	72	36	25	261	73
25	53	144	33	39	105	40	77	8	156	194	86	43	25	261	73
32	65	149	38	44	105	40	77	8	172	194	96	48	25	261	73
40	78	177	44	50	127	51	99	9	202	224	116	58	45	305	94
50	92	190	50	63	127	51	99	9	238	224	137	69	45	305	94
63	116	203	61	76	127	51	99	9	290	224	179	90	45	305	94

d [mm]	L7 [mm]	M
16	48	6
20	48	6
25	48	6
32	48	6
40	59	8
50	59	8
63	59	8





3-Way ball valve type 275 PVC-U Horizontal/L-port DA (Double acting) Without manual override With solvent cement sockets metric

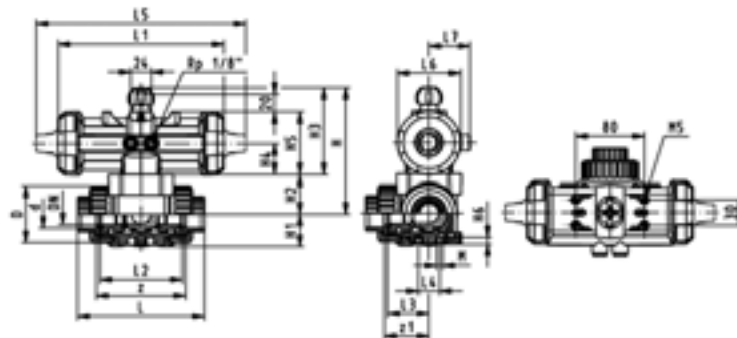
Model:

- Built on with pneumatic actuator PA11 (DN10/15-25), PA21 (DN32-50)
- Control time 90°<) 1-3 s
- For easy installation and removal
- Integrated stainless steel mounting inserts

d [mm]	DN [mm]	PN	kv-value ($\Delta p=1$ bar) [l/min]	EPDM Code	FPM Code	kg
16	10	10	50	199 275 202	199 275 212	0.924
20	15	10	75	199 275 203	199 275 213	0.924
25	20	10	150	199 275 204	199 275 214	1.106
32	25	10	280	199 275 205	199 275 215	1.277
40	32	10	480	199 275 206	199 275 216	2.060
50	40	10	620	199 275 207	199 275 217	2.604
63	50	10	1230	199 275 208	199 275 218	3.973

d [mm]	D [mm]	H [mm]	H1 [mm]	H2 [mm]	H3 [mm]	H4 [mm]	H5 [mm]	H6 [mm]	L [mm]	L1 [mm]	L2 [mm]	L3 [mm]	L4 [mm]	L5 [mm]	L6 [mm]
16	45	136	29	31	105	40	77	8	108	194	72	36	25	261	73
20	45	136	29	31	105	40	77	8	111	194	72	36	25	261	73
25	53	144	33	39	105	40	77	8	131	194	86	43	25	261	73
32	65	149	38	44	105	40	77	8	148	194	96	48	25	261	73
40	78	177	44	50	127	51	99	9	176	224	116	58	45	305	94
50	92	190	50	63	127	51	99	9	206	224	137	69	45	305	94
63	116	203	61	76	127	51	99	9	262	224	179	90	45	305	94

d [mm]	L7 [mm]	M	z [mm]	z1 [mm]
16	48	6	80	40
20	48	6	80	40
25	48	6	94	47
32	48	6	104	52
40	59	8	126	63
50	59	8	144	72
63	59	8	186	93





3-Way ball valve type 275 PVC-U Horizontal/L-port DA (Double acting) Without manual override With solvent cement spigots metric

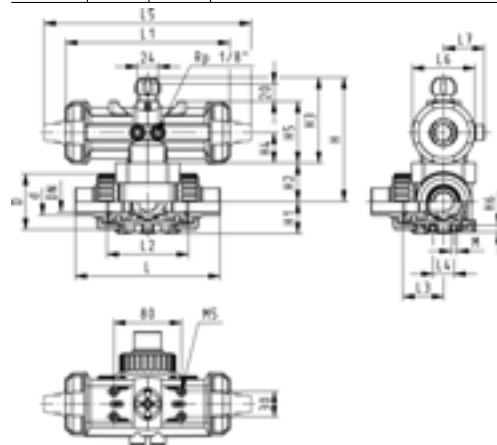
Model:

- Built on with pneumatic actuator PA11 (DN10/15-25), PA21 (DN32-50)
- Control time 90°<) 1-3 s
- For easy installation and removal
- Integrated stainless steel mounting inserts

d [mm]	DN [mm]	PN	kv-value ($\Delta p=1$ bar) [l/min]	EPDM Code	FPM Code	kg
16	10	10	50	199 275 182	199 275 192	0.924
20	15	10	75	199 275 183	199 275 193	0.924
25	20	10	150	199 275 184	199 275 194	1.106
32	25	10	280	199 275 185	199 275 195	1.277
40	32	10	480	199 275 186	199 275 196	2.060
50	40	10	620	199 275 187	199 275 197	2.604
63	50	10	1230	199 275 188	199 275 198	3.973

d [mm]	D [mm]	H [mm]	H1 [mm]	H2 [mm]	H3 [mm]	H4 [mm]	H5 [mm]	H6 [mm]	L [mm]	L1 [mm]	L2 [mm]	L3 [mm]	L4 [mm]	L5 [mm]	L6 [mm]
16	45	136	29	31	105	40	77	8	124	194	72	36	25	261	73
20	45	136	29	31	105	40	77	8	134	194	72	36	25	261	73
25	53	144	33	39	105	40	77	8	156	194	86	43	25	261	73
32	65	149	38	44	105	40	77	8	172	194	96	48	25	261	73
40	78	177	44	50	127	51	99	9	202	224	116	58	45	305	94
50	92	190	50	63	127	51	99	9	238	224	137	69	45	305	94
63	116	203	61	76	127	51	99	9	290	224	179	90	45	305	94

d [mm]	L7 [mm]	M
16	48	6
20	48	6
25	48	6
32	48	6
40	59	8
50	59	8
63	59	8





3-Way ball valve type 275 PVC-U Horizontal/T-port FC (Fail safe to close) Without manual override With solvent cement sockets metric

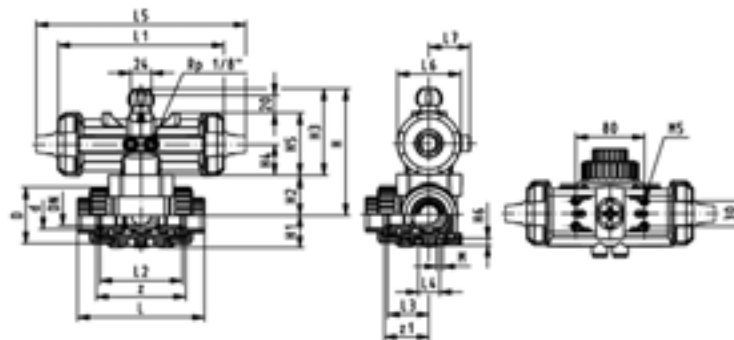
Model:

- Built on with pneumatic actuator PA11 (DN10/15-25), PA21 (DN32-50)
- Actuator fails safe to the closed position FC
- For easy installation and removal
- Control time 90° < 1-3 s
- Integrated stainless steel mounting inserts

d [mm]	DN [mm]	PN	kv-value ($\Delta p=1$ bar) [l/min]	EPDM Code	FPM Code	kg
16	10	10	140	199 275 062	199 275 072	1.114
20	15	10	200	199 275 063	199 275 073	1.114
25	20	10	470	199 275 064	199 275 074	1.296
32	25	10	793	199 275 065	199 275 075	1.467
40	32	10	1290	199 275 066	199 275 076	2.484
50	40	10	1910	199 275 067	199 275 077	3.028
63	50	10	3100	199 275 068	199 275 078	4.397

d [mm]	D [mm]	H [mm]	H1 [mm]	H2 [mm]	H3 [mm]	H4 [mm]	H5 [mm]	H6 [mm]	L [mm]	L1 [mm]	L2 [mm]	L3 [mm]	L4 [mm]	L5 [mm]	L6 [mm]
16	45	136	29	31	105	40	77	8	108	194	72	36	25	261	73
20	45	136	29	31	105	40	77	8	111	194	72	36	25	261	73
25	53	144	33	39	105	40	77	8	131	194	86	43	25	261	73
32	65	149	38	44	105	40	77	8	148	194	96	48	25	261	73
40	78	177	44	50	127	51	99	9	176	224	116	58	45	305	94
50	92	190	50	63	127	51	99	9	206	224	137	69	45	305	94
63	116	203	61	76	127	51	99	9	262	224	179	90	45	305	94

d [mm]	L7 [mm]	M	z [mm]	z1 [mm]
16	48	6	80	40
20	48	6	80	40
25	48	6	94	47
32	48	6	104	52
40	59	8	126	63
50	59	8	144	72
63	59	8	186	93





3-Way ball valve type 275 PVC-U
Horizontal/T-port FC (Fail safe to close)
Without manual override
With solvent cement spigots metric

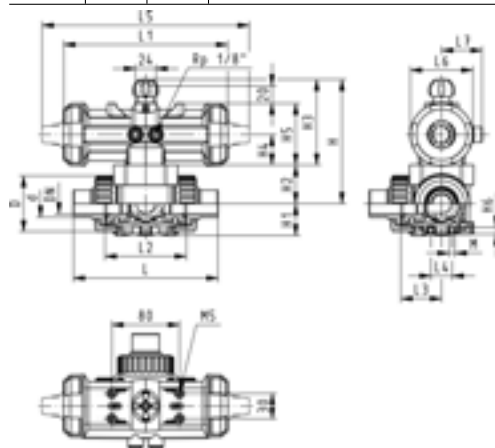
Model:

- Built on with pneumatic actuator PA11 (DN10/15-25), PA21 (DN32-50)
- Actuator fails safe to the closed position FC
- For easy installation and removal
- Control time 90°<) 1-3 s
- Integrated stainless steel mounting inserts

d [mm]	DN [mm]	PN	kv-value ($\Delta p=1$ bar) [l/min]	EPDM Code	FPM Code	kg
16	10	10	140	199 275 042	199 275 052	1.114
20	15	10	200	199 275 043	199 275 053	1.114
25	20	10	470	199 275 044	199 275 054	1.296
32	25	10	793	199 275 045	199 275 055	1.467
40	32	10	1290	199 275 046	199 275 056	2.484
50	40	10	1910	199 275 047	199 275 057	3.028
63	50	10	3100	199 275 048	199 275 058	4.397

d [mm]	D [mm]	H [mm]	H1 [mm]	H2 [mm]	H3 [mm]	H4 [mm]	H5 [mm]	H6 [mm]	L [mm]	L1 [mm]	L2 [mm]	L3 [mm]	L4 [mm]	L5 [mm]	L6 [mm]
16	45	136	29	31	105	40	77	8	124	194	72	36	25	261	73
20	45	136	29	31	105	40	77	8	134	194	72	36	25	261	73
25	53	144	33	39	105	40	77	8	156	194	86	43	25	261	73
32	65	149	38	44	105	40	77	8	172	194	96	48	25	261	73
40	78	177	44	50	127	51	99	9	202	224	116	58	45	305	94
50	92	190	50	63	127	51	99	9	238	224	137	69	45	305	94
63	116	203	61	76	127	51	99	9	290	224	179	90	45	305	94

d [mm]	L7 [mm]	M
16	48	6
20	48	6
25	48	6
32	48	6
40	59	8
50	59	8
63	59	8





3-Way ball valve type 275 PVC-U Horizontal/T-port DA (Double acting) Without manual override With solvent cement sockets metric

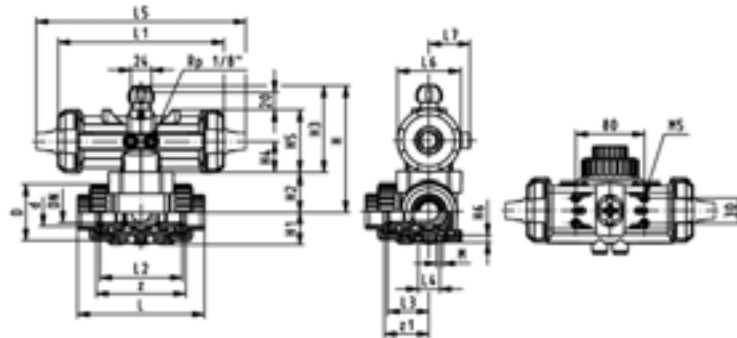
Model:

- Built on with pneumatic actuator PA11 (DN10/15-25), PA21 (DN32-50)
- Control time 90° < 1-3 s
- For easy installation and removal
- Integrated stainless steel mounting inserts

d [mm]	DN [mm]	PN	kv-value ($\Delta p=1$ bar) [l/min]	EPDM Code	FPM Code	kg
16	10	10	140	199 275 242	199 275 252	0.924
20	15	10	200	199 275 243	199 275 253	0.924
25	20	10	470	199 275 244	199 275 254	1.106
32	25	10	793	199 275 245	199 275 255	1.277
40	32	10	1290	199 275 246	199 275 256	2.060
50	40	10	1910	199 275 247	199 275 257	2.604
63	50	10	3100	199 275 248	199 275 258	3.973

d [mm]	D [mm]	H [mm]	H1 [mm]	H2 [mm]	H3 [mm]	H4 [mm]	H5 [mm]	H6 [mm]	L [mm]	L1 [mm]	L2 [mm]	L3 [mm]	L4 [mm]	L5 [mm]	L6 [mm]
16	45	136	29	31	105	40	77	8	108	194	72	36	25	261	73
20	45	136	29	31	105	40	77	8	111	194	72	36	25	261	73
25	53	144	33	39	105	40	77	8	131	194	86	43	25	261	73
32	65	149	38	44	105	40	77	8	148	194	96	48	25	261	73
40	78	177	44	50	127	51	99	9	176	224	116	58	45	305	94
50	92	190	50	63	127	51	99	9	206	224	137	69	45	305	94
63	116	203	61	76	127	51	99	9	262	224	179	90	45	305	94

d [mm]	L7 [mm]	M	z [mm]	z1 [mm]
16	48	6	80	40
20	48	6	80	40
25	48	6	94	47
32	48	6	104	52
40	59	8	126	63
50	59	8	144	72
63	59	8	186	93





3-Way ball valve type 275 PVC-U Horizontal/T-port DA (Double acting) Without manual override With solvent cement spigots metric

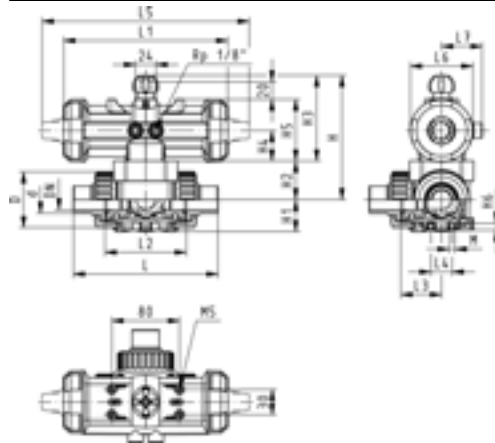
Model:

- Built on with pneumatic actuator PA11 (DN10/15-25), PA21 (DN32-50)
- Control time $90^\circ <$ 1-3 s
- For easy installation and removal
- Integrated stainless steel mounting inserts

d [mm]	DN [mm]	PN	kv-value ($\Delta p=1$ bar) [l/min]	EPDM Code	FPM Code	kg
16	10	10	140	199 275 222	199 275 232	0.924
20	15	10	200	199 275 223	199 275 233	0.924
25	20	10	470	199 275 224	199 275 234	1.106
32	25	10	793	199 275 225	199 275 235	1.277
40	32	10	1290	199 275 226	199 275 236	2.060
50	40	10	1910	199 275 227	199 275 237	2.604
63	50	10	3100	199 275 228	199 275 238	3.973

d [mm]	D [mm]	H [mm]	H1 [mm]	H2 [mm]	H3 [mm]	H4 [mm]	H5 [mm]	H6 [mm]	L [mm]	L1 [mm]	L2 [mm]	L3 [mm]	L4 [mm]	L5 [mm]	L6 [mm]
16	45	136	29	31	105	40	77	8	124	194	72	36	25	261	73
20	45	136	29	31	105	40	77	8	134	194	72	36	25	261	73
25	53	144	33	39	105	40	77	8	156	194	86	43	25	261	73
32	65	149	38	44	105	40	77	8	172	194	96	48	25	261	73
40	78	177	44	50	127	51	99	9	202	224	116	58	45	305	94
50	92	190	50	63	127	51	99	9	238	224	137	69	45	305	94
63	116	203	61	76	127	51	99	9	290	224	179	90	45	305	94

d [mm]	L7 [mm]	M
16	48	6
20	48	6
25	48	6
32	48	6
40	59	8
50	59	8
63	59	8



Diaphragm valves pneumatic

Diaphragm valve type DIASTAR PVC-U Series 025 FC (Fail safe to close)

Unions with solvent cement sockets metric

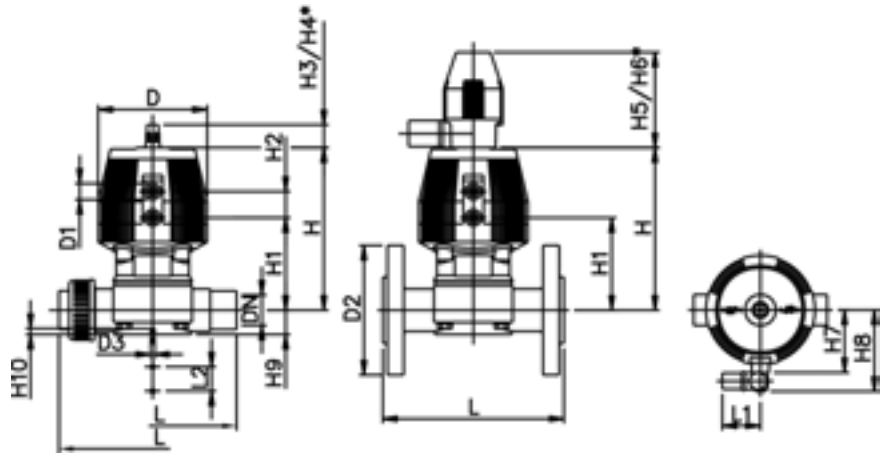
- With position indicator / Working pressure: both sides



d [mm]	DN [mm]	PN	kv-value ($\Delta p=1$ bar) [l/min]	EPDM Code	PTFE/EPDM Code	kg
20	15	10	72	199 025 061	199 025 091	0.800
25	20	10	120	199 025 062	199 025 092	1.000
32	25	10	238	199 025 063	199 025 093	1.700
40	32	10	341	199 025 064	199 025 094	3.100
50	40	10	460	199 025 065	199 025 095	4.700
63	50	10	685	199 025 066	199 025 096	5.800

d [mm]	D [mm]	D1_G [inch]	D3[M] [mm]	L [mm]	L1 [mm]	L2 [mm]	H [mm]	H1 [mm]	H2 [mm]	H3 [mm]	H4 [mm]	H5 [mm]	H6 [mm]	H7 [mm]
20	96	1/8	6	128	60	25	128	69	25	23	44	100	155	56
25	96	1/8	6	152	60	25	130	71	25	23	44	100	155	56
32	120	1/8	6	166	60	25	166	93	26	36	64	100	155	68
40	150	1/4	8	192	60	45	201	106	36	36	64	100	160	85
50	180	1/4	8	222	60	45	233	119	37	36	64	100	170	101
63	180	1/4	8	266	60	45	247	133	37	36	64	100	170	101

d [mm]	H8 [mm]	H9 [mm]	H10 [mm]	Lift = Hx [mm]
20	86	14	12	8
25	88	18	12	10
32	100	21	12	12
40	117	26	15	14
50	133	33	15	18
63	133	39	15	22





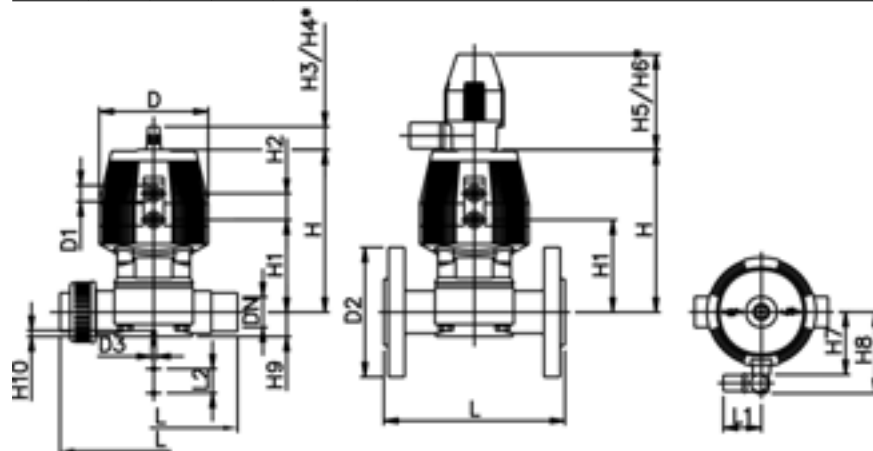
Diaphragm valve type DIASTAR PVC-U Series 025 FC (Fail safe to close) With solvent cement spigots metric

- With position indicator / Working pressure: **both sides**

d [mm]	DN [mm]	PN	kv-value ($\Delta p=1$ bar) [l/min]	EPDM Code	PTFE/EPDM Code	kg
20	15	10	72	199 025 001	199 025 031	1.200
25	20	10	120	199 025 002	199 025 032	0.891
32	25	10	238	199 025 003	199 025 033	2.200
40	32	10	341	199 025 004	199 025 034	2.766
50	40	10	460	199 025 005	199 025 035	4.456
63	50	10	685	199 025 006	199 025 036	6.100

d [mm]	D [mm]	D1_G [inch]	D3[M] [mm]	L [mm]	L1 [mm]	L2 [mm]	H [mm]	H1 [mm]	H2 [mm]	H3 [mm]	H4 [mm]	H5 [mm]	H6 [mm]	H7 [mm]
20	96	1/8	6	124	60	25	128	69	25	23	44	100	155	56
25	96	1/8	6	144	60	25	130	71	25	23	44	100	155	56
32	120	1/8	6	154	60	25	166	93	26	36	64	100	155	68
40	150	1/8	8	174	60	45	201	106	36	36	64	100	160	85
50	180	1/4	8	194	60	45	233	119	37	36	64	100	170	101
63	180	1/4	8	224	60	45	247	133	37	36	64	100	170	101

d [mm]	H8 [mm]	H9 [mm]	H10 [mm]	Lift = Hx [mm]
20	86	14	12	8
25	88	18	12	10
32	100	21	12	12
40	117	26	15	14
50	133	33	15	18
63	133	39	15	22





Diaphragm valve type DIASTAR PVC-U Series 025 FC (Fail safe to close) With backing flanges PVC-U metric

Model:

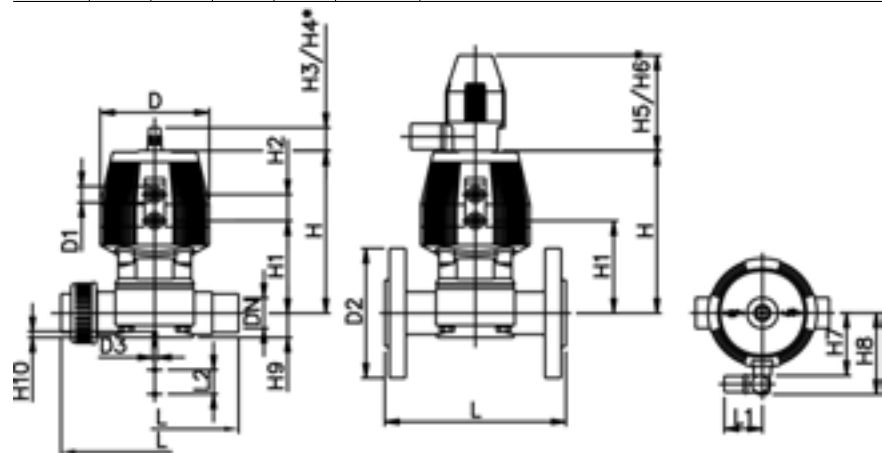
- Connecting dimensions: ISO 7005 / EN 1092 / DIN 2501 PN10 / BS4504

- With position indicator / Working pressure: **both sides**

d [mm]	DN [mm]	Inch	PN	kv-value ($\Delta p=1$ bar) [l/min]	EPDM Code	PTFE/EPDM Code	kg
20	15	1/2	10	72	199 025 121	199 025 151	0.810
25	20	3/4	10	120	199 025 122	199 025 152	0.891
32	25	1	10	238	199 025 123	199 025 153	1.632
40	32	1 1/4	10	341	199 025 124	199 025 154	2.766
50	40	1 1/2	10	460	199 025 125	199 025 155	4.456
63	50	2	10	685	199 025 126	199 025 156	5.031

d [mm]	D [mm]	D1_G [inch]	D2 [mm]	D3[M] [mm]	L [mm]	L1 [mm]	L2 [mm]	H [mm]	H1 [mm]	H2 [mm]	H3 [mm]	H4 [mm]	H5 [mm]	H6 [mm]
20	96	1/8	95	6	130	60	25	128	69	25	23	44	100	155
25	96	1/8	105	6	150	60	25	130	71	25	23	44	100	155
32	120	1/8	115	6	160	60	25	166	93	26	36	64	100	155
40	150	1/4	140	8	180	60	45	201	106	36	36	64	100	160
50	180	1/4	150	8	200	60	45	233	119	37	36	64	100	170
63	180	1/4	165	8	230	60	45	247	133	37	36	64	100	170

d [mm]	H7 [mm]	H8 [mm]	H9 [mm]	H10 [mm]	Lift = Hx [mm]
20	56	86	14	12	8
25	56	88	18	12	10
32	68	100	21	12	12
40	85	117	26	15	14
50	101	133	33	15	18
63	101	133	39	15	22





Diaphragm valve type DIASTAR PVC-U Series 025 FC (Fail safe to close) With fixed flanges PVC-U metric

Model:

- Connecting dimensions: ISO 7005 / EN 1092 / DIN 2501 PN10 / BS4504
- With position indicator / Working pressure: **one side**

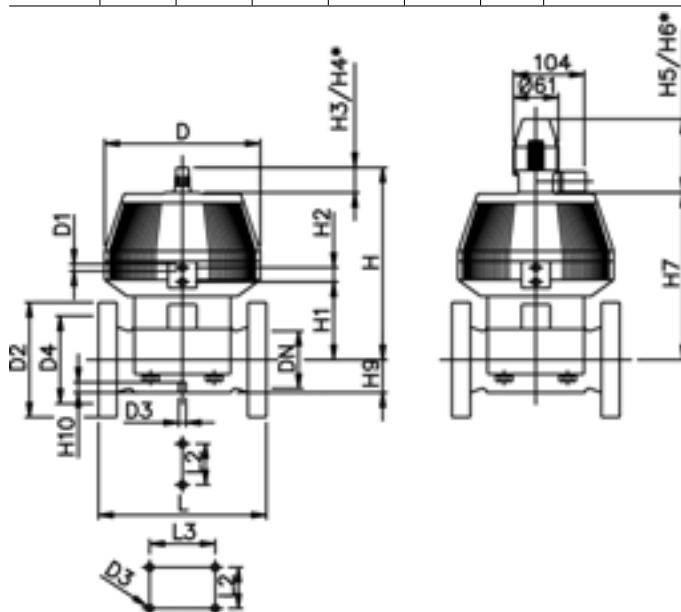
* with backing flanges PVC-U metric

** Connecting dimensions DN80 and DN150 metric and Inch ANSI B16.5

d [mm]	DN [mm]	Inch	PN	kv-value ($\Delta p=1$ bar) [l/min]	EPDM Code	PTFE/EPDM Code	kg
*75	65	2 ½	10	992	199 025 127	199 025 157	13.600
**90	80	3	10	1700	199 025 128	199 025 158	17.400
110	100	4	8	2700	199 025 129	199 025 159	24.700
**160	150	6	6	6033	199 025 130	-	35.000

d [mm]	D [mm]	D1_G [inch]	D2 [mm]	D3[M] [mm]	D4 [mm]	L [mm]	L2 [mm]	L3 [mm]	H [mm]	H1 [mm]	H2 [mm]	H3 [mm]
*75	280	¼	185	8	145	290	70		344	148	24	46
**90	280	¼	200	12	160	310	120		348	150	24	46
110	335	¼	225	12	180	350	120		395	176	24	46
**160	335	¼	285	12	240	480	100	200	455	237	24	46

d [mm]	H4 [mm]	H5 [mm]	H6 [mm]	H7 [mm]	H9 [mm]	H10 [mm]
*75	100	129	195	298	46	15
**90	100	129	195	302	57	15
110	100	129	195	349	69	20
**160	100	129	195	409	108	20





Diaphragm valve type DIASTAR PVC-U Series 028 FC (Fail safe to close) Unions with solvent cement sockets metric

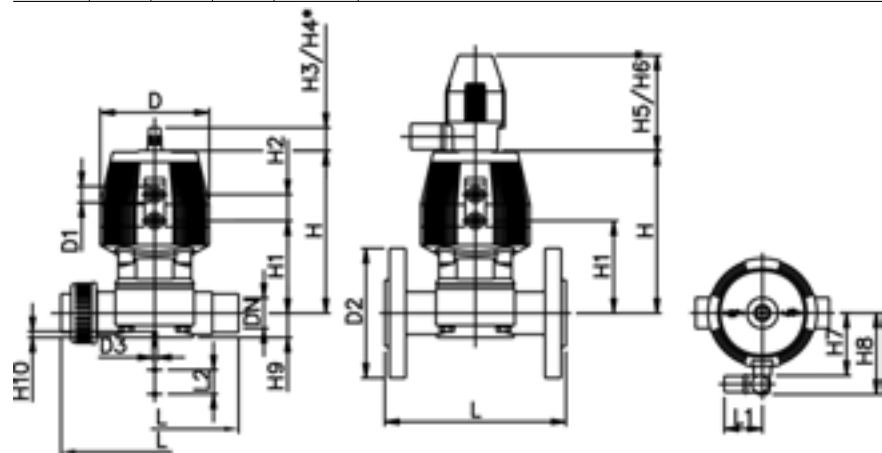
- With position indicator / Working pressure: **one side**

*PN: EPDM/PTFE

d [mm]	DN [mm]	PN [bar]		kv-value ($\Delta p=1$ bar) [l/min]	EPDM Code	PTFE/EPDM Code	kg
20	15	10 / 5	*	72	199 028 061	199 028 091	0.530
25	20	10 / 7	*	120	199 028 062	199 028 092	1.000
32	25	10 / 7	*	238	199 028 063	199 028 093	1.390
40	32	10 / 7	*	341	199 028 064	199 028 094	1.870
50	40	10 / 7	*	460	199 028 065	199 028 095	4.100
63	50	10 / 7	*	685	199 028 066	199 028 096	3.880

d [mm]	D [mm]	D1_G [inch]	D3[M] [mm]	L [mm]	L1 [mm]	L2 [mm]	H [mm]	H1 [mm]	H2 [mm]	H3 [mm]	H4 [mm]	H5 [mm]	H6 [mm]	H7 [mm]
20	68	1/8	6	128	60	25	99	59	24	23	44	100	155	44
25	96	1/8	6	152	60	25	130	71	25	23	44	100	155	56
32	96	1/8	6	166	60	25	143	85	25	23	44	100	155	56
40	120	1/8	8	192	60	45	170	97	26	36	64	100	160	68
50	150	1/4	8	222	60	45	203	108	36	36	64	100	170	85
63	150	1/4	8	266	60	45	220	126	36	36	64	100	170	85

d [mm]	H8 [mm]	H9 [mm]	H10 [mm]	Lift = Hx [mm]
20	76	14	12	8
25	88	18	12	10
32	88	21	12	12
40	100	26	15	14
50	117	33	15	18
63	117	39	15	22





Diaphragm valve type DIASTAR PVC-U Series 028 FC (Fail safe to close) With solvent cement spigots metric

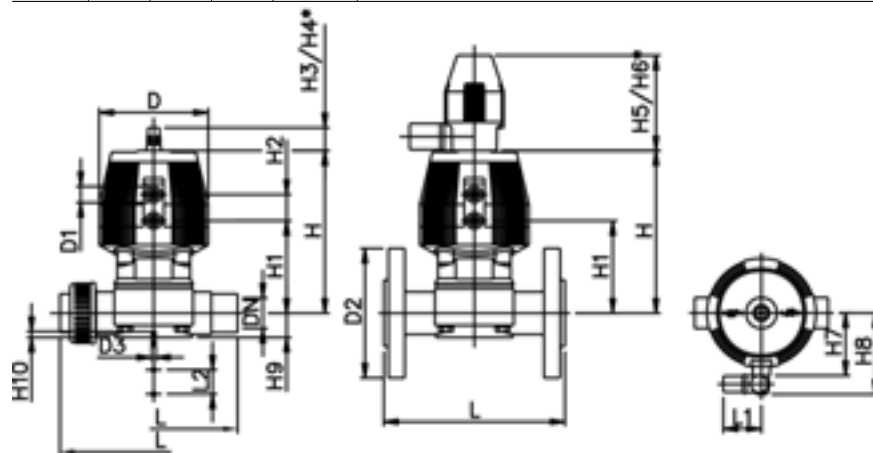
- With position indicator / Working pressure: **one side**

*PN: EPDM/PTFE

d [mm]	DN [mm]	PN [bar]		kv-value ($\Delta p=1$ bar) [l/min]	EPDM Code	PTFE/EPDM Code	kg
20	15	10 / 5	*	72	199 028 001	199 028 031	0.470
25	20	10 / 7	*	120	199 028 002	199 028 032	0.900
32	25	10 / 7	*	238	199 028 003	199 028 033	1.190
40	32	10 / 7	*	341	199 028 004	199 028 034	1.650
50	40	10 / 7	*	460	199 028 005	199 028 035	3.050
63	50	10 / 7	*	685	199 028 006	199 028 036	5.200

d [mm]	D [mm]	D1_G [inch]	D3[M] [mm]	L [mm]	L1 [mm]	L2 [mm]	H [mm]	H1 [mm]	H2 [mm]	H3 [mm]	H4 [mm]	H5 [mm]	H6 [mm]	H7 [mm]
20	68	1/8	6	124	60	25	99	59	24	23	44	100	155	44
25	96	1/8	6	144	60	25	130	71	25	23	44	100	155	56
32	96	1/8	6	154	60	25	143	85	25	23	44	100	155	56
40	120	1/8	8	174	60	45	170	97	26	36	64	100	160	68
50	150	1/4	8	194	60	45	203	108	36	36	64	100	170	85
63	150	1/4	8	224	60	45	220	126	36	36	64	100	170	85

d [mm]	H8 [mm]	H9 [mm]	H10 [mm]	Lift = Hx [mm]
20	76	14	12	8
25	88	18	12	10
32	88	21	12	12
40	100	26	15	14
50	117	33	15	18
63	117	39	15	22





Diaphragm valve type DIASTAR PVC-U Series 028 FC (Fail safe to close) With backing flanges PVC-U metric

Model:

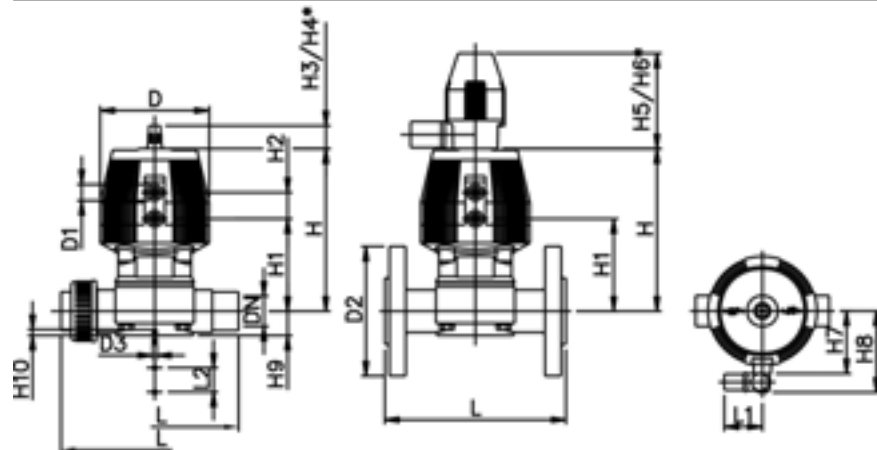
- Connecting dimensions: ISO 7005 / EN 1092 / DIN 2501 PN10 / BS4504
- With position indicator / Working pressure: **one side**

*PN: EPDM/PTFE

d [mm]	DN [mm]	Inch	PN [bar]		kv-value ($\Delta p=1$ bar) [l/min]	EPDM Code	PTFE/EPDM Code	kg	
20	15	½	10 / 5	*	72	199 028 121	199 028 151	0.690	
25	20	¾	10 / 7	*	120	199 028 122	199 028 152	1.100	
32	25	1	10 / 7	*	238	199 028 123	199 028 153	1.470	
40	32	1 ¼	10 / 7	*	341	199 028 124	199 028 154	2.170	
50	40	1 ½	10 / 7	*	460	199 028 125	199 028 155	3.050	
63	50	2	10 / 7	*	685	199 028 126	199 028 156	4.600	

d [mm]	D [mm]	D1_G [inch]	D2 [mm]	D3[M] [mm]	L [mm]	L1 [mm]	L2 [mm]	H [mm]	H1 [mm]	H2 [mm]	H3 [mm]	H4 [mm]	H5 [mm]	H6 [mm]
20	68	⅞	95	6	130	60	25	99	59	24	23	44	100	155
25	96	⅞	105	6	150	60	25	130	71	25	23	44	100	155
32	96	⅞	115	6	160	60	25	143	85	25	23	44	100	155
40	120	⅞	140	8	180	60	45	170	97	26	36	64	100	160
50	150	¼	150	8	200	60	45	203	108	36	36	64	100	170
63	150	¼	165	8	230	60	45	220	126	36	36	64	100	170

d [mm]	H7 [mm]	H8 [mm]	H9 [mm]	H10 [mm]	Lift = Hx [mm]
20	44	76	14	12	8
25	56	88	18	12	10
32	56	88	21	12	12
40	68	100	26	15	14
50	85	117	33	15	18
63	85	117	39	15	22





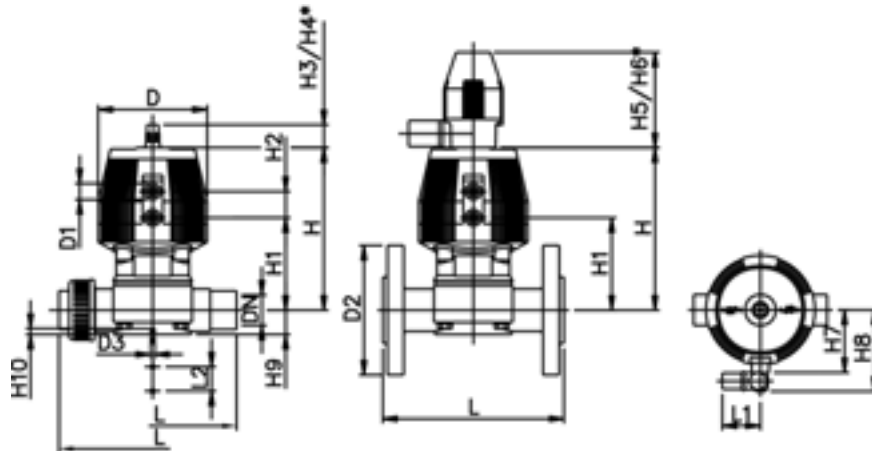
Diaphragm valve type DIASTAR PVC-U Series 025 FO (Fail safe to open) Unions with solvent cement sockets metric

- With position indicator / Working pressure: **both sides**

d [mm]	DN [mm]	PN	kv-value ($\Delta p=1$ bar) [l/min]	EPDM Code	PTFE/EPDM Code	kg
20	15	10	72	199 025 071	199 025 101	0.464
25	20	10	120	199 025 072	199 025 102	0.790
32	25	10	238	199 025 073	199 025 103	1.180
40	32	10	341	199 025 074	199 025 104	1.450
50	40	10	460	199 025 075	199 025 105	2.190
63	50	10	685	199 025 076	199 025 106	3.040

d [mm]	D [mm]	D1_G [inch]	D3[M] [mm]	L [mm]	L1 [mm]	L2 [mm]	H [mm]	H1 [mm]	H2 [mm]	H3 [mm]	H4 [mm]	H5 [mm]	H6 [mm]	H7 [mm]
20	68	1/8	6	128	60	25	99	59	24	23	44	100	155	44
25	96	1/8	6	152	60	25	130	71	25	23	44	100	155	56
32	96	1/8	6	166	60	25	143	85	25	23	44	100	155	56
40	120	1/8	8	192	60	45	170	97	26	36	64	100	160	68
50	150	1/4	8	222	60	45	203	108	36	36	64	100	170	85
63	150	1/4	8	266	60	45	220	126	36	36	64	100	170	85

d [mm]	H8 [mm]	H9 [mm]	H10 [mm]	Lift = Hx [mm]
20	76	14	12	8
25	88	18	12	10
32	88	21	12	12
40	100	26	15	14
50	117	33	15	18
63	117	39	15	22





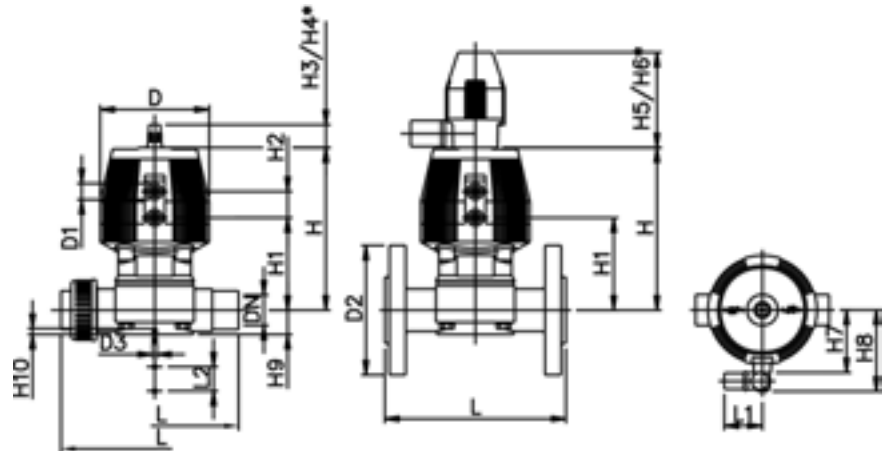
Diaphragm valve type DIASTAR PVC-U Series 025 FO (Fail safe to open) With solvent cement spigots metric

- With position indicator / Working pressure: **both sides**

d [mm]	DN [mm]	PN	kv-value ($\Delta p=1$ bar) [l/min]	EPDM Code	PTFE/EPDM Code	kg
20	15	10	72	199 025 011	199 025 041	0.600
25	20	10	120	199 025 012	199 025 042	0.800
32	25	10	238	199 025 013	199 025 043	1.400
40	32	10	341	199 025 014	199 025 044	2.900
50	40	10	460	199 025 015	199 025 045	4.500
63	50	10	685	199 025 016	199 025 046	5.000

d	D	D1_G	D3[M]	L	L1	L2	H	H1	H2	H3	H4	H5	H6	H7
[mm]	[mm]	[inch]	[mm]	[mm]	[mm]	[mm]	[mm]	[mm]	[mm]	[mm]	[mm]	[mm]	[mm]	[mm]
20	68	1/8	6	124	60	25	99	59	24	23	44	100	155	44
25	96	1/8	6	144	60	25	130	71	25	23	44	100	155	56
32	96	1/8	6	154	60	25	143	85	25	23	44	100	155	56
40	120	1/8	8	174	60	45	170	97	26	36	64	100	160	68
50	150	1/4	8	194	60	45	203	108	36	36	64	100	170	85
63	150	1/4	8	224	60	45	220	126	36	36	64	100	170	85

d	H8	H9	H10	Lift = Hx
[mm]	[mm]	[mm]	[mm]	[mm]
20	76	14	12	8
25	88	18	12	10
32	88	21	12	12
40	100	26	15	14
50	117	33	15	18
63	117	39	15	22





Diaphragm valve type DIASTAR PVC-U Series 025 FO (Fail safe to open) With backing flanges PVC-U metric

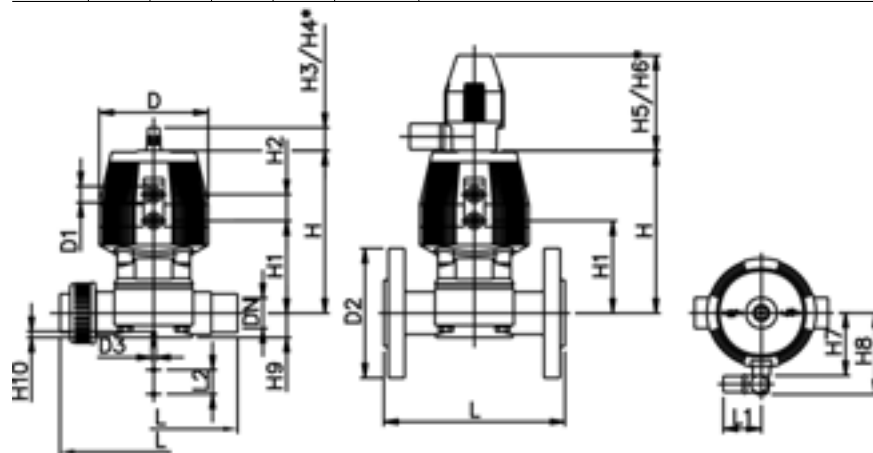
Model:

- Connecting dimensions: ISO 7005 / EN 1092 / DIN 2501 PN10 / BS4504
- With position indicator / Working pressure: **both sides**

d [mm]	DN [mm]	Inch	PN	kv-value ($\Delta p=1$ bar) [l/min]	EPDM Code	PTFE/EPDM Code	kg
20	15	½	10	72	199 025 131	199 025 161	0.597
25	20	¾	10	120	199 025 132	199 025 162	0.890
32	25	1	10	238	199 025 133	199 025 163	1.262
40	32	1 ¼	10	341	199 025 134	199 025 164	1.750
50	40	1 ½	10	460	199 025 135	199 025 165	2.210
63	50	2	10	685	199 025 136	199 025 166	3.760

d [mm]	D [mm]	D1_G [inch]	D2 [mm]	D3[M] [mm]	L [mm]	L1 [mm]	L2 [mm]	H [mm]	H1 [mm]	H2 [mm]	H3 [mm]	H4 [mm]	H5 [mm]	H6 [mm]
20	68	⅞	95	6	130	60	25	99	59	24	23	44	100	155
25	96	⅞	105	6	150	60	25	130	71	25	23	44	100	155
32	96	⅞	115	6	160	60	25	143	85	25	23	44	100	155
40	120	⅞	140	8	180	60	45	170	97	26	36	64	100	160
50	150	¾	150	8	200	60	45	203	108	36	36	64	100	170
63	150	¾	165	8	230	60	45	220	126	36	36	64	100	170

d [mm]	H7 [mm]	H8 [mm]	H9 [mm]	H10 [mm]	Lift = Hx [mm]
20	44	76	14	12	8
25	56	88	18	12	10
32	56	88	21	12	12
40	68	100	26	15	14
50	85	117	33	15	18
63	85	117	39	15	22





Diaphragm valve type DIASTAR PVC-U Series 025 FO (Fail safe to open) With fixed flanges PVC-U metric

Model:

- Connecting dimensions: ISO 7005 / EN 1092 / DIN 2501 PN10 / BS4504
- With position indicator / Working pressure: **one side**

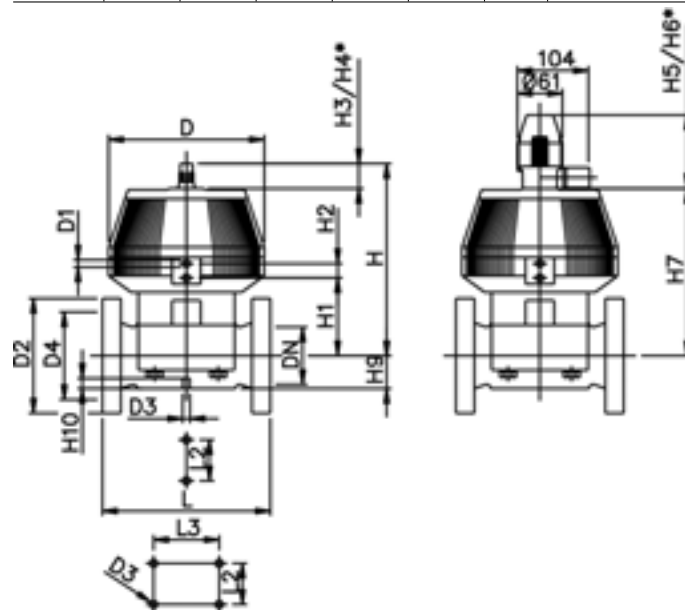
* with backing flanges PVC-U metric

** Connecting dimensions DN80 and DN150 metric and Inch ANSI B16.5

d [mm]	DN [mm]	Inch	PN	kv-value ($\Delta p=1$ bar) [l/min]	EPDM Code	PTFE/EPDM Code	kg
*75	65	2 ½	10	992	199 025 137	199 025 167	13.600
**90	80	3	10	1700	199 025 138	199 025 168	17.400
110	100	4	8	2700	199 025 139	199 025 169	24.700
**160	150	6	6	6033	199 025 140	199 025 170	35.000

d [mm]	D [mm]	D1_G [inch]	D2 [mm]	D3[M] [mm]	D4 [mm]	L [mm]	L2 [mm]	L3 [mm]	H [mm]	H1 [mm]	H2 [mm]	H3 [mm]
*75	280	¼	185	8	145	290	70		344	148	24	46
**90	280	¼	200	12	160	310	120		348	150	24	46
110	335	¼	225	12	180	350	120		395	176	24	46
**160	335	¼	285	12	240	480	100	200	455	237	24	46

d [mm]	H4 [mm]	H5 [mm]	H6 [mm]	H7 [mm]	H9 [mm]	H10 [mm]
*75	100	129	195	298	46	15
**90	100	129	195	302	57	15
110	100	129	195	349	69	20
**160	100	129	195	409	108	20





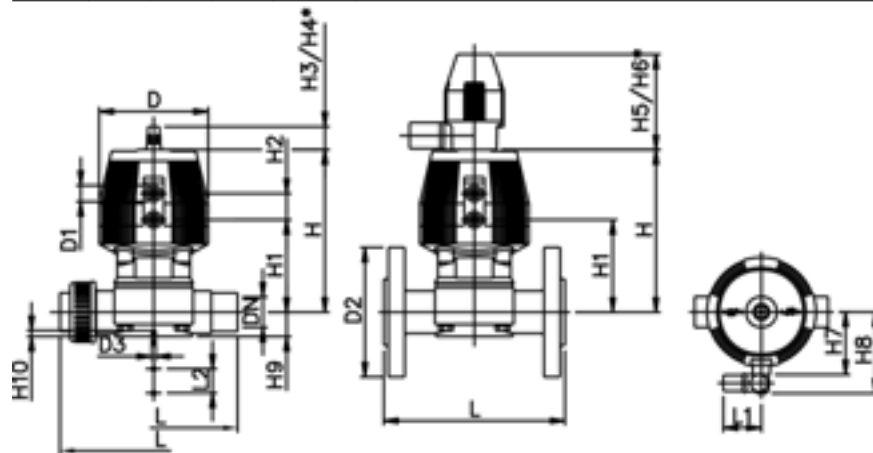
Diaphragm valve type DIASTAR PVC-U Series 025 DA (Double acting) Unions with solvent cement sockets metric

- With position indicator / Working pressure: **both sides**

d [mm]	DN [mm]	PN	kv-value ($\Delta p=1$ bar) [l/min]	EPDM Code	PTFE/EPDM Code	kg
20	15	10	72	199 025 081	199 025 111	0.464
25	20	10	120	199 025 082	199 025 112	0.790
32	25	10	238	199 025 083	199 025 113	1.180
40	32	10	341	199 025 084	199 025 114	1.450
50	40	10	460	199 025 085	199 025 115	2.190
63	50	10	685	199 025 086	199 025 116	3.040

d [mm]	D [mm]	D1_G [inch]	D3[M] [mm]	L [mm]	L1 [mm]	L2 [mm]	H [mm]	H1 [mm]	H2 [mm]	H3 [mm]	H4 [mm]	H5 [mm]	H6 [mm]	H7 [mm]
20	68	1/8	6	128	60	25	99	59	24	23	44	100	155	44
25	96	1/8	6	152	60	25	130	71	25	23	44	100	155	56
32	96	1/8	6	166	60	25	143	85	25	23	44	100	155	56
40	120	1/8	8	192	60	45	170	97	26	36	64	100	160	68
50	150	1/4	8	222	60	45	203	108	36	36	64	100	170	85
63	150	1/4	8	266	60	45	220	126	36	36	64	100	170	85

d [mm]	H8 [mm]	H9 [mm]	H10 [mm]	Lift = Hx [mm]
20	76	14	12	8
25	88	18	12	10
32	88	21	12	12
40	100	26	15	14
50	117	33	15	18
63	117	39	15	22





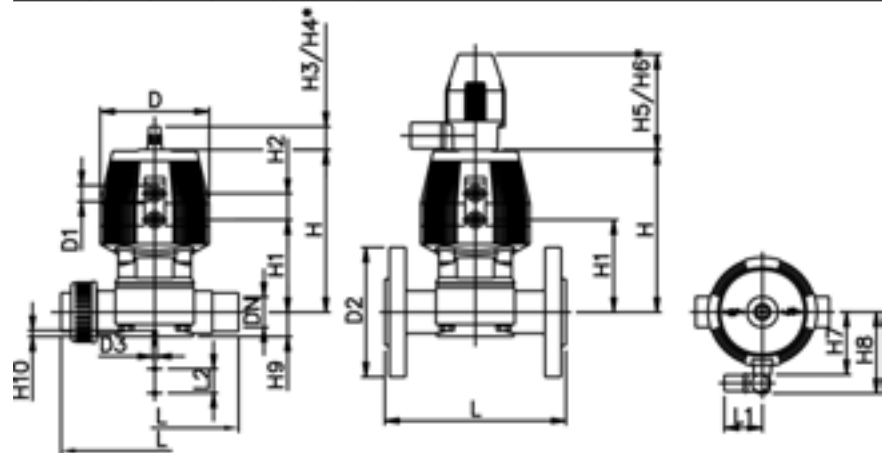
Diaphragm valve type DIASTAR PVC-U Series 025 DA (Double acting) With solvent cement spigots metric

- With position indicator / Working pressure: **both sides**

d [mm]	DN [mm]	PN	kv-value ($\Delta p=1$ bar) [l/min]	EPDM Code	PTFE/EPDM Code	kg
20	15	10	72	199 025 021	199 025 051	0.404
25	20	10	120	199 025 022	199 025 052	0.690
32	25	10	238	199 025 023	199 025 053	0.980
40	32	10	341	199 025 024	199 025 054	1.230
50	40	10	460	199 025 025	199 025 055	2.210
63	50	10	685	199 025 026	199 025 056	4.360

d [mm]	D [mm]	D1_G [inch]	D3[M] [mm]	L [mm]	L1 [mm]	L2 [mm]	H [mm]	H1 [mm]	H2 [mm]	H3 [mm]	H4 [mm]	H5 [mm]	H6 [mm]	H7 [mm]
20	68	1/8	6	124	60	25	99	59	24	23	44	100	155	44
25	96	1/8	6	144	60	25	130	71	25	23	44	100	155	56
32	96	1/8	6	154	60	25	143	85	25	23	44	100	155	56
40	120	1/8	8	174	60	45	170	97	26	36	64	100	160	68
50	150	1/4	8	194	60	45	203	108	36	36	64	100	170	85
63	150	1/4	8	224	60	45	220	126	36	36	64	100	170	85

d [mm]	H8 [mm]	H9 [mm]	H10 [mm]	Lift = Hx [mm]
20	76	14	12	8
25	88	18	12	10
32	88	21	12	12
40	100	26	15	14
50	117	33	15	18
63	117	39	15	22





Diaphragm valve type DIASTAR PVC-U Series 025 DA (Double acting) With backing flanges PVC-U metric

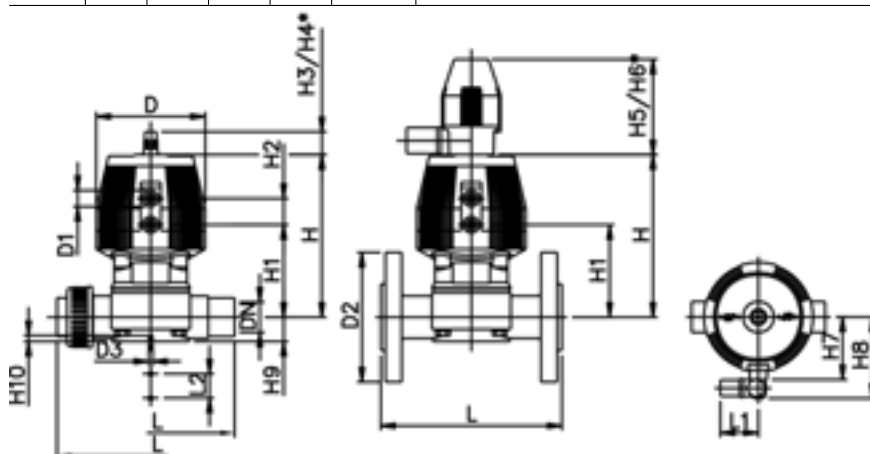
Model:

- Connecting dimensions: ISO 7005 / EN 1092 / DIN 2501 PN10 / BS4504
- With position indicator / Working pressure: **both sides**

d [mm]	DN [mm]	Inch	PN	kv-value ($\Delta p=1$ bar) [l/min]	EPDM Code	PTFE/EPDM Code	kg
20	15	½	10	72	199 025 141	199 025 171	0.624
25	20	¾	10	120	199 025 142	199 025 172	0.890
32	25	1	10	238	199 025 143	199 025 173	1.260
40	32	1 ¼	10	341	199 025 144	199 025 174	1.750
50	40	1 ½	10	460	199 025 145	199 025 175	2.210
63	50	2	10	685	199 025 146	199 025 176	3.760

d [mm]	D [mm]	D1_G [inch]	D2 [mm]	D3[M] [mm]	L [mm]	L1 [mm]	L2 [mm]	H [mm]	H1 [mm]	H2 [mm]	H3 [mm]	H4 [mm]	H5 [mm]	H6 [mm]
20	68	⅞	95	6	130	60	25	99	59	24	23	44	100	155
25	96	⅞	105	6	150	60	25	130	71	25	23	44	100	155
32	96	⅞	115	6	160	60	25	143	85	25	23	44	100	155
40	120	⅞	140	8	180	60	45	170	97	26	36	64	100	160
50	150	¾	150	8	200	60	45	203	108	36	36	64	100	170
63	150	¾	165	8	230	60	45	220	126	36	36	64	100	170

d [mm]	H7 [mm]	H8 [mm]	H9 [mm]	H10 [mm]	Lift = Hx [mm]
20	44	76	14	12	8
25	56	88	18	12	10
32	56	88	21	12	12
40	68	100	26	15	14
50	85	117	33	15	18
63	85	117	39	15	22





Diaphragm valve type DIASTAR PVC-U Series 025 DA (Double acting) With fixed flanges PVC-U metric

Model:

- Connecting dimensions: ISO 7005 / EN 1092 / DIN 2501 PN10 / BS4504
- With position indicator / Working pressure: **one side**

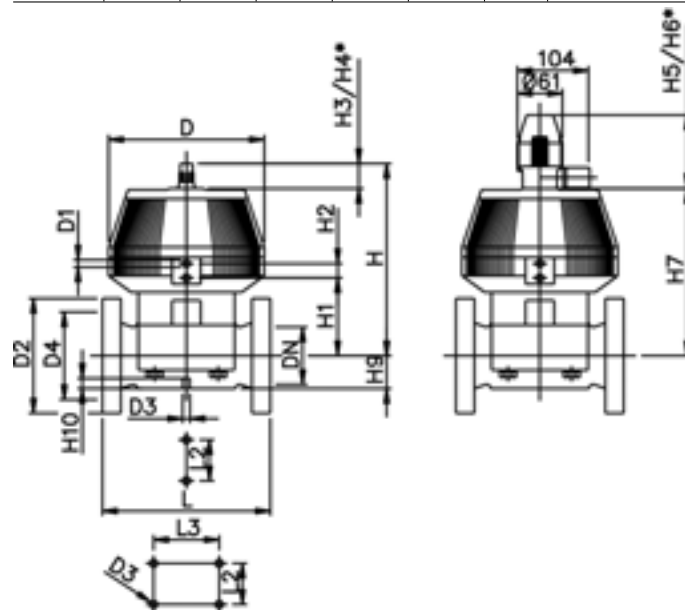
* with backing flanges PVC-U metric

** Connecting dimensions DN80 and DN150 metric and Inch ANSI B16.5

d [mm]	DN [mm]	Inch	PN	kv-value ($\Delta p=1$ bar) [l/min]	EPDM Code	PTFE/EPDM Code	kg
*75	65	2 ½	10	992	199 025 147	199 025 177	12.000
**90	80	3	10	1700	199 025 148	199 025 178	17.400
110	100	4	8	2700	199 025 149	199 025 179	24.700
**160	150	6	6	6033	199 025 150	199 025 180	35.000

d [mm]	D [mm]	D1_G [inch]	D2 [mm]	D3[M] [mm]	D4 [mm]	L [mm]	L2 [mm]	L3 [mm]	H [mm]	H1 [mm]	H2 [mm]	H3 [mm]
*75	280	¼	185	8	145	290	70		344	148	24	46
**90	280	¼	200	12	160	310	120		348	150	24	46
110	335	¼	225	12	180	350	120		395	176	24	46
**160	335	¼	285	12	240	480	100	200	455	237	24	46

d [mm]	H4 [mm]	H5 [mm]	H6 [mm]	H7 [mm]	H9 [mm]	H10 [mm]
*75	100	129	195	298	46	15
**90	100	129	195	302	57	15
110	100	129	195	349	69	20
**160	100	129	195	409	108	20



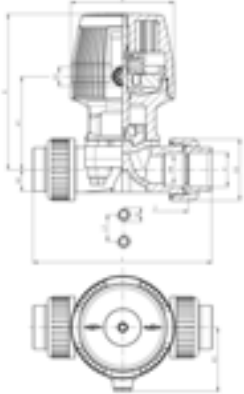


Diaphragm valve DIASTAR Eco PVC-U FC (Fail safe to close) Unions with solvent cement socket metric



Model:

- Working pressure 6 bar one side



d [mm]	DN [mm]	PN	kv-value ($\Delta p=1$ bar) [l/min]	EPDM Code	kg
20	15	6	72	199 024 031	0.580
25	20	6	120	199 024 032	1.127
32	25	6	238	199 024 033	1.381
40	32	6	341	199 024 034	1.873
50	40	6	460	199 024 035	2.687
63	50	6	685	199 024 036	3.465

d [mm]	D [mm]	D1_G [inch]	D2 (M)	D3 [mm]	L [mm]	L1 [mm]	H [mm]	H1 [mm]	H2 [mm]	H3 [mm]	Lift = Hx [mm]	z [mm]
20	68	1/8	M6	43	128	25	99	59	14	44	8	96
25	96	1/8	M6	51	152	25	130	71	18	56	10	114
32	96	1/8	M6	58	166	25	143	85	21	56	12	122
40	120	1/8	M8	72	192	45	170	97	26	68	14	140
50	120	1/8	M8	83	222	45	182	109	33	68	16	160
63	120	1/8	M8	100	266	45	199	126	39	68	16	190

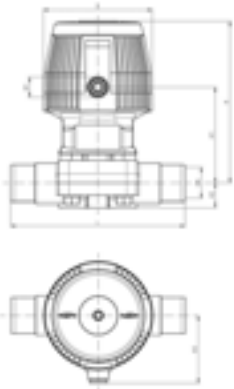


Diaphragm valve DIASTAR Eco PVC-U FC (Fail safe to close) With solvent cement spigots metric



Model:

- Working pressure 6 bar one side



d [mm]	DN [mm]	PN	kv-value ($\Delta p=1$ bar) [l/min]	EPDM Code	kg
20	15	6	72	199 024 001	0.513
25	20	6	120	199 024 002	1.035
32	25	6	238	199 024 003	1.271
40	32	6	341	199 024 004	1.900
50	40	6	460	199 024 005	2.469
63	50	6	685	199 024 006	3.102

d [mm]	D [mm]	D1_G [inch]	D2 (M)	L [mm]	L1 [mm]	H [mm]	H1 [mm]	H2 [mm]	H3 [mm]	Lift = Hx [mm]
20	68	1/8	M6	124	25	99	59	14	44	8
25	96	1/8	M6	144	25	130	71	18	56	10
32	96	1/8	M6	154	25	143	85	21	56	12
40	120	1/8	M8	174	45	170	97	26	68	14
50	120	1/8	M8	194	45	182	109	33	68	16
63	120	1/8	M8	224	45	199	126	39	68	16

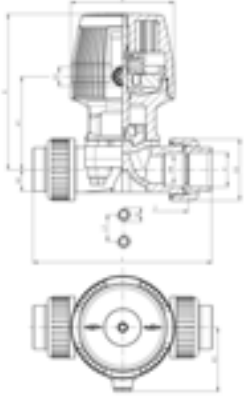


Diaphragm valve DIASTAR Eco PVC-U FC (Fail safe to close) Unions with threaded sockets Rp



Model:

- Working pressure 6 bar **one side**



Rp [inch]	DN [mm]	PN	kv-value ($\Delta p=1$ bar) [l/min]	EPDM Code	kg
½	15	6	72	199 024 061	0.582
¾	20	6	120	199 024 062	1.123
1	25	6	238	199 024 063	1.383
1 ¼	32	6	341	199 024 064	1.873
1 ½	40	6	460	199 024 065	2.699
2	50	6	685	199 024 066	3.541

Rp [inch]	D [mm]	D1_G [inch]	D2 (M)	D3 [mm]	L [mm]	L1 [mm]	H [mm]	H1 [mm]	H2 [mm]	H3 [mm]	Lift = Hx [mm]	z [mm]
½	68	½	M6	43	128	25	99	59	14	44	8	102
¾	96	⅝	M6	51	152	25	130	71	18	56	10	122
1	96	⅝	M6	58	166	25	143	85	21	56	12	132
1 ¼	120	⅝	M8	72	192	45	170	97	26	68	14	154
1 ½	120	⅝	M8	83	222	45	182	109	33	68	16	184
2	120	⅝	M8	100	266	45	199	126	39	68	16	220

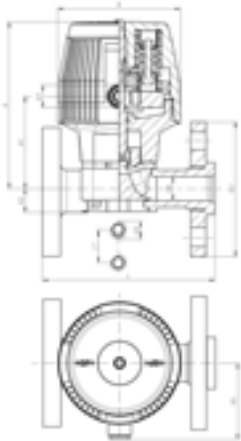


Diaphragm valve DIASTAR Eco PVC-U FC (Fail safe to close) With backing flanges PVC-U metric



Model:

- Working pressure 6 bar **one side**
- Connecting dimensions: ISO 7005 / EN 1092 / DIN 2501 PN10 / BS4504



d [mm]	DN [mm]	Inch	PN	kv-value ($\Delta p=1$ bar) [l/min]	EPDM Code	kg
20	15	½	6	72	199 024 091	0.553
25	20	¾	6	120	199 024 092	1.130
32	25	1	6	238	199 024 093	1.414
40	32	1 ¼	6	341	199 024 094	2.125
50	40	1 ½	6	460	199 024 095	3.063
63	50	2	6	685	199 024 096	3.870

d [mm]	D [mm]	D1_G [inch]	D2 (M)	D3 [mm]	L [mm]	L1 [mm]	H [mm]	H1 [mm]	H2 [mm]	H3 [mm]	Lift = Hx [mm]
20	68	⅝	M6	95	130	25	99	59	14	44	8
25	96	⅝	M6	105	150	25	130	71	18	56	10
32	96	⅝	M6	115	160	25	143	85	21	56	12
40	120	⅝	M8	140	180	45	170	97	26	68	14
50	120	⅝	M8	150	200	45	182	109	33	68	16
63	120	⅝	M8	165	230	45	199	126	39	68	16

Butterfly valves electric

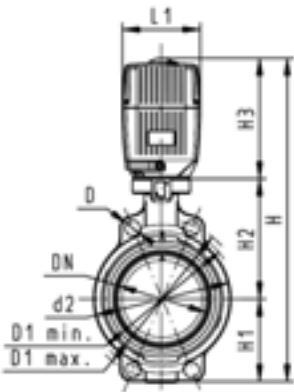
Butterfly valve type 140 PVC-U 100-230V Without manual override



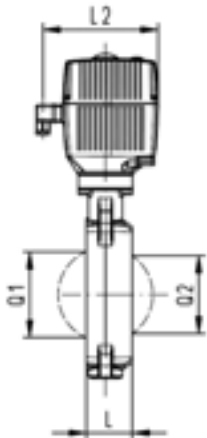
Model:

- Connecting dimension: ISO 7005 PN 10, EN 1092 PN 10, DIN 2501 PN 10, ANSI/ASME B 16.5 Class 150, BS 1560: 1989, BS 4504, JIS B 2220
- Overall length according to EN 558, ISO 5752
- Voltage 100-230 V, 50-60 Hz
- Control time 15 s/90°<) EA31
- Control time 25s/90°<) EA42
- Control range 90°<)
- Actuator with integrated emergency manual override standard
- The dimension DN300 on request

d [mm]	DN [mm]	Inch	PN	kv-value ($\Delta p=1$ bar) [l/min]	EPDM Code	FPM Code	kg
63	50	2	10	1470	199 140 042	199 140 062	4.182
75	65	2 ½	10	2200	199 140 043	199 140 063	4.286
90	80	3	10	3000	199 140 044	199 140 064	4.453
110	100	4	10	6500	199 140 045	199 140 065	5.073
140	125	5	10	11500	199 140 046	199 140 066	5.644
160	150	6	10	16600	199 140 047	199 140 067	6.654
225	200	8	10	39600	199 140 048	199 140 068	12.634
280	250	10	6	55200	199 140 049	199 140 069	14.481



d [mm]	Actuator unit type	D [mm]	D1 min. [mm]	D1 max. [mm]	d2 [mm]	H [mm]	H1 [mm]	H2 [mm]	H3 [mm]	L [mm]	L1 [mm]	L2 [mm]	Q1 [mm]
63	EA-31	19	120.0	125.0	104	400	77	134	188	45	122	180	40
75	EA-31	19	139.7	145.0	115	413	83	140	188	46	122	180	54
90	EA-31	19	150.0	160.0	131	428	89	146	188	49	122	180	67
110	EA-31	19	175.0	190.5	161	460	104	167	188	56	122	180	88
140	EA-31	23	210.0	215.9	187	487	117	181	188	64	122	180	113
160	EA-31	24	241.3	241.3	215	508	130	189	188	72	122	180	139
225	EA-42	23	290.0	295.0	267	575	158	210	208	73	122	180	178
280	EA-42	25	353.0	362.0	329	677	205	264	208	113	122	180	256



d [mm]	Q2 [mm]
63	
75	35
90	50
110	74
140	97
160	123
225	169
280	207

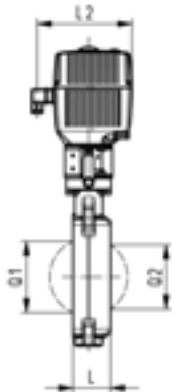
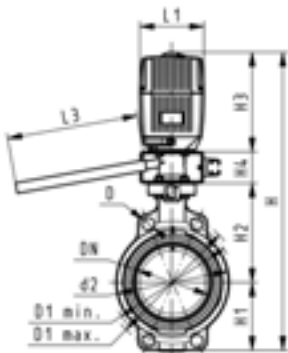


Butterfly valve type 140 PVC-U 100-230V With manual override



Model:

- Connecting dimension: ISO 7005 PN 10, EN 1092 PN 10, DIN 2501 PN 10, ANSI/ASME B 16.5 Class 150, BS 1560: 1989, BS 4504, JIS B 2220
- Overall length according to EN 558, ISO 5752
- Voltage 100-230 V, 50-60 Hz
- Control time 15 s/90°<) EA31
- Control time 25s/90°<) EA42
- Control range 90°<)
- Actuator with integrated emergency manual override standard



d [mm]	DN [mm]	Inch	PN	kv-value ($\Delta p=1$ bar) [l/min]	EPDM Code	FPM Code	kg
63	50	2	10	1470	199 140 002	199 140 022	5.682
75	65	2 ½	10	2200	199 140 003	199 140 023	5.786
90	80	3	10	3000	199 140 004	199 140 024	5.953
110	100	4	10	6500	199 140 005	199 140 025	6.573
140	125	5	10	11500	199 140 006	199 140 026	7.144
160	150	6	10	16600	199 140 007	199 140 027	8.154
225	200	8	10	39600	199 140 008	199 140 028	14.134

d [mm]	Actuator unit type	D [mm]	D1 min. [mm]	D1 max. [mm]	d2 [mm]	H [mm]	H1 [mm]	H2 [mm]	H3 [mm]	H4 [mm]	L [mm]	L1 [mm]	L2 [mm]
63	EA-31	19	120.0	125.0	104	460	77	134	188	60	45	122	180
75	EA-31	19	139.7	145.0	115	473	83	140	188	60	46	122	180
90	EA-31	19	150.0	160.0	131	488	89	146	188	60	49	122	180
110	EA-31	19	175.0	190.5	161	520	104	167	188	60	56	122	180
140	EA-31	23	210.0	215.9	187	547	117	181	188	60	64	122	180
160	EA-31	24	241.3	241.3	215	568	130	189	188	60	72	122	180
225	EA-42	23	290.0	295.0	267	635	158	210	208	60	73	122	180

d [mm]	L3 [mm]	Q1 [mm]	Q2 [mm]
63	250	40	
75	250	54	35
90	250	67	50
110	250	88	74
140	250	113	97
160	250	139	123
225	250	178	169



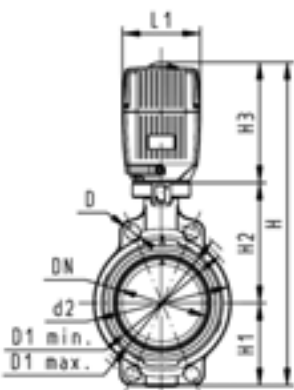
Butterfly valve type 140 PVC-U 24V Without manual override



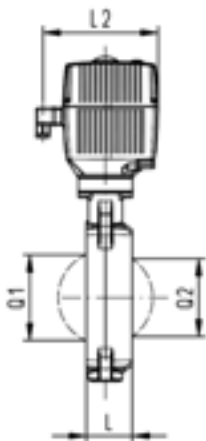
Model:

- Connecting dimension: ISO 7005 PN 10, EN 1092 PN 10, DIN 2501 PN 10, ANSI/ASME B 16.5 Class 150, BS 1560: 1989, BS 4504, JIS B 2220
- Overall length according to EN 558, ISO 5752
- Voltage 24 V AC/DC
- Control time 15 s/90°<) EA31
- Control time 25s/90°<) EA42
- Control range 90°<)
- Actuator with integrated emergency manual override standard
- The dimension DN300 on request

d [mm]	DN [mm]	Inch	PN	kv-value ($\Delta p=1$ bar) [l/min]	EPDM Code	FPM Code	kg
63	50	2	10	1470	199 140 122	199 140 142	4.182
75	65	2 ½	10	2200	199 140 123	199 140 143	4.286
90	80	3	10	3000	199 140 124	199 140 144	4.453
110	100	4	10	6500	199 140 125	199 140 145	5.073
140	125	5	10	11500	199 140 126	199 140 146	5.644
160	150	6	10	16600	199 140 127	199 140 147	6.654
225	200	8	10	39600	199 140 128	199 140 148	12.634
280	250	10	6	55200	199 140 129	199 140 149	14.334



d [mm]	Actuator unit type	D [mm]	D1 min. [mm]	D1 max. [mm]	d2 [mm]	H [mm]	H1 [mm]	H2 [mm]	H3 [mm]	L [mm]	L1 [mm]	L2 [mm]	Q1 [mm]
63	EA-31	19	120.0	125.0	104	400	77	134	188	45	122	180	40
75	EA-31	19	139.7	145.0	115	413	83	140	188	46	122	180	54
90	EA-31	19	150.0	160.0	131	428	89	146	188	49	122	180	67
110	EA-31	19	175.0	190.5	161	460	104	167	188	56	122	180	88
140	EA-31	23	210.0	215.9	187	487	117	181	188	64	122	180	113
160	EA-31	24	241.3	241.3	215	508	130	189	188	72	122	180	139
225	EA-42	23	290.0	295.0	267	575	158	210	208	73	122	180	178
280	EA-42	25	353.0	362.0	329	677	205	264	208	113	122	180	256



d [mm]	Q2 [mm]
63	
75	35
90	50
110	74
140	97
160	123
225	169
280	207

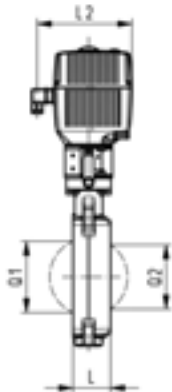
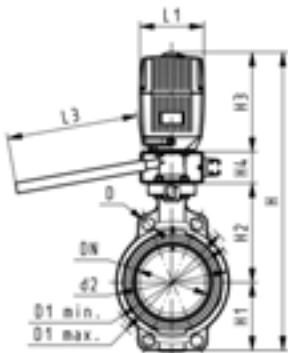


Butterfly valve type 140 PVC-U 24V With manual override



Model:

- Connecting dimension: ISO 7005 PN 10, EN 1092 PN 10, DIN 2501 PN 10, ANSI/ASME B 16.5 Class 150, BS 1560: 1989, BS 4504, JIS B 2220
- Overall length according to EN 558, ISO 5752
- Voltage 24 V AC/DC
- Control time 15 s/90°<) EA31
- Control time 25s/90°<) EA42
- Control range 90°<)
- Actuator with integrated emergency manual override standard



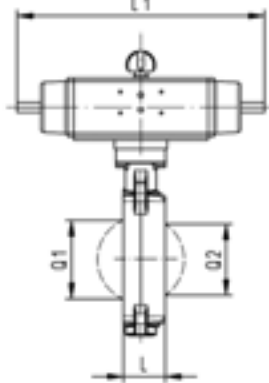
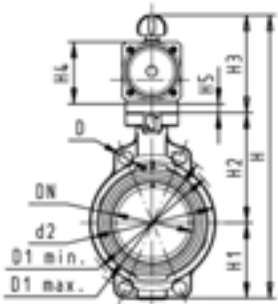
d [mm]	DN [mm]	Inch	PN	kv-value ($\Delta p=1$ bar) [l/min]	EPDM Code	FPM Code	kg
63	50	2	10	1470	199 140 082	199 140 102	5.682
75	65	2 ½	10	2200	199 140 083	199 140 103	5.786
90	80	3	10	3000	199 140 084	199 140 104	5.953
110	100	4	10	6500	199 140 085	199 140 105	6.573
140	125	5	10	11500	199 140 086	199 140 106	7.144
160	150	6	10	16600	199 140 087	199 140 107	8.154
225	200	8	10	39600	199 140 088	199 140 108	14.134

d [mm]	Actuator unit type	D [mm]	D1 min. [mm]	D1 max. [mm]	d2 [mm]	H [mm]	H1 [mm]	H2 [mm]	H3 [mm]	H4 [mm]	L [mm]	L1 [mm]	L2 [mm]
63	EA-31	19	120.0	125.0	104	460	77	134	188	60	45	122	180
75	EA-31	19	139.7	145.0	115	473	83	140	188	60	46	122	180
90	EA-31	19	150.0	160.0	131	488	89	146	188	60	49	122	180
110	EA-31	19	175.0	190.5	161	520	104	167	188	60	56	122	180
140	EA-31	23	210.0	215.9	187	547	117	181	188	60	64	122	180
160	EA-31	24	241.3	241.3	215	568	130	189	188	60	72	122	180
225	EA-42	23	290.0	295.0	267	635	158	210	208	60	73	122	180

d [mm]	L3 [mm]	Q1 [mm]	Q2 [mm]
63	250	40	
75	250	54	35
90	250	67	50
110	250	88	74
140	250	113	97
160	250	139	123
225	250	178	169

Butterfly valves pneumatic

Butterfly valve type 240 PVC-U FC (Fail safe to close) Without manual override



Model:

- Connecting dimension: ISO 7005 PN 10, EN 1092 PN 10, DIN 2501 PN 10, ANSI/ASME B 16.5 Class 150, BS 1560: 1989, BS 4504, JIS B 2220
- Overall length according to EN 558, ISO 5752
- Control range 90°<

d [mm]	DN [mm]	Inch	PN	kv-value ($\Delta p=1$ bar) [l/min]	EPDM Code	FPM Code	kg
63	50	2	10	1470	199 240 002	199 240 022	3.222
75	65	2 1/2	10	2200	199 240 003	199 240 023	3.326
90	80	3	10	3000	199 240 004	199 240 024	3.493
110	100	4	10	6500	199 240 005	199 240 025	5.311
140	125	5	10	11500	199 240 006	199 240 026	6.884
160	150	6	10	16600	199 240 007	199 240 027	10.215
225	200	8	10	39600	199 240 008	199 240 028	14.134
280	250	10	10	55200	199 240 009	199 240 029	0.001
315	300	12	10	80000	199 240 010	199 240 030	0.001

d [mm]	Actuator unit type	D [mm]	D1 min. [mm]	D1 max. [mm]	d2 [mm]	H [mm]	H1 [mm]	H2 [mm]	H3 [mm]	H4 [mm]	H5 [mm]	L [mm]	L1 [mm]
63	PA-30 FC	19	120.0	125.0	104	327	77	134	117	70	15	45	276
75	PA-30 FC	19	139.7	145.0	115	340	83	140	117	70	15	46	276
90	PA-35 FC	19	150.0	160.0	131	361	89	146	126	78	15	49	326
110	PA-40 FC	19	175.0	190.5	161	400	104	167	129	86		56	370
140	PA-45 FC	23	210.0	215.9	187	436	117	181	139	96		64	411
160	PA-50 FC	24	241.3	241.3	215	468	130	189	149	106		72	423
225	PA-55 FC	23	290.0	295.0	267	529	158	210	161	118		73	452
280	PA-65 FC	25	353.0	362.0	329	808	205	264	191	148		113	648
315	PA-70 FC	25	400.0	432.0	379	866	228	285	196	157		113	663

d [mm]	L2 [mm]	Q1 [mm]	Q2 [mm]
63	65	40	
75	65	54	35
90	72	67	50
110	80	88	74
140	90	113	97
160	100	139	123
225	112	178	169
280	137	210	207
315	145	256	253

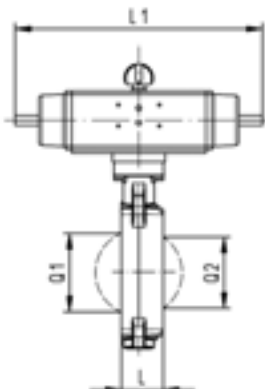
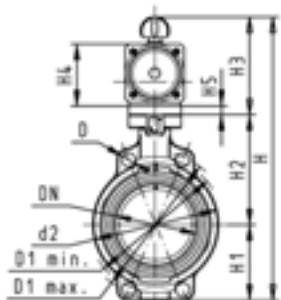


Butterfly valve type 240 PVC-U FO (Fail safe to open) Without manual override



Model:

- Connecting dimension: ISO 7005 PN 10, EN 1092 PN 10, DIN 2501 PN 10, ANSI/ASME B 16.5 Class 150, BS 1560: 1989, BS 4504, JIS B 2220
- Overall length according to EN 558, ISO 5752
- Control range 90°<



d [mm]	DN [mm]	Inch	PN	kv-value ($\Delta p=1$ bar) [l/min]	EPDM Code	FPM Code	kg
63	50	2	10	1470	199 240 042	199 240 062	3.222
75	65	2 ½	10	2200	199 240 043	199 240 063	3.326
90	80	3	10	3000	199 240 044	199 240 064	3.493
110	100	4	10	6500	199 240 045	199 240 065	5.311
140	125	5	10	11500	199 240 046	199 240 066	6.884
160	150	6	10	16600	199 240 047	199 240 067	10.215
225	200	8	10	39600	199 240 048	199 240 068	14.134
280	250	10	10	55200	199 240 049	199 240 069	0.001
315	300	12	10	80000	199 240 050	199 240 070	0.001

d [mm]	Actuator unit type	D [mm]	D1 min. [mm]	D1 max. [mm]	d2 [mm]	H [mm]	H1 [mm]	H2 [mm]	H3 [mm]	H4 [mm]	H5 [mm]	L [mm]	L1 [mm]
63	PA-30 FO	19	120.0	125.0	104	327	77	134	117	70	15	45	276
75	PA-30 FO	19	139.7	145.0	115	340	83	140	117	70	15	46	276
90	PA-35 FO	19	150.0	160.0	131	361	89	146	126	78	15	49	326
110	PA-40 FO	19	175.0	190.5	161	400	104	167	129	86		56	370
140	PA-45 FO	23	210.0	215.9	187	436	117	181	139	96		64	411
160	PA-50 FO	24	241.3	241.3	215	468	130	189	149	106		72	423
225	PA-55 FO	23	290.0	295.0	267	529	158	210	161	118		73	452
280	PA-65 FO	25	353.0	362.0	329	808	205	264	191	148		113	648
315	PA-70 FO	25	400.0	432.0	379	866	228	285	196	157		113	663

d [mm]	L2 [mm]	Q1 [mm]	Q2 [mm]
63	65	40	
75	65	54	35
90	72	67	50
110	80	88	74
140	90	113	97
160	100	139	123
225	112	178	169
280	137	210	207
315	145	256	253

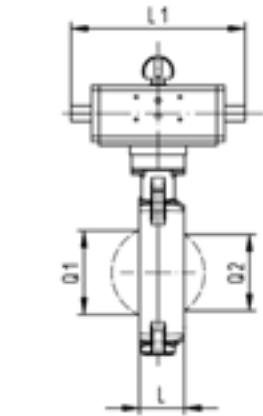
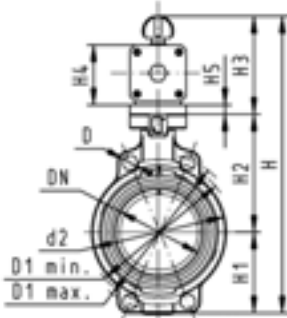


Butterfly valve type 240 PVC-U DA (Double acting) Without manual override



Model:

- Connecting dimension: ISO 7005 PN 10, EN 1092 PN 10, DIN 2501 PN 10, ANSI/ASME B 16.5 Class 150, BS 1560: 1989, BS 4504, JIS B 2220
- Overall length according to EN 558, ISO 5752
- Control range 90°<



d [mm]	DN [mm]	Inch	PN	kv-value ($\Delta p=1$ bar) [l/min]	EPDM Code	FPM Code	kg
63	50	2	10	1470	199 240 082	199 240 102	2.072
75	65	2 ½	10	2200	199 240 083	199 240 103	2.176
90	80	3	10	3000	199 240 084	199 240 104	2.824
110	100	4	10	6500	199 240 085	199 240 105	3.563
140	125	5	10	11500	199 240 086	199 240 106	4.134
160	150	6	10	16600	199 240 087	199 240 107	6.694
225	200	8	10	39600	199 240 088	199 240 108	8.134
280	250	10	10	55200	199 240 089	199 240 109	0.001
315	300	12	10	80000	199 240 090	199 240 110	0.001

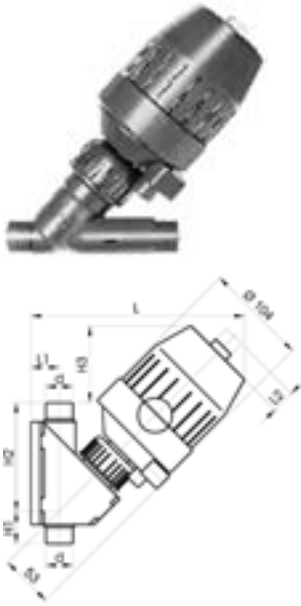
d [mm]	Actuator unit type	D [mm]	D1 min. [mm]	D1 max. [mm]	d2 [mm]	H [mm]	H1 [mm]	H2 [mm]	H3 [mm]	H4 [mm]	H5 [mm]	L [mm]	L1 [mm]
63	PA-35 DA	19	120.0	125.0	104	317	77	134	107	60	15	45	177
75	PA-35 DA	19	139.7	145.0	115	330	83	140	107	60	15	46	177
90	PA-40 DA	19	150.0	160.0	131	348	89	146	113	66	15	49	190
110	PA-45 DA	19	175.0	190.5	161	372	104	167	102	71		56	235
140	PA-45 DA	23	210.0	215.9	187	408	117	181	111	78		64	235
160	PA-55 DA	24	241.3	241.3	215	448	130	189	129	86		72	279
225	PA-55 DA	23	290.0	295.0	267	507	158	210	139	96		73	279
280	PA-65 DA	25	353.0	362.0	329	748	205	264	161	118		113	350
315	PA-70 DA	25	400.0	432.0	379	816	228	285	173	130		113	381

d [mm]	L2 [mm]	Q1 [mm]	Q2 [mm]
63	55	40	
75	55	54	35
90	60	67	50
110	65	88	74
140	72	113	97
160	80	139	123
225	90	178	169
280	112	210	207
315	125	256	253

Angle seat valves pneumatic

Angle seat valve type 211 PVC-U FC (Fail safe to close)

With solvent cement spigots metric

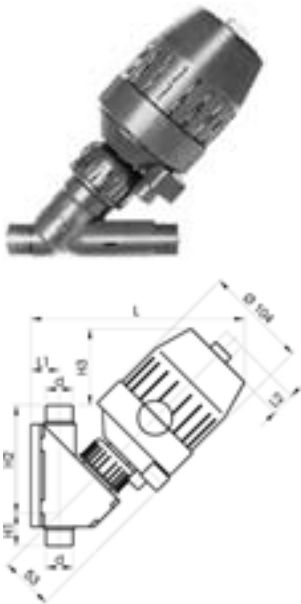


d [mm]	DN [mm]	PN	kv-value ($\Delta p=1$ bar) [l/min]	EPDM Code	FPM Code	kg
16	10	6	41	199 211 305	199 211 355	1.000
20	15	6	94	199 211 306	199 211 356	1.200
25	20	6	175	199 211 307	199 211 357	1.400
32	25	6	296	199 211 308	199 211 358	1.600
40	32	6	416	199 211 309	199 211 359	2.100
50	40	3	512	199 211 310	199 211 360	2.900
63	50	2	620	199 211 311	199 211 361	4.900

d [mm]	L [mm]	L1 [mm]	L2 [mm]	H1 [mm]	H2 [mm]	H3 [mm]
16	198	22	14	24	90	74
20	207	25	17	28	96	73
25	221	30	22	37	107	71
32	240	35	22	37	117	72
40	270	42	22	44	130	80
50			22	48	146	82
63			22	60	164	82

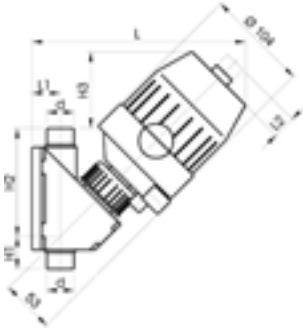
Angle seat valve type 211 PVC-U FO (Fail safe to open)

With solvent cement spigots metric



d [mm]	DN [mm]	PN	kv-value ($\Delta p=1$ bar) [l/min]	EPDM Code	FPM Code	kg
16	10	10	41	199 211 705	199 211 755	1.000
20	15	10	94	199 211 706	199 211 756	1.200
25	20	10	175	199 211 707	199 211 757	1.400
32	25	10	296	199 211 708	199 211 758	1.600
40	32	10	416	199 211 709	199 211 759	2.100
50	40	6	512	199 211 710	199 211 760	2.900
63	50	4	620	199 211 711	199 211 761	4.900

d [mm]	L [mm]	L1 [mm]	L2 [mm]	H1 [mm]	H2 [mm]	H3 [mm]
16	198	22	14	24	90	74
20	207	25	17	28	96	73
25	221	30	22	37	107	71
32	240	35	22	37	117	72
40	270	42	22	44	130	80
50			22	48	146	82
63			22	60	164	82



**Angle seat valve type 211 PVC-U
DA (Double acting)
With solvent cement spigots metric**

d [mm]	DN [mm]	PN	kv-value ($\Delta p=1$ bar) [l/min]	EPDM Code	FPM Code	kg
16	10	10	41	199 211 105	199 211 155	1.000
20	15	10	94	199 211 106	199 211 156	1.200
25	20	10	175	199 211 107	199 211 157	1.400
32	25	10	296	199 211 108	199 211 158	1.600
40	32	10	416	199 211 109	199 211 159	2.100
50	40	10	512	199 211 110	199 211 160	2.900
63	50	6	620	199 211 111	199 211 161	4.900

d [mm]	L [mm]	L1 [mm]	L2 [mm]	H1 [mm]	H2 [mm]	H3 [mm]
16	198	22	14	24	90	74
20	207	25	17	28	96	73
25	221	30	22	37	107	71
32	240	35	22	37	117	72
40	270	42	22	44	130	80
50			22	48	146	82
63			22	60	164	82

Process control valves

Pressure reducing valve type V 182 PVC-U With solvent cement spigots metric



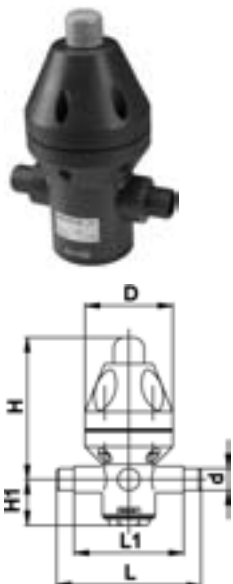
d [mm]	DN [mm]	Pressure range [bar]	EPDM Code	FPM Code	kg	D [mm]	L [mm]	H [mm]	H1 [mm]
16	10	0.5 - 10	199 041 600	199 041 611	0.680	70	134	130	100
20	15	0.5 - 10	199 041 601	199 041 612	0.680	70	134	130	100
25	20	0.5 - 10	199 041 602	199 041 613	1.350	100	174	180	134
32	25	0.5 - 10	199 041 603	199 041 614	1.350	100	174	180	134
40	32	0.5 - 10	199 041 604	199 041 615	2.950	130	224	230	175
50	40	0.5 - 10	199 041 605	199 041 616	2.950	130	224	230	175

Pressure reducing valve type V82 PVC-U With solvent cement spigots metric

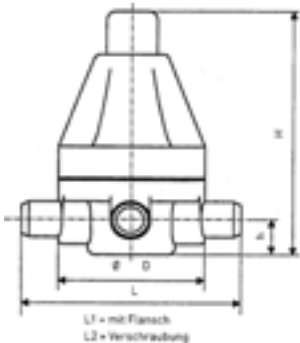


d [mm]	DN [mm]	Pressure range [bar]	EPDM Code	PTFE Code	kg	D [mm]	L [mm]	H [mm]	H1 [mm]
63	50	0.5 - 10	199 041 018	199 041 028	5.180	150	244	285	210
75	65	0.5 - 6	199 041 019	199 041 029	10.430	200	300	350	250
90	80	0.5 - 6	199 041 020	199 041 030	19.630	250	360	425	305
110	100	0.5 - 4	199 041 021	199 041 031	31.640	300	420	495	345

Pressure reducing valve type V782 PVC-U With solvent cement spigots metric

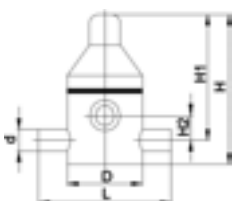


d [mm]	DN [mm]	Pressure range [bar]	EPDM Code	PTFE Code	kg	D [mm]	L [mm]	L1 [mm]	H [mm]	H1 [mm]
16	10	0.5 - 10	199 041 060	199 041 066	0.620	83	134	102	138	48
20	15	0.5 - 10	199 041 061	199 041 067	0.620	83	134	102	138	48
25	20	0.5 - 10	199 041 062	199 041 068	1.700	113	154	110	205	65
32	25	0.5 - 10	199 041 063	199 041 069	1.700	113	154	110	205	65
40	32	0.5 - 10	199 041 064	199 041 070	4.840	165	224	162	248	95
50	40	0.5 - 10	199 041 065	199 041 071	4.840	165	224	162	248	95



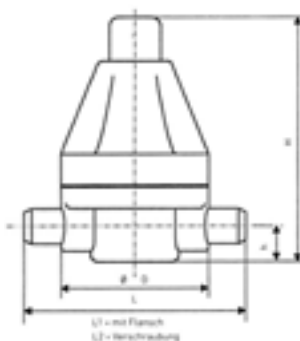
Pressure relief valve type V185 PVC-U With solvent cement spigots metric

d [mm]	DN [mm]	Pressure range [bar]	EPDM Code	PTFE Code	kg	D [mm]	L [mm]	H [mm]	H1 [mm]
16	10	0.5 - 10	199 041 360	199 041 330	0.400	83	134	137	20
20	15	0.5 - 10	199 041 361	199 041 331	0.400	83	134	137	20
25	20	0.5 - 10	199 041 362	199 041 332	0.400	83	134	137	20
32	25	0.5 - 10	199 041 363	199 041 333	1.200	112	174	199	27
40	32	0.5 - 10	199 041 364	199 041 334	1.200	112	174	199	43
50	40	0.5 - 10	199 041 365	199 041 335	6.400	165	224	290	43
63	50	0.5 - 10	199 041 366	199 041 336	6.500	165	244	290	43



Pressure relief valve type V85 PVC-U With solvent cement spigots metric

d [mm]	DN [mm]	Pressure range [bar]	EPDM Code	PTFE Code	kg	D [mm]	L [mm]	H [mm]	H1 [mm]	H2 [mm]
75	65	1.0 - 6	199 041 919	199 041 984	8.200	180	284	295	250	70
90	80	1.0 - 6	199 041 940	199 041 985	12.800	200	300	400	340	95
110	100	1.0 - 4	199 041 914	199 041 986	22.700	250	380	475	405	110



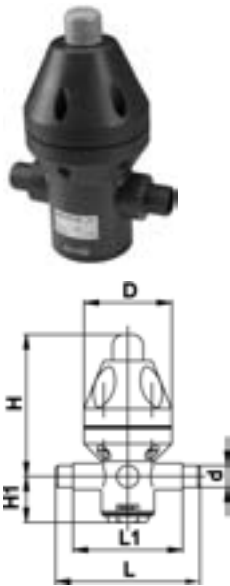
Pressure retaining valve type V186 PVC-U With solvent cement spigots metric

d [mm]	DN [mm]	Pressure range [bar]	EPDM Code	PTFE Code	kg	D [mm]	L [mm]	H [mm]	H1 [mm]
16	10	0.5 - 10	199 041 379	199 041 309	0.400	83	134	137	20
20	15	0.5 - 10	199 041 380	199 041 310	0.400	83	134	137	20
25	20	0.5 - 10	199 041 381	199 041 311	0.400	83	134	137	20
32	25	0.5 - 10	199 041 382	199 041 312	1.200	112	174	199	27
40	32	0.5 - 10	199 041 383	199 041 313	1.200	112	174	199	43
50	40	0.5 - 10	199 041 384	199 041 314	6.400	165	224	290	43
63	50	0.5 - 10	199 041 385	199 041 315	6.500	165	244	290	43



Pressure retaining valve type V86 PVC-U With solvent cement spigots metric

d [mm]	DN [mm]	Pressure range [bar]	EPDM Code	PTFE Code	kg	D [mm]	L [mm]	H [mm]	H1 [mm]
75	65	0.2 - 4	199 041 922	199 041 989	7.700	180	284	275	230
75	65	1.0 - 6	199 041 950	199 041 990	7.700	180	284	275	230
90	80	0.2 - 4	199 041 987	199 041 944	17.700	250	360	410	320
90	80	1.0 - 6	199 041 988	199 041 991	17.700	250	360	410	320
110	100	1.0 - 4	199 041 953	199 041 945	19.600	250	380	485	415



Pressure retaining valve type V786 PVC-U With solvent cement spigots metric

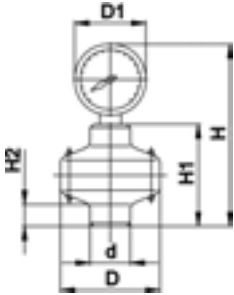
d [mm]	DN [mm]	Pressure range [bar]	EPDM Code	PTFE Code	kg	D [mm]	L [mm]	L1 [mm]	H [mm]	H1 [mm]
16	10	0.5 - 10	199 041 090	199 041 096	0.620	83	134	102	138	38
20	15	0.5 - 10	199 041 091	199 041 097	0.620	83	134	102	138	38
25	20	0.5 - 10	199 041 092	199 041 098	1.700	112	154	110	205	55
32	25	0.5 - 10	199 041 093	199 041 099	1.700	112	154	110	205	55
40	32	0.5 - 4	199 041 094	199 041 100	4.840	165	224	162	248	85
50	40	0.5 - 4	199 041 095	199 041 101	4.840	165	224	162	248	85



Gauge guard type Z700 PVC-U With manometer 0-10 bar

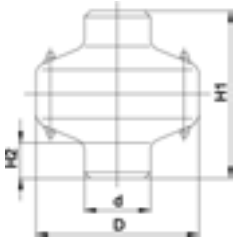
d [mm]	PTFE Code	kg	G_R	D [mm]	D1 [mm]	H [mm]	H1 [mm]	H2 [mm]
25	199 041 000	0.300	¼	72	63	129	71	15
32	199 041 001	0.600	½	100	100	210	90	22

Gauge guard type Z700 PVC-U With manometer 0-6 bar



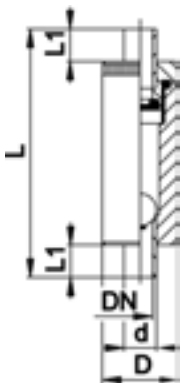
d [mm]	PTFE Code	kg	G_R	D [mm]	D1 [mm]	H [mm]	H1 [mm]	H2 [mm]
25	199 041 292	0.300	¼	72	63	129	71	15
32	199 041 293	0.600	½	100	100	210	90	22

Gauge guard type Z701 PVC-U Without manometer



d [mm]	PTFE Code	kg	G_R	D [mm]	H1 [mm]	H2 [mm]
25	199 041 006	0.140	¼	72	71	15
32	199 041 007	0.250	½	100	90	22

Ventilating and bleed valve type V91 PVC-U With solvent cement spigots metric



d [mm]	DN [mm]	PN	FPM Code	kg	D [mm]	L [mm]	L1 [mm]
16	10	10	199 041 238	0.100	35	114	14
20	15	10	199 041 239	0.140	40	124	16
25	20	10	199 041 240	0.190	45	144	19
32	25	10	199 041 241	0.280	55	154	22
40	32	10	199 041 242	0.550	70	174	26
50	40	10	199 041 243	0.710	80	194	31
63	50	10	199 041 244	1.280	95	224	38
75	65	10	199 041 245	1.900	115	284	44
90	80	10	199 041 246	3.230	150	300	51

Ventilating valve type V95 PVC-U With solvent cement spigots metric



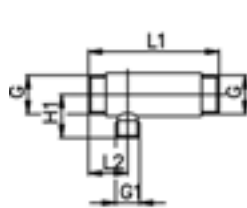
d [mm]	DN [mm]	PN	FPM Code	kg	D [mm]	L [mm]	L1 [mm]
16	10	10	199 041 265	0.100	35	114	14
20	15	10	199 041 266	0.140	40	124	16
25	20	10	199 041 267	0.190	45	144	19
32	25	10	199 041 268	0.280	55	154	22
40	32	10	199 041 269	0.550	70	174	26
50	40	10	199 041 270	0.710	80	194	31
63	50	10	199 041 271	1.280	95	224	38
75	65	10	199 041 272	1.900	115	284	44
90	80	10	199 041 273	3.230	150	300	51

Water jet suction pump type P20 PVC-U

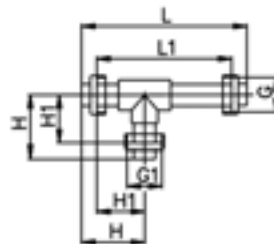
- DN 10-20: BSP parallel female thread
- DN 25-50: Solvent cement socket metric
- DN 65-80: Solvent cement spigot metric



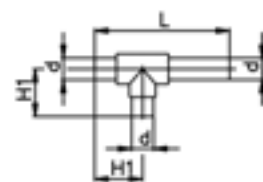
d [mm]	DN [mm]	PN	EPDM Code	kg	G [inch]	G1 [inch]	L [mm]	L1 [mm]	L2 [mm]	H [mm]	H1 [mm]
16	10	10	199 041 120	0.140	R 3/4	R 3/4		110	40		35
20	15	10	199 041 121	0.220	R 1	R 3/4		125	40		35
25	20	10	199 041 122	0.400	R 1 1/4	R 3/4		145	45		45
32	25	10	199 041 123	0.480	R 1 1/2	R 1 1/2	245	195		96	71
40	32	10	199 041 124	0.870	R 2	R 2	297	239		116	87
50	40	10	199 041 125	1.380	R 2 1/4	R 2 1/4	369	301		139	105
63	50	10	199 041 126	2.450	R 2 3/4	R 2 3/4	433	351		169	128
75	65	10	199 041 127	2.350			388				115
90	80	10	199 041 128	4.090			465				149



DN 10 - 20

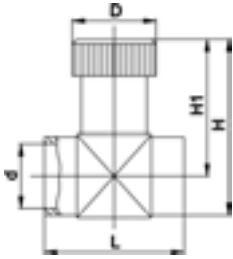


DN 25 - 50



DN 65 - 80

Throttle valve type V251 PVC-U With solvent cement sockets metric



d [mm]	DN [mm]	PN	EPDM Code	FPM Code	kg	D [mm]	L [mm]	H [mm]	H1 [mm]
16	10	10	199 041 203	199 041 210	0.048	29	47	57	45
20	15	10	199 041 204	199 041 211	0.120	35	55	66	51
25	20	10	199 041 205	199 041 212	0.124	40	66	80	63
32	25	10	199 041 206	199 041 213	0.219	47	80	96	75
40	32	10	199 041 207	199 041 214	0.150	56	100	111	86
50	40	10	199 041 208	199 041 215	0.662	70	120	133	101
63	50	10	199 041 209	199 041 216	1.240	88	146	158	118

Variable area flow meters

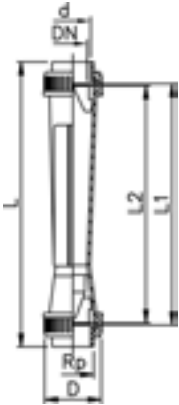
Standard version

Float in PVDF without magnet

With solvent cement sockets PVC-U metric

Model:

- Union nuts and valve ends in other materials on request



Type	d [mm]	DN [mm]	Scale range [l/h]	Taper tube in Polyamid O-rings in EPDM Code	Taper tube in Polysulfone O-rings in EPDM Code	Taper tube in PVC-U transp. O-rings in EPDM Code	kg
SK 10	32	25	50 - 500	198 801 900	198 801 901	198 803 290	0.410
SK 11	32	25	100 - 1000	198 801 902	198 801 903	198 803 291	0.410
SK 12	32	25	150 - 1500	198 803 734	198 803 735	198 803 736	0.410
SK 18	50	40	200 - 2000	198 803 738	198 803 739	198 803 740	1.020
SK 19	50	40	250 - 2500	198 803 741	198 803 742	198 803 743	1.020
SK 20	50	40	300 - 3000	198 801 904	198 801 905	198 803 292	1.020
SK 21	50	40	600 - 6000	198 801 906	198 801 907	198 803 293	1.020
SK 29	63	50	600 - 6000	198 803 744	198 803 745	198 803 746	1.380
SK 30	63	50	1000 - 10000	198 801 908	198 801 909	198 803 294	1.380
SK 31	63	50	1500 - 15000	198 801 910	198 801 911	198 803 295	1.380
SK 40	75	65	2000 - 20000	198 801 330	198 801 331	198 803 296	2.150
SK 41	75	65	3000 - 30000	198 801 332	198 801 333	198 803 297	2.150

Type	D [mm]	L [mm]	L1 [mm]	L2 [mm]	Rp [inch]
SK 10	60	385	341	335	1
SK 11	60	385	341	335	1
SK 12	60	385	341	335	1
SK 18	83	403	341	335	1 ½
SK 19	83	403	341	335	1 ½
SK 20	83	403	341	335	1 ½
SK 21	83	403	341	335	1 ½
SK 29	103	417	341	335	2
SK 30	103	417	341	335	2
SK 31	103	417	341	335	2
SK 40	122	457	342	335	2 ½
SK 41	122	457	342	335	2 ½

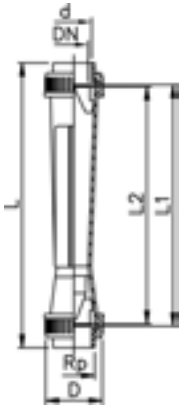


Standard version Float in PVDF with magnet With solvent cement sockets PVC-U metric

Model:

- Union nuts and valve ends in other materials on request
- Suitable limit switches see accessories for variable area flow meters

Type	d [mm]	DN [mm]	Scale range [l/h]	Taper tube in Polyamid O-rings in EPDM Code	Taper tube in Polysulfone O-rings in EPDM Code	Taper tube in PVC-U transp. O-Rings in EPDM Code	kg
SK 100	32	25	50 - 500	198 801 912	198 801 913	198 803 300	0.410
SK 110	32	25	100 - 1000	198 801 914	198 801 915	198 803 301	0.410
SK 120	32	25	150 - 1500	198 803 747	198 803 748	198 803 749	0.410
SK 180	50	40	200 - 2000	198 803 750	198 803 751	198 803 752	1.020
SK 190	50	40	250 - 2500	198 803 753	198 803 754	198 803 755	1.020
SK 200	50	40	300 - 3000	198 801 916	198 801 917	198 803 302	1.020
SK 210	50	40	600 - 6000	198 801 918	198 801 919	198 803 303	1.020
SK 290	63	50	600 - 6000	198 803 756	198 803 757	198 803 758	1.380
SK 300	63	50	1000 - 10000	198 801 920	198 801 921	198 803 304	1.380
SK 310	63	50	1500 - 15000	198 801 922	198 801 923	198 803 305	1.380
SK 400	75	65	2000 - 20000	198 801 334	198 801 335	198 803 306	2.150
SK 410	75	65	3000 - 30000	198 801 336	198 801 337	198 803 307	2.150



Type	D [mm]	L [mm]	L1 [mm]	L2 [mm]	Rp [inch]
SK 100	60	385	341	335	1
SK 110	60	385	341	335	1
SK 120	60	385	341	335	1
SK 180	83	403	341	335	1 ½
SK 190	83	403	341	335	1 ½
SK 200	83	403	341	335	1 ½
SK 210	83	403	341	335	1 ½
SK 290	103	417	341	335	2
SK 300	103	417	341	335	2
SK 310	103	417	341	335	2
SK 400	122	457	342	335	2 ½
SK 410	122	457	342	335	2 ½

Short version Float in PVDF without magnet With solvent cement sockets PVC-U metric

Model:

- Union nuts and valve ends in other materials on request



Type	d [mm]	DN [mm]	Scale range [l/h]	Taper tube in Polysulfone O-rings in EPDM Code	Taper tube in PVC-U transp. O-rings in EPDM Code	kg	
SK 50	16	10	2.5 - 25	198 801 880	198 803 310	0.080	
SK 51	16	10	5 - 50	198 801 881	198 803 311	0.080	
SK 52	16	10	10 - 100	198 801 882	198 803 312	0.080	
SK 60	20	15	8 - 80	198 801 883	198 803 313	0.130	
SK 61	20	15	15 - 150	198 801 884	198 803 314	0.130	
SK 62	20	15	20 - 200	198 801 885	198 803 315	0.130	
SK 70	32	25	15 - 150	198 801 886	198 803 316	0.240	
SK 71	32	25	30 - 300	198 801 887	198 803 317	0.240	
SK 72	32	25	50 - 500	198 801 888	198 803 318	0.240	
SK 73	32	25	100 - 1000	198 801 889	198 803 319	0.240	

Type	D [mm]	L [mm]	L1 [mm]	L2 [mm]	Rp [inch]	
SK 50	35	199	171	165	3/8	
SK 51	35	199	171	165	3/8	
SK 52	35	199	171	165	3/8	
SK 60	43	223	191	185	1/2	
SK 61	43	223	191	185	1/2	
SK 62	43	223	191	185	1/2	
SK 70	60	250	206	200	1	
SK 71	60	250	206	200	1	
SK 72	60	250	206	200	1	
SK 73	60	250	206	200	1	

Short version Float in PVDF with magnet With solvent cement sockets PVC-U metric

Model:

- Union nuts and valve ends in other materials on request
- Suitable limit switches see accessories for variable area flow meters



Type	d [mm]	DN [mm]	Scale range [l/h]	Taper tube in Polysulfone O-rings in EPDM Code	Taper tube in PVC-U transp. O-rings in EPDM Code	kg
SK 500	16	10	2.5 - 25	198 801 890	198 803 320	0.080
SK 510	16	10	5 - 50	198 801 891	198 803 321	0.080
SK 520	16	10	10 - 100	198 801 892	198 803 322	0.080
SK 600	20	15	8 - 80	198 801 893	198 803 323	0.130
SK 610	20	15	15 - 150	198 801 894	198 803 324	0.130
SK 620	20	15	20 - 200	198 801 895	198 803 325	0.130
SK 700	32	25	15 - 150	198 801 896	198 803 326	0.240
SK 710	32	25	30 - 300	198 801 897	198 803 327	0.240
SK 720	32	25	50 - 500	198 801 898	198 803 328	0.240
SK 730	32	25	100 - 1000	198 801 899	198 803 329	0.240

Type	D [mm]	L [mm]	L1 [mm]	L2 [mm]	Rp [inch]
SK 500	35	199	171	165	3/8
SK 510	35	199	171	165	3/8
SK 520	35	199	171	165	3/8
SK 600	43	223	191	185	1/2
SK 610	43	223	191	185	1/2
SK 620	43	223	191	185	1/2
SK 700	60	250	206	200	1
SK 710	60	250	206	200	1
SK 720	60	250	206	200	1
SK 730	60	250	206	200	1

Accessories Limit switch control bistable for standard version



Type	GK 01 Code	kg
SK100-120 / 190-210 / 300-410	198 801 936	0.050
SK 180 / SK 290	198 801 841	0.050



Accessories

Limit contact (min/max.)

For short version

Type	top Code	bottom Code	kg
SK500-730 GK 03 SK500-730 GK 04	198 801 878 -	- 198 801 879	0.080 0.024



Accessories

4-20 mA sensor

- Kit GK 05:
- 1 x sensor 4-20 mA
- 1 x float PVDF with magnet (monostable)
- Basic unit is standard version (without magnet)

Type	d [mm]	DN [mm]		Code	kg
GK 05	32	25	SK 10 / 11	199 190 334	0.286
GK 05	50	40	SK 20 / 21	199 190 335	0.420
GK 05	63	50	SK 30 / 31	199 190 336	0.610
GK 05	75	65	SK 40	199 190 337	0.610
GK 05	75	65	SK 41	199 190 338	0.610

Special scale for standard version

Water l/h

Type	Scale range [l/h]	Code	kg
SK 10 / 100	50 - 500	198 801 955	0.001
SK 11 / 110	100 - 1000	198 801 956	0.001
SK 12 / 120	150 - 1500	198 803 800	0.002
SK 18 / 180	200 - 2000	198 803 801	0.001
SK 19 / 190	250 - 2500	198 803 802	0.002
SK 20 / 200	300 - 3000	198 801 957	0.001
SK 21 / 210	600 - 6000	198 801 958	0.001
SK 29 / 290	600 - 6000	198 803 803	0.001
SK 30 / 300	1000 - 10000	198 801 959	0.001
SK 31 / 310	1500 - 15000	198 801 960	0.001
SK 40 / 400	2000 - 20000	198 801 876	0.001
SK 41 / 410	3000 - 30000	198 801 877	0.001

Special scale for standard version Water in %

Type	measure- ment range [%]	Code	kg
SK 10 / 110	10 - 100	198 802 076	0.001
SK 11 / 110	10 - 100	198 802 077	0.001
SK 12 / 120	10 - 100	198 803 804	0.001
SK 18 / 180	10 - 100	198 803 805	0.001
SK 19 / 190	10 - 100	198 803 806	0.001
SK 20 / 200	10 - 100	198 802 078	0.001
SK 21 / 210	10 - 100	198 802 079	0.001
SK 29 / 290	10 - 100	198 803 807	0.001
SK 30 / 300	10 - 100	198 802 080	0.001
SK 31 / 310	10 - 100	198 802 081	0.001
SK 40 / 410	10 - 100	198 802 082	0.001
SK 41 / 410	10 - 100	198 802 083	0.001

Special scale for standard version m³/h

Type	Scale range [m ³ /h]	Code	kg
SK 10 / 100	0,05 - 0,5	198 801 937	0.001
SK 11 / 110	0,1 - 1	198 801 938	0.001
SK 12 / 120	0,15 - 1,5	198 803 808	0.002
SK 18 / 180	0,2 - 2	198 803 809	0.001
SK 19 / 190	0,25 - 2,5	198 803 810	0.002
SK 20 / 200	0,3 - 3	198 801 939	0.001
SK 21 / 210	0,6 - 6	198 801 940	0.001
SK 29 / 290	0,6 - 6	198 803 811	0.002
SK 30 / 300	1 - 10	198 801 941	0.001
SK 31 / 310	1,5 - 15	198 801 942	0.001
SK 40 / 400	2 - 20	198 801 318	0.001
SK 41 / 410	3 - 30	198 801 319	0.001

Special scale for standard version Imp. GPM

Type	Scale range [gal/min]	Code	kg
SK 10 / 100	0,183 - 1,83	198 801 943	0.001
SK 11 / 110	0,366 - 3,66	198 801 944	0.001
SK 12 / 120	0,55 - 5,5	198 803 812	0.001
SK 18 / 180	0,733 - 7,33	198 803 813	0.001
SK 19 / 190	0,916 - 9,16	198 803 814	0.001
SK 20 / 200	1,09 - 10,9	198 801 945	0.001
SK 21 / 210	2,19 - 21,9	198 801 946	0.001
SK 29 / 290	2,2 - 22	198 803 815	0.001
SK 30 / 300	3,66 - 36,6	198 801 947	0.001
SK 31 / 310	5,49 - 54,9	198 801 948	0.010

Special scale for standard version US GPM

Type	Scale range [gal/min]	Code	kg
SK 10 / 100	0,22 - 2,2	198 801 949	0.001
SK 11 / 110	0,44 - 4,4	198 801 950	0.001
SK 12 / 120	0,66 - 6,6	198 803 816	0.002
SK 18 / 180	0,66 - 6,6	198 803 817	0.002
SK 19 / 190	1,1 - 11	198 803 818	0.001
SK 20 / 200	1,32 - 13,2	198 801 951	0.001
SK 21 / 210	2,64 - 26,4	198 801 952	0.001
SK 29 / 290	2,64 - 26,4	198 803 819	0.001
SK 30 / 300	4,40 - 44,02	198 801 953	0.001
SK 31 / 310	6,60 - 66,04	198 801 954	0.001
SK 40 / 400	8,80 - 88	198 801 320	0.001
SK 41 / 410	13,20 - 132	198 801 321	0.001

Special scale for standard version Air/0bar/Nm³/h

Type	Scale range [m ³ /h]	Code	kg
SK 10 / 100	2,1 - 16	198 801 284	0.001
SK 11 / 110	4,2 - 32	198 801 285	0.001
SK 18 / 180	10 - 70	198 803 821	0.002
SK 20 / 200	12,1 - 90	198 801 286	0.001
SK 21 / 210	21,1 - 177	198 801 287	0.001
SK 29 / 290	22 - 190	198 803 823	0.002
SK 30 / 300	34,2 - 276	198 801 288	0.001
SK 31 / 310	49,6 - 414	198 801 289	0.001
SK 40 / 400	60 - 580	198 801 322	0.001
SK 41 / 410	100 - 860	198 801 323	0.001

Special scale for standard version HCI 30-33% l/h

Type	Scale range [l/h]	Code	kg
SK 10 / 100	50 - 450	198 801 290	0.001
SK 11 / 110	150 - 900	198 801 291	0.002
SK 18 / 180	200 - 1900	198 803 825	0.002
SK 20 / 200	500 - 2500	198 801 292	0.001
SK 21 / 210	700 - 5000	198 801 293	0.001
SK 29 / 290	800 - 5600	198 803 827	0.001
SK 30 / 300	700 - 8500	198 801 294	0.001
SK 31 / 310	1000 - 12000	198 801 295	0.001
SK 40 / 400	2000 - 18000	198 801 324	0.001
SK 41 / 410	3600 - 25000	198 801 325	0.001

Special scale for standard version NaOH 30% I/h

Type	Scale range [l/h]	Code	kg
SK 10 / 100	15 - 240	198 801 296	0.001
SK 11 / 110	50 - 600	198 801 297	0.001
SK 18 / 180	100 - 1400	198 803 829	0.002
SK 20 / 200	200 - 2000	198 801 298	0.001
SK 21 / 210	500 - 4500	198 801 299	0.001
SK 29 / 290	400 - 4600	198 803 831	0.001
SK 30 / 300	500 - 7500	198 801 300	0.001
SK 31 / 310	800 - 11000	198 801 301	0.001
SK 40 / 400	1400 - 15000	198 801 326	0.001
SK 41 / 410	2000 - 20000	198 801 327	0.001

Special scale for standard version NaOH 50% I/h

Type	Scale range [l/h]	Code	kg
SK 10 / 100	2 - 60	198 801 302	0.001
SK 11 / 110	10 - 190	198 801 303	0.001
SK 18 / 180	20 - 600	198 803 833	0.001
SK 20 / 200	50 - 1000	198 801 304	0.001
SK 21 / 210	100 - 2500	198 801 305	0.001
SK 29 / 290	200 - 3400	198 803 835	0.002
SK 30 / 300	100 - 4750	198 801 306	0.001
SK 31 / 310	300 - 7000	198 801 307	0.001
SK 40 / 400	500 - 11000	198 801 328	0.001
SK 41 / 410	1000 - 14000	198 801 329	0.001

Special scale for short version Water I/h

Type	Scale range [l/h]	Code	kg
SK 50 / 500	2,5 - 25	198 801 386	0.001
SK 51 / 510	5 - 50	198 801 387	0.001
SK 52 / 520	10 - 100	198 801 388	0.001
SK 60 / 600	8 - 80	198 801 389	0.001
SK 61 / 610	15 - 150	198 801 390	0.001
SK 62 / 620	20 - 200	198 801 391	0.001
SK 70 / 700	15 - 150	198 801 392	0.001
SK 71 / 710	30 - 300	198 801 393	0.001
SK 72 / 720	50 - 500	198 801 394	0.001
SK 73 / 730	100 - 1000	198 801 395	0.001

Special scale for short version US GPM

Type	Scale range [gal/min]	Code	kg	
SK 50 / 500	0,01 - 0,11	198 801 961	0.001	
SK 51 / 510	0,02 - 0,22	198 801 962	0.001	
SK 52 / 520	0,04 - 0,44	198 801 963	0.001	
SK 60 / 600	0,03 - 0,35	198 801 964	0.001	
SK 61 / 610	0,06 - 0,66	198 801 965	0.001	
SK 62 / 620	0,08 - 0,88	198 801 966	0.001	
SK 70 / 700	0,06 - 0,66	198 801 967	0.001	
SK 71 / 710	0,13 - 1,32	198 801 968	0.001	
SK 72 / 720	0,22 - 2,20	198 801 969	0.001	
SK 73 / 730	0,44 - 4,40	198 801 970	0.001	

Special scale for short version Air/0bar/Nm³/h

Type	Scale range [m ³ /h]	Code	kg
SK 50 / 500	0,5 - 0,95	198 801 308	0.001
SK 51 / 510	0,5 - 1,9	198 801 309	0.001
SK 52 / 520	0,8 - 3,0	198 801 310	0.001
SK 60 / 600	0,6 - 2,8	198 801 311	0.001
SK 61 / 610	1,4 - 5,6	198 801 312	0.001
SK 62 / 620	1,5 - 7,0	198 801 313	0.001
SK 70 / 700	1,0 - 6,5	198 801 314	0.001
SK 71 / 710	1,5 - 11,0	198 801 315	0.001
SK 72 / 720	3,0 - 18,0	198 801 316	0.001
SK 73 / 730	6,0 - 30,0	198 801 317	0.001

Special scale for short version HCl 30 - 33% l/h

Type	Scale range [l/h]	Code	kg
SK 50 / 500	2,5 - 20	198 806 511	0.001
SK 51 / 510	5 - 40	198 806 512	0.001
SK 52 / 520	10 - 85	198 806 513	0.001
SK 60 / 600	8 - 70	198 806 514	0.001
SK 61 / 610	15 - 125	198 806 515	0.001
SK 62 / 620	20 - 170	198 806 516	0.001
SK 70 / 700	5 - 125	198 806 517	0.001
SK 71 / 710	30 - 260	198 806 518	0.001
SK 72 / 720	50 - 425	198 806 519	0.001
SK 73 / 730	100 - 850	198 806 520	0.001

Special scale for short version NaOH 30% l/h

Type	Scale range [l/h]	Code	kg
SK 50 / 500	0,2 - 5	198 806 521	0.001
SK 51 / 510	1 - 14	198 806 522	0.001
SK 52 / 520	3 - 35	198 806 523	0.001
SK 60 / 600	2 - 23	198 806 524	0.002
SK 61 / 610	3 - 55	198 806 525	0.001
SK 62 / 620	5 - 80	198 806 526	0.001
SK 70 / 700	3 - 55	198 806 527	0.001
SK 71 / 710	6 - 130	198 806 528	0.001
SK 72 / 720	10 - 250	198 806 529	0.001
SK 73 / 730	40 - 590	198 806 530	0.001

Special scale for short version NaOH 50% l/h

Type	Scale range [l/h]	Code	kg
SK 60 / 600	0,2 - 3,5	198 806 531	0.001
SK 61 / 610	0,5 - 10	198 806 532	0.001
SK 62 / 620	0,5 - 16	198 806 533	0.001
SK 70 / 700	0,5 - 11	198 806 534	0.001
SK 71 / 710	1 - 33	198 806 535	0.001
SK 72 / 720	2 - 80	198 806 536	0.001
SK 73 / 730	10 - 220	198 806 537	0.001

General information

PVC-U Piping systems for surface finish and varnishing technology

Silicon free / paint compatible
Growing environmental awareness, continually increasing requirements and regulations covering the emission of toxic substances have led to the development of water soluble varnishes and paints.

The use of new varnishing techniques can reduce emissions by up to 90%. For the production, transport and processing of water soluble paints and varnishes only pipe components can be used which are free from substances causing varnish wetting faults, such as silicones, certain greases, oils and waxes.

GF Piping Systems – an experienced partner
GF Piping Systems has collaborated closely from the very beginning with manufacturers, plant constructors and operators in this special field of surface finish and varnishing technology. We have successfully supplied plant constructors and users of varnishing processes, e. g. the automobile industry, for many years.

Maximum demands are made of our production:

- Silicon free separating agents in the moulding shop
- Absolute care during cleaning, installation and packing
- Uncompromising quality control
- Quality assurance system certified to ISO 9001



Fittings

The composition of the raw material (granulate) is silicon free. All standard fittings are produced with silicon free separating agents. The fittings are packed in a cardboard box after injection moulding in standard quantities (SP) protected by a plastic bag.

GF Piping Systems recommends the selection of standard packs when ordering fittings, in order to prevent contamination on the way to the final consumer.

Hand operated valves and unions

The individual parts of the valves and unions are cleaned with distilled water (14 megaohms) in a special cleaning process. They are assembled in a special working area wearing silicon free protective gloves. Sliding parts are smeared lightly in accordance with requirements with special lubricants suitable for varnishing, e. g. Synthese PRO AA4. Every valve and union is designated with the following sticker:



Valves and unions are packed individually in a sealed bag.

Seals

Seals are subjected to the same production, cleaning and packing process as hand operated valves and unions.

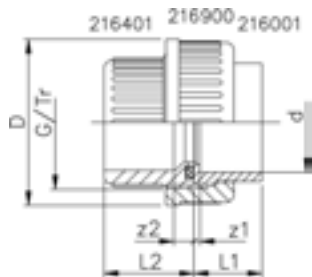
Maintenance

For safety reasons we recommend changing the entire valve body when dismantling the valves.

PVC-U Silicon Free

21 51 01

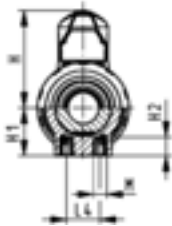
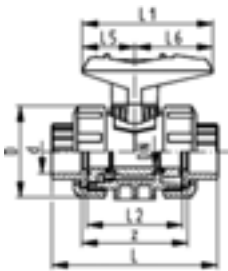
Unions for solvent cement jointing, PVC-U metric



Model:

- Silicon-free / paint-compatible
- Union End: solvent socket metric
- Union Bush: Solvent socket metric
- With O-ring gasket

d [mm]	PN	EPDM Code	FPM Code	kg	z1 [mm]	z2 [mm]	D [mm]	L [mm]	L1 [mm]	G/Tr	
10	16	721 510 178	721 510 153	0.020	3	10	31	22	15	5/8	
12	16	721 510 179	721 510 154	0.019	3	10	31	22	15	5/8	
16	16	721 510 180	721 510 155	0.031	3	10	35	24	17	3/4	
20	16	721 510 181	721 510 156	0.040	3	10	43	26	19	1	
25	16	721 510 182	721 510 157	0.066	3	10	51	29	22	1 1/4	
32	16	721 510 183	721 510 158	0.090	3	10	58	32	25	1 1/2	
40	16	721 510 184	721 510 159	0.175	3	12	72	38	29	2	
50	16	721 510 185	721 510 160	0.215	3	14	83	45	34	2 1/4	
63	16	721 510 186	721 510 161	0.380	3	18	100	56	41	2 3/4	
75	10	721 510 187	721 510 162	0.615	3	18	135	62	47	Tr 108x5	
90	10	721 510 188	721 510 163	0.925	5	18	158	69	56	Tr 128x5	
110	10	721 510 189	721 510 164	1.425	5	11	188	72	66	Tr 154x6	






Ball valve type 546 PVC-U SF With mounting inserts With solvent cement sockets metric




Model:

- Image and drawing DN65-100 please see "New product ball valve DN65-100"
- Silicon-free / paint-compatible
- For easy installation and removal
- z-dimension, valve end and valve nut are **not compatible** with type 346 (DN10/15-50) resp. type 370 (DN65-100)
- With PVDF ball seal
- Integrated stainless steel mounting inserts

Option:

- Individual configuration of the valve (see form)
- Multifunctional module with integrated limit switches

d [mm]	DN [mm]	PN	kv-value ($\Delta p=1$ bar) [l/min]	EPDM Code	FPM Code	kg
16	10	16	71	800 000 601	800 000 611	0.150
20	15	16	185	800 000 602	800 000 612	0.150
25	20	16	350	800 000 603	800 000 613	0.230
32	25	16	700	800 000 604	800 000 614	0.330
40	32	16	1000	800 000 605	800 000 615	0.600
50	40	16	1600	800 000 606	800 000 616	0.800
63	50	16	3100	800 000 607	800 000 617	1.460
 75	65	16	5000	800 000 608	800 000 618	4.900
 90	80	16	7000	800 000 609	800 000 619	7.400
 110	100	16	11000	800 000 610	800 000 620	11.600

d [mm]	D [mm]	H [mm]	H1 [mm]	H2 [mm]	L [mm]	L1 [mm]	L2 [mm]	L4 [mm]	L5 [mm]	L6 [mm]	M	z [mm]
16	50	57	27	12	92	77	56	25	32	45	M6	64
20	50	57	27	12	95	77	56	25	32	45	M6	64
25	58	67	30	12	110	97	65	25	39	58	M6	72
32	68	73	36	12	123	97	71	25	39	58	M6	79
40	84	90	44	15	146	128	85	45	54	74	M8	94
50	97	97	51	15	157	128	89	45	54	74	M8	95
63	124	116	64	15	183	152	101	45	66	87	M8	107
 75	166	149	85	15	233	270	136	70	64	206	M8	144
 90	200	161	105	15	254	270	141	70	64	206	M8	151
 110	238	178	123	22	301	320	164	120	64	256	M12	174



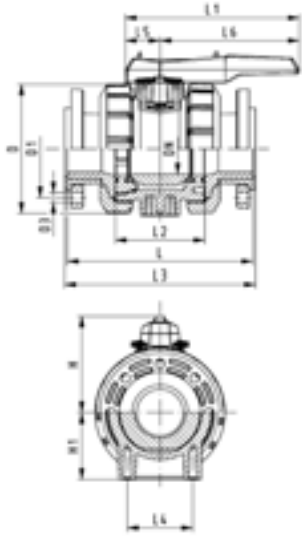
Ball valve type 546 PVC-U SF With mounting inserts With backing flanges PVC-U metric

Model:

- Image and drawing DN65-100 please see "New product ball valve DN65-100"
- Silicon-free / paint-compatible
- For easy installation and removal
- z-dimension, valve end and valve nut are **not compatible** with type 346 (DN10/15-50) resp. type 370 (DN65-100)
- With PVDF ball seal
- Integrated stainless steel mounting inserts
- Overall length according to EN 558
- Connecting dimension: ISO 7005 PN10, EN 1092 PN10, DIN 2501 PN10

Option:

- Individual configuration of the valve (see form)
- Multifunctional module with integrated limit switches



d [mm]	DN [mm]	PN	kv-value ($\Delta p=1$ bar) [l/min]	EPDM Code	FPM Code	kg	
75	65	10	5000	161 546 128	161 546 138	7.200	
90	80	10	7000	161 546 129	161 546 139	10.600	
110	100	10	11000	161 546 130	161 546 140	16.500	

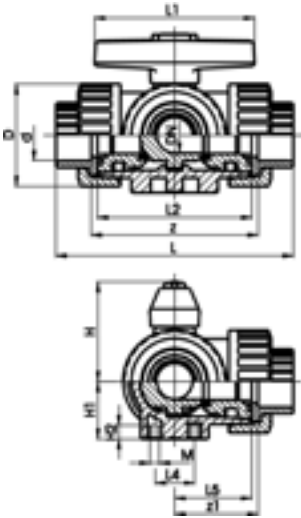
d [mm]	D [mm]	D1 [mm]	D3 [mm]	L [mm]	L1 [mm]	L2 [mm]	L3 [mm]	L4 [mm]	L5 [mm]	L6 [mm]	H [mm]	H1 [mm]	M	
75	166	145	18	284	270	136	290	70	64	206	149	85	8	
90	200	160	18	300	270	141	310	70	64	206	161	105	8	
110	238	180	18	340	320	164	350	120	64	256	178	123	12	



3-Way ball valve type 343 PVC-U SF Horizontal/ L-port With solvent cement sockets metric

Model:

- L-port ball
- Silicon-free / paint-compatible
- Union ends for easy installation and removal
- Pneumatic or electric actuator available separately
- Angle of operation 360°, without turn limiter



d [mm]	DN [mm]	PN	kv-value ($\Delta p=1$ bar) [l/min]	EPDM Code	FPM Code	kg	
16	10	10	50	161 343 141	161 343 151	0.199	
20	15	10	75	161 343 142	161 343 152	0.199	
25	20	10	150	161 343 143	161 343 153	0.370	
32	25	10	280	161 343 144	161 343 154	0.504	
40	32	10	480	161 343 145	161 343 155	0.838	
50	40	10	620	161 343 146	161 343 156	1.359	
63	50	10	1230	161 343 147	161 343 157	2.622	

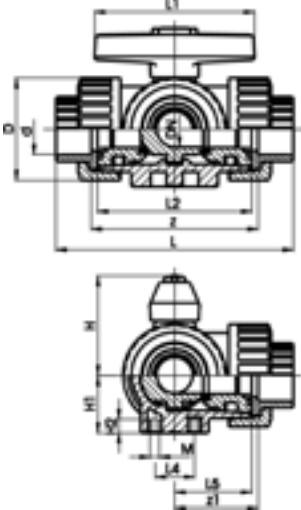
d [mm]	z [mm]	z1 [mm]	D [mm]	L [mm]	L1 [mm]	L2 [mm]	L4 [mm]	L5 [mm]	H [mm]	H1 [mm]	H2 [mm]	M
16	80	40	45	108	78	72	25	36	50	27	8	6
20	80	40	45	111	78	72	25	36	50	27	8	6
25	94	47	53	131	92	86	25	43	60	33	8	6
32	104	52	65	148	100	96	25	48	68	36	8	6
40	126	63	78	176	110	116	45	58	79	44	9	8
50	144	72	92	206	120	137	45	69	90	49	9	8
63	186	93	116	262	146	179	45	90	109	61	9	8



3-Way ball valve type 343 PVC-U SF Horizontal/ T-port With solvent cement sockets metric

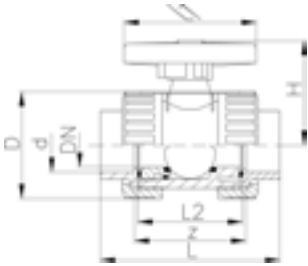
Model:

- T-port ball
- Silicon-free / paint-compatible
- Union ends for easy installation and removal
- Pneumatic or electric actuator available separately
- Angle of operation 90°, without turn limiter



d [mm]	DN [mm]	PN	kv-value ($\Delta p=1$ bar) [l/min]	EPDM Code	FPM Code	kg	
16	10	10	140	161 343 341	161 343 351	0.199	
20	15	10	200	161 343 342	161 343 352	0.199	
25	20	10	470	161 343 343	161 343 353	0.370	
32	25	10	793	161 343 344	161 343 354	0.504	
40	32	10	1290	161 343 345	161 343 355	0.838	
50	40	10	1910	161 343 346	161 343 356	1.359	
63	50	10	3100	161 343 347	161 343 357	2.622	

d [mm]	z [mm]	z1 [mm]	D [mm]	L [mm]	L1 [mm]	L2 [mm]	L4 [mm]	L5 [mm]	H [mm]	H1 [mm]	H2 [mm]	M
16	80	40	45	108	78	72	25	36	50	27	8	6
20	80	40	45	111	78	72	25	36	50	27	8	6
25	94	47	53	131	92	86	25	43	60	33	8	6
32	104	52	65	148	100	96	25	48	68	36	8	6
40	126	63	78	176	110	116	45	58	79	44	9	8
50	144	72	92	206	120	137	45	69	90	49	9	8
63	186	93	116	262	146	179	45	90	109	61	9	8



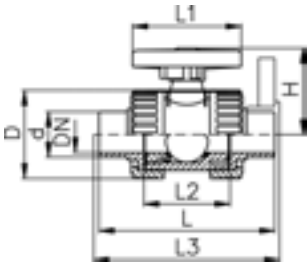
Metering ball valve type 323 PVC-U SF With solvent cement sockets metric

Model:

- Silicon-free / paint-compatible
- For easy installation and removal
- Ball seals PVDF
- Angle of operation 180° with scale

d [mm]	DN [mm]	PN	kv-value ($\Delta p=1$ bar) [l/min]	EPDM Code	FPM Code	kg
16	10	10	11	161 323 001	161 323 011	0.158
20	15	10	20	161 323 002	161 323 012	0.169

d [mm]	z [mm]	D [mm]	L [mm]	L1 [mm]	L2 [mm]	H [mm]
16	71	45	99	78	63	50
20	71	45	102	78	63	50



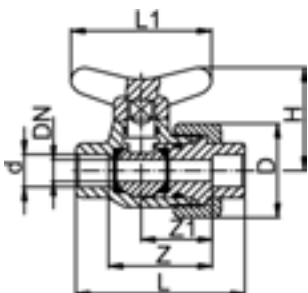
Metering ball valve type 323 PVC-U SF With solvent cement spigots metric

Model:

- Silicon-free / paint-compatible
- For easy installation and removal
- Ball seals PVDF
- Angle of operation 180° with scale
- Overall length EN 558

d [mm]	DN [mm]	PN	kv-value ($\Delta p=1$ bar) [l/min]	EPDM Code	FPM Code	kg
16	10	10	11	161 323 041	161 323 051	0.158
20	15	10	20	161 323 042	161 323 052	0.169

d [mm]	D [mm]	L [mm]	L1 [mm]	L2 [mm]	L3 [mm]	H [mm]
16	43	114	78	63	120	50
20	43	124	78	63	130	50



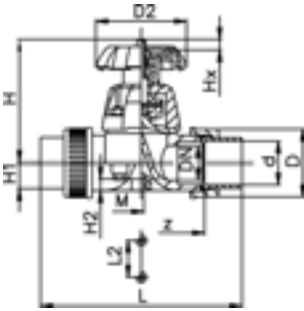
Laboratory ball cock type 322 PVC-U SF With solvent cement sockets metric

Model:

- Silicon-free / paint-compatible
- Disconnection one end only
- Ball seals PVDF

d [mm]	DN [mm]	PN	kv-value ($\Delta p=1$ bar) [l/min]	EPDM Code	FPM Code	kg
10	6	10	11	161 322 251	161 322 256	0.042
12	8	10	20	161 322 252	161 322 257	0.045

d [mm]	z [mm]	z1 [mm]	D [mm]	L [mm]	L1 [mm]	H [mm]
10	26	15	34	52	45	38
12	36	25	34	60	45	38



Diaphragm valve type 314 PVC-U SF With solvent cement sockets metric

Model:

- Silicon-free / paint-compatible
- For easy installation and removal
- Short overall length

Option:

- Handwheel with built-in locking mechanism (standard version is nonlockable)

d [mm]	DN [mm]	PN	kv-value ($\Delta p=1$ bar) [l/min]	EPDM Code	PTFE with EPDM supp. diaphragm Code	kg					
20	15	10	72	161 314 717	161 314 732	0.400					
25	20	10	137	161 314 718	161 314 733	0.630					
32	25	10	207	161 314 719	161 314 734	0.880					
40	32	10	354	161 314 720	161 314 735	1.140					
50	40	10	517	161 314 721	161 314 736	1.540					
63	50	10	713	161 314 722	161 314 737	2.805					

d [mm]	z [mm]	D [mm]	L [mm]	L1 [mm]	L2 [mm]	H [mm]	H1 [mm]	H2 [mm]	M	Lift = Hx [mm]	
20	96	43	128	80	25	90	14	12	M6	8	
25	114	51	152	80	25	102	18	12	M6	11	
32	122	58	166	94	25	119	21	12	M6	13	
40	140	72	192	117	45	126	26	15	M8	16	
50	160	83	222	117	45	139	33	15	M8	21	
63	190	100	266	152	45	172	39	15	M8	28	



Diaphragm valve type 317 PVC-U SF With flanges PVC-U metric

Model:

- Silicon-free / paint-compatible
- Jointing face flat
- DN 15-65 with backing flange
- DN 80-150 with fixed flange
- Overall length according to EN 558
- Connecting dimension: ISO 7005 PN 10, EN 1092 PN 10, DIN 2501 PN 10, BS 4504 PN 10

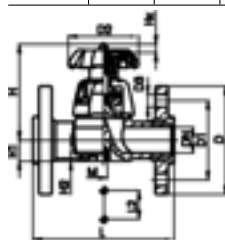
Option:

- Handwheel lockable DN15-65 (basic version not lockable)

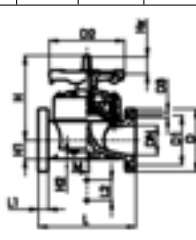
* DN80 and DN150 fixed flanges metric and Inch ANSI B16.5

d [mm]	DN [mm]	Inch	PN	kv-value ($\Delta p=1$ bar) [l/min]	EPDM Code	PTFE with EPDM supp. diaphragm Code	kg
20	15	½	10	72	161 317 717	161 317 732	0.400
25	20	¾	10	137	161 317 718	161 317 733	0.630
32	25	1	10	207	161 317 719	161 317 734	0.880
40	32	1 ¼	10	354	161 317 720	161 317 735	1.140
50	40	1 ½	10	517	161 317 721	161 317 736	1.540
63	50	2	10	713	161 317 722	161 317 737	2.805
75	65	2 ½	10	992	161 317 723	161 317 738	4.420
*90	80	3	10	1700	161 317 424	161 317 439	9.600
110	100	4	10	2700	161 317 425	161 317 440	13.360
*160	150	6	7	6033	161 317 427	161 317 442	29.250

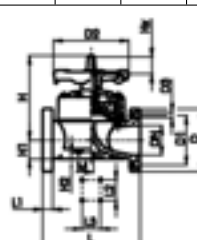
d [mm]	D [mm]	D1 [mm]	D2 [mm]	D3 [mm]	L [mm]	L1 [mm]	L2 [mm]	L3 [mm]	H [mm]	H1 [mm]	H2 [mm]	M	AL	Lift = Hx [mm]
20	95	65	80	14	130		25		90	14	12	M6	4	8
25	105	75	80	14	150		25		102	18	12	M6	4	11
32	115	85	94	14	160		25		119	21	12	M6	4	13
40	140	100	117	18	180		45		126	26	15	M8	4	16
50	150	110	117	18	200		45		139	33	15	M8	4	21
63	165	125	152	18	230		45		172	39	15	M8	4	28
75	185	145	152	18	290		70		201	46	15	M8	4	30
*90	200	160	270	18	310	35	120		265	57	23	M12	8	40
110	225	180	270	18	350	35	120		304	69	23	M12	8	50
*160	285	240	400	23	480	26	100	200	437	108	23	M12	8	70



DN 15-65



DN 80-100



DN 150

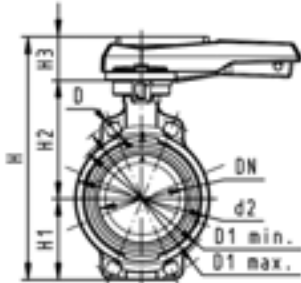


Butterfly valve type 567 PVC-U SF Hand lever with ratchet settings

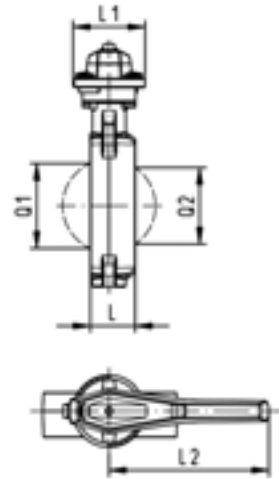


Model:

- Silicon-free / paint-compatible
- Connecting dimension: ISO 7005 PN 10, EN 1092 PN 10, DIN 2501 PN 10, ANSI/ASME B 16.5 Class 150, BS 1560: 1989, BS 4504, JIS B 2220
- Overall length according to EN 558, ISO 5752



d [mm]	DN [mm]	Inch	PN	kv-value ($\Delta p=1$ bar) [l/min]	EPDM Code	FPM Code	kg
63	50	2	10	1470	161 567 402	161 567 422	1.044
75	65	2 ½	10	2200	161 567 403	161 567 423	1.148
90	80	3	10	3000	161 567 404	161 567 424	1.315
110	100	4	10	6500	161 567 405	161 567 425	1.983
140	125	5	10	11500	161 567 406	161 567 426	2.554
160	150	6	10	16600	161 567 407	161 567 427	3.564
225	200	8	10	39600	161 567 408	161 567 428	5.541



d [mm]	D [mm]	D1 min. [mm]	D1 max. [mm]	d2 [mm]	H [mm]	H1 [mm]	H2 [mm]	H3 [mm]	L [mm]	L1 [mm]	L2 [mm]	Q1 [mm]	Q2 [mm]
63	19	120.0	125.0	104	264	77	134	54	45	106	205	40	
75	19	139.7	145.0	115	277	83	140	54	46	106	205	54	35
90	19	150.0	160.0	131	289	89	146	54	49	106	205	67	50
110	19	175.0	190.5	161	325	104	167	55	56	106	255	88	74
140	23	210.0	215.9	187	352	117	181	55	64	106	255	113	97
160	24	241.3	241.3	215	373	130	189	55	72	106	255	139	123
225	23	290.0	295.0	267	435	158	210	67	73	140	408	178	169

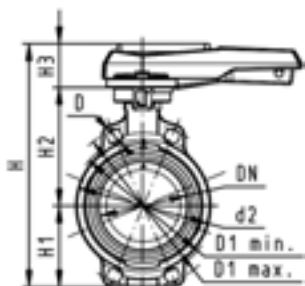


Butterfly valve type 567 PVC-U OF Hand lever with ratchet settings

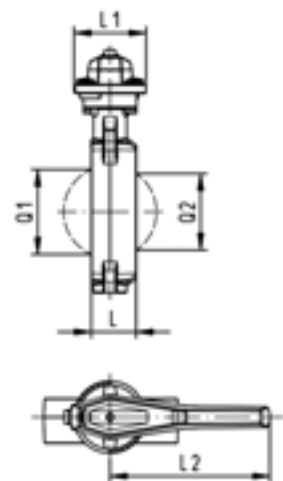


Model:

- Oil free
- Connecting dimension: ISO 7005 PN 10, EN 1092 PN 10, DIN 2501 PN 10, ANSI/ASME B 16.5 Class 150, BS 1560: 1989, BS 4504, JIS B 2220
- Overall length according to EN 558, ISO 5752



d [mm]	DN [mm]	Inch	PN	kv-value ($\Delta p=1$ bar) [l/min]	EPDM Code	kg
63	50	2	10	1470	161 567 502	1.040
75	65	2 ½	10	2200	161 567 503	1.143
90	80	3	10	3000	161 567 504	1.308
110	100	4	10	6500	161 567 505	1.969
140	125	5	10	11500	161 567 506	2.536
160	150	6	10	16600	161 567 507	3.541
225	200	8	10	39600	161 567 508	5.513



d [mm]	D [mm]	D1 min. [mm]	D1 max. [mm]	d2 [mm]	H [mm]	H1 [mm]	H2 [mm]	H3 [mm]	L [mm]	L1 [mm]	L2 [mm]	Q1 [mm]	Q2 [mm]
63	19	120.0	125.0	104	264	77	134	54	45	106	205	40	
75	19	139.7	145.0	115	277	83	140	54	46	106	205	54	35
90	19	150.0	160.0	131	289	89	146	54	49	106	205	67	50
110	19	175.0	190.5	161	325	104	167	55	56	106	255	88	74
140	23	210.0	215.9	187	352	117	181	55	64	106	255	113	97
160	24	241.3	241.3	215	373	130	189	55	72	106	255	139	123
225	23	290.0	295.0	267	435	158	210	67	73	140	408	178	169

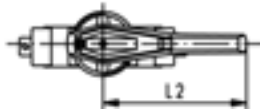
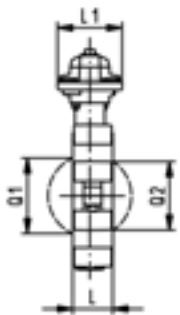
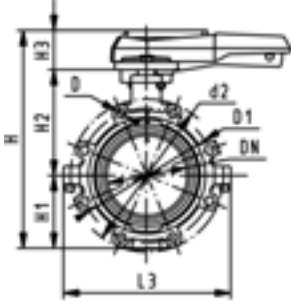


Lugstyle butterfly valve type 568 PVC-U SF Hand lever with ratchet settings



Model:

- Silicon-free / paint-compatible
- Outer body in GGG-40.3 epoxy-coated
- Connecting dimension: ISO 7005 PN10, EN 1092 PN10, DIN 2501 PN10
- Overall length according to EN 558, ISO 5752



d [mm]	DN [mm]	Inch	PN	kv-value ($\Delta p=1$ bar) [l/min]	EPDM Code	FPM Code	kg
63	50	2	10	1470	161 568 402	161 568 422	3.130
75	65	2 ½	10	2200	161 568 403	161 568 423	3.484
90	80	3	10	3000	161 568 404	161 568 424	4.526
110	100	4	10	6500	161 568 405	161 568 425	6.067
140	125	5	10	11500	161 568 406	161 568 426	8.020
160	150	6	10	16600	161 568 407	161 568 427	10.024
225	200	8	10	39600	161 568 408	161 568 428	15.489

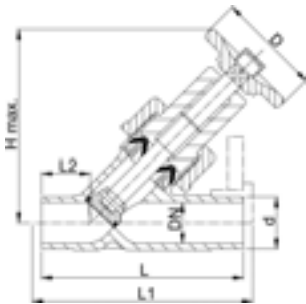
d [mm]	d2 [mm]	D	D1 [mm]	H [mm]	H1 [mm]	H2 [mm]	H3 [mm]	L [mm]	L1 [mm]	L2 [mm]	L3 [mm]	Q1 [mm]	Q2 [mm]
63	150	M16	125	265	77	134	54	45	106	205	150	40	
75	170	M16	145	277	83	140	54	46	106	205	160	54	35
90	184	M16	160	289	89	146	54	49	106	205	205	67	50
110	216	M16	180	326	104	167	55	56	106	255	244	88	74
140	246	M16	210	353	117	181	55	64	106	255	272	113	97
160	273	M20	240	374	130	189	55	72	106	255	297	139	123
225	334	M20	295	435	158	210	57	73	140	408	360	178	169



Angle seat valve type 300 PVC-U SF With solvent cement spigots metric

Model:

- Silicon-free / paint-compatible
- For horizontal or vertical installation
- Overall length EN 558



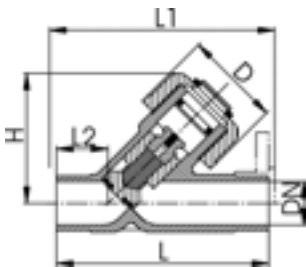
d [mm]	DN [mm]	PN	kv-value ($\Delta p=1$ bar) [l/min]	PE Code	kg	D [mm]	L [mm]	L1 [mm]	L2 [mm]	H max. [mm]
16	10	10	41	161 300 800	0.125	50	114	120	24	105
20	15	10	95	161 300 801	0.180	63	124	130	28	126
25	20	10	180	161 300 802	0.250	63	144	150	37	140
32	25	10	327	161 300 803	2.600	80	154	160	37	166
40	32	10	484	161 300 804	0.580	80	174	180	44	191
50	40	10	725	161 300 805	1.005	100	194	200	48	233
63	50	10	1130	161 300 806	0.944	100	224	230	60	264
75	65	10	1700	161 300 807	2.610	160	284	290	74	335
90	80	10	2500	161 300 808	3.945	200	300	310	85	390



Angle seat check valve type 303 PVC-U SF With solvent cement spigots metric

Model:

- Silicon-free / paint-compatible
- For horizontal or vertical installation
- Leakproof even at minimum pressure
- Overall length EN 558



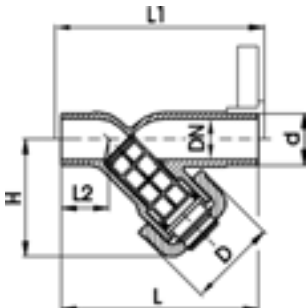
d [mm]	DN [mm]	PN	kv-value ($\Delta p=1$ bar) [l/min]	EPDM Code	FPM Code	kg	D [mm]	L [mm]	L1 [mm]	L2 [mm]	H [mm]
16	10	10	41	161 303 015	161 303 040	0.094	39	114	120	24	58
20	15	10	95	161 303 016	161 303 041	0.132	43	124	130	28	65
25	20	10	180	161 303 017	161 303 042	0.200	47	144	150	37	75
32	25	10	327	161 303 018	161 303 043	0.323	56	154	160	37	90
40	32	10	484	161 303 019	161 303 044	0.498	64	174	180	44	102
50	40	10	725	161 303 020	161 303 045	0.860	82	194	200	48	123
63	50	10	1130	161 303 021	161 303 046	1.455	95	224	230	60	144
75	65	10	1700	161 303 022	161 303 047	2.450	92	284	290	74	186
90	80	10	2500	161 303 023	161 303 048	3.511	104	300	310	85	204



Line strainer type 305 PVC-U SF Transparent body with solvent cement spigots metric

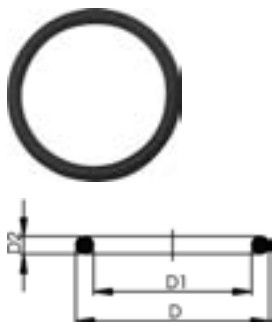
Model:

- Silicon-free / paint-compatible
- With screen PVC-U, perforation \varnothing 0.8 mm
- Overall length EN 558



d [mm]	DN [mm]	PN	kv-value ($\Delta p=1$ bar) [l/min]	EPDM Code	FPM Code	kg	D [mm]	L [mm]	L1 [mm]	L2 [mm]	H [mm]
20	15	10	35	192 305 821	192 305 831	0.114	43	124	130	28	65
25	20	10	63	192 305 822	192 305 832	0.170	47	144	150	37	76
32	25	10	85	192 305 823	192 305 833	0.255	56	154	160	37	90
40	32	10	150	192 305 824	192 305 834	0.386	64	174	180	44	104
50	40	10	225	192 305 825	192 305 835	0.643	82	194	200	48	124
63	50	10	346	192 305 826	192 305 836	1.033	95	224	230	60	148
75	65	10	535	192 305 827	192 305 837	1.835	106	284	290	74	188
90	80	10	750	192 305 828	192 305 838	2.565	120	300	310	85	205

EPDM 48 41 30
FPM 49 41 30



O-Ring Gaskets

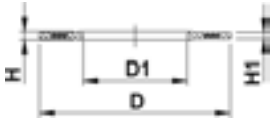
Model:

- Silicon-free / paint-compatible
- Fulfill chloroform contact test
- Hardness approx. 65° Shore
- For flange adaptors, jointing face with O-ring groove
- **Only standard packagings SP are delivered**

d [mm]	DN [mm]	EPDM Code	FPM Code	kg	D [mm]	D1 [mm]	D2 [mm]
20	15	748 413 001	749 413 001	0.002	30	23	4
25	20	748 413 007	749 413 007	0.002	35	28	4
32	25	748 413 002	749 413 002	0.003	43	36	4
40	32	748 413 003	749 413 003	0.007	55	44	5
50	40	748 413 012	749 413 012	0.008	64	53	5
63	50	748 413 013	749 413 013	0.011	80	69	5
75	65	748 413 014	749 413 014	0.012	93	82	5
90	80	748 413 015	749 413 015	0.015	112	101	5
110	100	748 413 016	749 413 016	0.031	134	120	7
125	100	748 413 017	749 413 017	0.036	149	136	7
140	125	748 413 018	749 413 018	0.039	166	152	7
160	150	748 413 019	749 413 019	0.047	191	177	7
200	200	748 413 163	749 413 163	0.056	136	222	7
225	200	748 413 022	749 413 022	0.060	255	241	7
250	250	748 413 182	749 413 182	0.100	280	266	7
280	250	748 413 173	749 413 173	0.144	305	292	7

EPDM 48 44 11
FPM 49 44 11

Flange Gaskets SF



Model:

- Silicon-free / paint-compatible
- Fulfill chloroform contact test
- Hardness: 70° Shore **EPDM**, 75° Shore **FPM**
- For flange adaptors, jointing face flat/serrated

d [mm]	EPDM Code	FPM Code	kg	D [mm]	D1 [mm]	H [mm]	H1 [mm]
20	748 441 101	749 441 101	0.008	51	20	4	3
25	748 441 102	749 441 102	0.011	61	25	4	3
32	748 441 103	749 441 103	0.014	71	32	4	3
40	748 441 104	749 441 104	0.020	82	40	4	3
50	748 441 105	749 441 105	0.021	92	50	4	3
63	748 441 106	749 441 106	0.040	107	63	5	4
75	748 441 107	749 441 107	0.054	127	75	5	4
90	748 441 108	749 441 108	0.060	142	90	5	4
110	748 441 109	749 441 109	0.083	162	110	6	5
125	748 441 110	749 441 110	0.154	192	125	6	5
140	748 441 111	749 441 111	0.115	192	140	6	5
160	748 441 112	749 441 112	0.149	218	160	8	6
200	748 441 114	749 441 114	0.257	273	200	8	6
225	748 441 115	749 441 115	0.177	273	225	8	6
250	748 441 116	749 441 116	0.400	303	250	8	6
280	748 441 117	749 441 117	0.220	328	280	8	6

FPM 49 40 13

Flat Gaskets

Model:

- Silicon-free / paint-compatible
- Fulfill chloroform contact test
- Hardness approx. 65° Shore
- For flange adaptors, jointing face serrated
- **Only standard packagings SP are delivered**



d [mm]	DN [mm]	FPM Code	kg	D [mm]	D1 [mm]	H [mm]
16	10	-		27	16	2
20	15	749 401 315	0.003	32	20	2
25	20	749 401 316	0.003	39	25	2
32	25	749 401 317	0.004	48	32	2
40	32	749 401 318	0.008	59	40	3
50	40	749 401 319	0.012	71	50	3
63	50	749 401 320	0.017	88	63	3
75	65	749 401 321	0.024	104	75	3
90	80	749 401 322	0.032	123	90	3
110	100	749 401 323	0.062	148	110	4
125	100	749 401 324	0.058	168	125	4
140	125	749 401 325	0.058	186	140	4
160	150	749 401 326	0.063	211	160	4
225	200	749 401 327	0.103	272	220	5

Code-Index

Code	Page
160 100 250	186
160 100 300	186
160 100 350	186
160 480 106	129
161 017 037	14
161 017 038	14
161 017 039	14
161 017 040	14
161 017 041	14
161 017 042	14
161 017 043	14
161 017 044	14
161 017 045	14
161 017 046	14
161 017 047	14
161 017 048	14
161 017 060	13
161 017 061	13
161 017 062	13
161 017 063	13
161 017 064	13
161 017 066	13
161 017 067	13
161 017 068	13
161 017 069	13
161 017 070	13
161 017 071	13
161 017 072	13
161 017 073	13
161 017 074	13
161 017 082	13
161 017 083	13
161 017 084	13
161 017 085	13
161 017 086	13
161 017 087	13
161 017 088	13
161 017 089	13
161 017 090	13
161 017 091	13
161 017 092	13
161 017 093	13
161 017 094	13
161 017 095	13
161 017 096	13
161 017 097	13
161 017 098	13
161 017 104	12
161 017 105	12
161 017 106	12
161 017 107	12
161 017 108	12
161 017 109	12
161 017 110	12
161 017 111	12
161 017 112	12
161 017 113	12
161 017 114	12
161 017 115	12
161 017 116	12
161 017 117	12
161 017 126	12
161 017 127	12
161 017 128	12
161 017 129	12
161 017 130	12
161 017 131	12

Code	Page
161 017 132	12
161 017 133	12
161 017 134	12
161 017 135	12
161 017 136	12
161 017 137	12
161 017 138	12
161 017 139	12
161 050 026	181
161 050 027	181
161 050 028	181
161 050 029	181
161 050 030	181
161 050 031	181
161 050 032	181
161 050 033	181
161 050 034	181
161 050 206	45
161 050 207	45
161 050 208	45
161 050 209	45
161 050 210	45
161 050 211	45
161 050 212	45
161 050 213	45
161 050 214	45
161 050 245	44
161 050 246	44
161 050 247	44
161 050 248	44
161 050 249	44
161 050 250	44
161 050 251	44
161 050 345	44
161 050 346	44
161 050 347	44
161 050 348	44
161 050 349	44
161 050 350	44
161 050 351	44
161 050 445	43
161 050 446	43
161 050 447	43
161 050 448	43
161 050 449	43
161 050 450	43
161 050 451	43
161 090 002	182
161 090 003	182
161 090 018	182
161 090 019	182
161 090 024	182
161 110 230	65
161 110 250	65
161 110 260	65
161 110 290	65
161 110 310	65
161 111 035	65
161 111 036	65
161 111 046	65
161 111 055	65
161 111 056	65
161 111 065	65
161 111 066	65
161 111 067	65
161 111 095	65
161 111 096	65

Code	Page
161 111 097	65
161 111 116	65
161 111 117	65
161 123 250	158
161 123 300	158
161 123 350	158
161 123 400	158
161 123 450	158
161 300 250	156
161 300 258	160
161 300 299	156
161 300 300	156
161 300 301	179
161 300 308	160
161 300 349	156
161 300 350	156
161 300 351	179
161 300 358	160
161 300 399	156
161 300 400	156
161 300 401	160
161 300 408	160
161 300 449	156
161 300 450	156
161 300 451	160
161 300 458	160
161 300 499	156
161 300 500	156
161 300 501	160
161 300 508	160
161 300 549	156
161 300 550	156
161 300 551	160
161 300 558	160
161 300 599	156
161 300 600	156
161 300 601	161
161 300 649	156
161 300 650	156
161 300 651	161
161 300 699	156
161 300 800	306
161 300 801	306
161 300 802	306
161 300 803	306
161 300 804	306
161 300 805	306
161 300 806	306
161 300 807	306
161 300 808	306
161 303 005	159
161 303 006	159
161 303 007	159
161 303 008	159
161 303 009	159
161 303 010	159
161 303 011	159
161 303 012	159
161 303 013	159
161 303 015	306
161 303 016	306
161 303 017	306
161 303 018	306
161 303 019	306
161 303 020	306
161 303 021	306
161 303 022	306

Code-Index

Code	Page
161 303 023	306
161 303 030	159
161 303 031	159
161 303 032	159
161 303 033	159
161 303 034	159
161 303 035	159
161 303 036	159
161 303 037	159
161 303 038	159
161 303 040	306
161 303 041	306
161 303 042	306
161 303 043	306
161 303 044	306
161 303 045	306
161 303 046	306
161 303 047	306
161 303 048	306
161 305 300	176
161 305 303	179
161 305 336	178
161 305 337	177
161 305 338	177
161 305 339	177
161 305 349	176
161 305 350	176
161 305 353	179
161 305 386	178
161 305 387	177
161 305 388	177
161 305 389	177
161 305 399	176
161 305 400	176
161 305 403	179
161 305 436	178
161 305 437	177
161 305 438	177
161 305 439	177
161 305 449	176
161 305 450	176
161 305 453	179
161 305 486	178
161 305 487	177
161 305 488	177
161 305 489	177
161 305 499	176
161 305 500	176
161 305 503	179
161 305 536	178
161 305 537	177
161 305 538	177
161 305 539	177
161 305 549	176
161 305 550	176
161 305 553	179
161 305 586	178
161 305 587	177
161 305 588	177
161 305 589	177
161 305 599	176
161 305 600	176
161 305 603	180
161 305 604	161
161 305 636	178
161 305 637	177
161 305 638	177

Code	Page
161 305 639	177
161 305 649	176
161 305 650	176
161 305 653	180
161 305 654	161
161 305 686	178
161 305 687	177
161 305 688	177
161 305 689	177
161 305 699	176
161 314 401	135
161 314 402	135
161 314 403	135
161 314 404	135
161 314 405	135
161 314 406	135
161 314 407	135
161 314 416	135
161 314 417	135
161 314 418	135
161 314 419	135
161 314 420	135
161 314 421	135
161 314 422	135
161 314 431	135
161 314 432	135
161 314 433	135
161 314 434	135
161 314 435	135
161 314 436	135
161 314 437	135
161 314 446	135
161 314 447	135
161 314 448	135
161 314 449	135
161 314 450	135
161 314 451	135
161 314 452	135
161 314 461	135
161 314 462	135
161 314 463	135
161 314 464	135
161 314 465	135
161 314 466	135
161 314 467	135
161 314 477	137
161 314 478	137
161 314 479	137
161 314 480	137
161 314 481	137
161 314 482	137
161 314 502	136
161 314 503	136
161 314 504	136
161 314 504	136
161 314 505	136
161 314 506	136
161 314 507	136
161 314 517	136
161 314 518	136
161 314 519	136
161 314 520	136
161 314 521	136
161 314 522	136
161 314 532	136
161 314 533	136
161 314 534	136
161 314 535	136

Code	Page
161 314 536	136
161 314 537	136
161 314 547	136
161 314 548	136
161 314 549	136
161 314 550	136
161 314 551	136
161 314 552	136
161 314 562	136
161 314 563	136
161 314 564	136
161 314 565	136
161 314 566	136
161 314 567	136
161 314 577	137
161 314 578	137
161 314 579	137
161 314 580	137
161 314 581	137
161 314 582	137
161 314 717	301
161 314 718	301
161 314 719	301
161 314 720	301
161 314 721	301
161 314 722	301
161 314 732	301
161 314 733	301
161 314 734	301
161 314 735	301
161 314 736	301
161 314 737	301
161 315 402	139
161 315 403	139
161 315 404	139
161 315 405	139
161 315 406	139
161 315 407	139
161 315 417	139
161 315 418	139
161 315 419	139
161 315 420	139
161 315 421	139
161 315 422	139
161 315 432	139
161 315 433	139
161 315 434	139
161 315 435	139
161 315 436	139
161 315 437	139
161 315 447	139
161 315 448	139
161 315 449	139
161 315 450	139
161 315 451	139
161 315 452	139
161 315 462	139
161 315 463	139
161 315 464	139
161 315 465	139
161 315 466	139
161 315 467	139
161 317 009	141
161 317 010	141
161 317 012	141
161 317 024	141
161 317 025	141

Code-Index

Code	Page
161 317 027	141
161 317 039	141
161 317 040	141
161 317 042	141
161 317 054	141
161 317 055	141
161 317 057	141
161 317 069	141
161 317 070	141
161 317 072	141
161 317 424	302
161 317 425	302
161 317 427	302
161 317 439	302
161 317 440	302
161 317 442	302
161 317 502	141
161 317 503	141
161 317 504	141
161 317 505	141
161 317 506	141
161 317 507	141
161 317 508	141
161 317 517	141
161 317 518	141
161 317 519	141
161 317 520	141
161 317 521	141
161 317 522	141
161 317 523	141
161 317 532	141
161 317 533	141
161 317 534	141
161 317 535	141
161 317 536	141
161 317 537	141
161 317 538	141
161 317 547	141
161 317 548	141
161 317 549	141
161 317 550	141
161 317 551	141
161 317 552	141
161 317 553	141
161 317 562	141
161 317 563	141
161 317 564	141
161 317 565	141
161 317 566	141
161 317 567	141
161 317 568	141
161 317 717	302
161 317 718	302
161 317 719	302
161 317 720	302
161 317 721	302
161 317 722	302
161 317 723	302
161 317 732	302
161 317 733	302
161 317 734	302
161 317 735	302
161 317 736	302
161 317 737	302
161 317 738	302
161 322 150	132
161 322 199	132

Code	Page
161 322 200	132
161 322 249	132
161 322 251	300
161 322 252	300
161 322 256	300
161 322 257	300
161 323 001	300
161 323 002	300
161 323 011	300
161 323 012	300
161 323 041	300
161 323 042	300
161 323 051	300
161 323 052	300
161 323 401	130
161 323 402	130
161 323 411	130
161 323 412	130
161 323 421	130
161 323 422	130
161 323 431	130
161 323 432	130
161 323 441	130
161 323 442	130
161 323 451	130
161 323 452	130
161 343 001	121
161 343 002	121
161 343 003	121
161 343 004	121
161 343 005	121
161 343 006	121
161 343 007	121
161 343 011	121
161 343 012	121
161 343 013	121
161 343 014	121
161 343 015	121
161 343 016	121
161 343 017	121
161 343 021	122
161 343 022	122
161 343 023	122
161 343 024	122
161 343 025	122
161 343 026	122
161 343 027	122
161 343 031	122
161 343 032	122
161 343 033	122
161 343 034	122
161 343 035	122
161 343 036	122
161 343 037	122
161 343 041	123
161 343 042	123
161 343 043	123
161 343 044	123
161 343 045	123
161 343 046	123
161 343 047	123
161 343 051	123
161 343 052	123
161 343 053	123
161 343 054	123
161 343 055	123
161 343 056	123

Code	Page
161 343 057	123
161 343 141	299
161 343 142	299
161 343 143	299
161 343 144	299
161 343 145	299
161 343 146	299
161 343 147	299
161 343 151	299
161 343 152	299
161 343 153	299
161 343 154	299
161 343 155	299
161 343 156	299
161 343 157	299
161 343 201	124
161 343 202	124
161 343 203	124
161 343 204	124
161 343 205	124
161 343 206	124
161 343 207	124
161 343 211	124
161 343 212	124
161 343 213	124
161 343 214	124
161 343 215	124
161 343 216	124
161 343 217	124
161 343 221	125
161 343 222	125
161 343 223	125
161 343 224	125
161 343 225	125
161 343 226	125
161 343 227	125
161 343 231	125
161 343 232	125
161 343 233	125
161 343 234	125
161 343 235	125
161 343 236	125
161 343 237	125
161 343 241	126
161 343 242	126
161 343 243	126
161 343 244	126
161 343 245	126
161 343 246	126
161 343 247	126
161 343 251	126
161 343 252	126
161 343 253	126
161 343 254	126
161 343 255	126
161 343 256	126
161 343 257	126
161 343 341	299
161 343 342	299
161 343 343	299
161 343 344	299
161 343 345	299
161 343 346	299
161 343 347	299
161 343 351	299
161 343 352	299
161 343 353	299

Code-Index

Code	Page
161 343 354	299
161 343 355	299
161 343 356	299
161 343 357	299
161 343 401	116
161 343 402	116
161 343 403	116
161 343 404	116
161 343 405	116
161 343 406	116
161 343 407	116
161 343 411	116
161 343 412	116
161 343 413	116
161 343 414	116
161 343 415	116
161 343 416	116
161 343 417	116
161 343 421	118
161 343 422	118
161 343 423	118
161 343 424	118
161 343 425	118
161 343 426	118
161 343 427	118
161 343 431	118
161 343 432	118
161 343 433	118
161 343 434	118
161 343 435	118
161 343 436	118
161 343 437	118
161 343 441	117
161 343 442	117
161 343 443	117
161 343 444	117
161 343 445	117
161 343 446	117
161 343 447	117
161 343 451	117
161 343 452	117
161 343 453	117
161 343 454	117
161 343 455	117
161 343 456	117
161 343 457	117
161 343 701	121
161 343 702	121
161 343 703	121
161 343 704	121
161 343 705	121
161 343 706	121
161 343 707	121
161 343 711	121
161 343 712	121
161 343 713	121
161 343 714	121
161 343 715	121
161 343 716	121
161 343 717	121
161 343 721	122
161 343 722	122
161 343 723	122
161 343 724	122
161 343 725	122
161 343 726	122
161 343 727	122

Code	Page
161 343 731	122
161 343 732	122
161 343 733	122
161 343 734	122
161 343 735	122
161 343 736	122
161 343 737	122
161 360 013	162
161 360 038	162
161 360 401	162
161 360 402	162
161 360 403	162
161 360 404	162
161 360 405	162
161 360 406	162
161 360 407	162
161 360 411	162
161 360 412	162
161 360 413	162
161 360 414	162
161 360 415	162
161 360 416	162
161 360 417	162
161 360 421	163
161 360 422	163
161 360 423	163
161 360 424	163
161 360 425	163
161 360 426	163
161 360 427	163
161 360 431	163
161 360 432	163
161 360 433	163
161 360 434	163
161 360 435	163
161 360 436	163
161 360 437	163
161 360 441	162
161 360 442	162
161 360 443	162
161 360 444	162
161 360 445	162
161 360 446	162
161 360 447	162
161 360 451	162
161 360 452	162
161 360 453	162
161 360 454	162
161 360 455	162
161 360 456	162
161 360 457	162
161 360 502	163
161 360 503	163
161 360 504	163
161 360 505	163
161 360 506	163
161 360 507	163
161 360 512	163
161 360 513	163
161 360 514	163
161 360 515	163
161 360 516	163
161 360 517	163
161 360 721	166
161 360 722	166
161 360 723	166
161 360 724	166

Code	Page
161 360 725	166
161 360 726	166
161 360 727	166
161 360 742	166
161 360 743	166
161 360 744	166
161 360 745	166
161 360 746	166
161 360 747	166
161 369 002	170
161 369 003	170
161 369 004	170
161 369 005	170
161 369 006	170
161 369 007	170
161 369 009	170
161 369 010	170
161 369 011	170
161 369 012	170
161 369 013	170
161 369 022	170
161 369 023	170
161 369 024	170
161 369 025	170
161 369 026	170
161 369 027	170
161 369 029	170
161 369 030	170
161 369 031	170
161 369 032	170
161 369 033	170
161 369 042	171
161 369 043	171
161 369 044	171
161 369 045	171
161 369 046	171
161 369 047	171
161 369 049	171
161 369 050	171
161 369 051	171
161 369 052	171
161 369 053	171
161 369 062	171
161 369 063	171
161 369 064	171
161 369 065	171
161 369 066	171
161 369 067	171
161 369 069	171
161 369 070	171
161 369 071	171
161 369 072	171
161 369 073	171
161 369 082	172
161 369 083	172
161 369 084	172
161 369 085	172
161 369 086	172
161 369 087	172
161 369 089	172
161 369 090	172
161 369 091	172
161 369 092	172
161 369 093	172
161 369 102	172
161 369 103	172
161 369 104	172

Code-Index

Code	Page
161 369 105	172
161 369 106	172
161 369 107	172
161 369 109	172
161 369 110	172
161 369 111	172
161 369 112	172
161 369 113	172
161 480 648	160
161 480 649	160
161 480 650	160
161 480 651	160
161 480 652	160
161 480 653	160
161 480 654	160
161 480 664	160
161 480 665	160
161 480 666	160
161 480 667	160
161 480 668	160
161 480 669	160
161 480 670	160
161 480 671	161
161 480 672	161
161 480 673	160
161 480 674	160
161 480 675	160
161 480 676	160
161 480 677	160
161 480 678	160
161 480 679	160
161 480 680	161
161 480 681	161
161 480 682	160
161 480 683	160
161 480 684	160
161 480 685	160
161 480 686	160
161 480 687	160
161 480 688	160
161 480 689	161
161 480 690	161
161 480 699	160
161 480 700	160
161 480 701	160
161 482 017	160
161 482 018	160
161 482 019	160
161 482 020	160
161 482 021	160
161 482 022	160
161 482 076	160
161 483 126	179
161 483 127	179
161 483 128	179
161 483 129	179
161 483 130	179
161 483 131	179
161 483 132	180
161 483 133	180
161 483 180	59
161 483 362	93
161 484 080	93
161 484 875	175
161 484 887	175
161 484 900	175
161 484 901	175

Code	Page
161 484 902	175
161 484 903	175
161 484 904	175
161 484 905	175
161 484 907	175
161 484 908	175
161 484 909	175
161 484 910	175
161 484 912	175
161 484 913	175
161 484 914	175
161 484 915	175
161 484 916	175
161 484 917	175
161 484 919	175
161 484 920	175
161 484 921	175
161 484 922	175
161 486 100	178
161 486 101	178
161 486 102	178
161 486 103	178
161 486 104	178
161 486 105	178
161 486 106	178
161 486 107	178
161 486 151	93
161 486 152	93
161 486 153	93
161 486 154	93
161 486 155	93
161 486 156	93
161 486 157	96
161 486 158	96
161 486 159	96
161 486 163	93
161 486 164	93
161 486 165	93
161 486 166	93
161 486 167	93
161 486 168	93
161 486 169	96
161 486 170	96
161 486 171	96
161 486 201	96
161 486 202	96
161 486 203	96
161 486 265	93
161 486 266	93
161 486 267	93
161 486 268	93
161 486 269	93
161 486 270	93
161 486 271	96
161 486 272	96
161 486 273	96
161 486 275	93
161 486 276	93
161 486 277	93
161 486 278	93
161 486 279	93
161 486 280	93
161 486 281	96
161 486 282	96
161 486 283	96
161 486 285	93
161 486 286	93

Code	Page
161 486 287	93
161 486 288	93
161 486 289	93
161 486 290	93
161 486 291	96
161 486 292	96
161 486 293	96
161 486 295	93
161 486 296	93
161 486 297	93
161 486 298	93
161 486 299	93
161 486 300	93
161 486 360	93
161 486 361	93
161 486 362	103
161 486 363	93
161 486 364	93
161 486 365	93
161 486 375	93
161 486 376	93
161 486 377	93
161 486 378	93
161 486 379	93
161 486 380	93
161 486 381	96
161 486 382	96
161 486 383	96
161 486 385	93
161 486 386	93
161 486 387	93
161 486 388	93
161 486 389	93
161 486 390	93
161 486 391	96
161 486 392	96
161 486 393	96
161 486 400	93
161 486 401	93
161 486 402	93
161 486 403	93
161 486 404	93
161 486 405	93
161 486 406	96
161 486 407	96
161 486 408	96
161 486 410	93
161 486 411	93
161 486 412	93
161 486 413	93
161 486 414	93
161 486 415	93
161 486 416	96
161 486 417	96
161 486 418	96
161 486 425	93
161 486 426	93
161 486 427	93
161 486 428	93
161 486 429	93
161 486 430	93
161 486 431	96
161 486 432	96
161 486 433	96
161 486 435	114
161 486 436	114
161 486 437	114

Code-Index

Code	Page
161 486 438	114
161 486 443	115
161 486 444	115
161 486 445	115
161 486 446	115
161 486 689	110
161 486 690	110
161 486 691	110
161 486 959	175
161 486 960	175
161 486 961	175
161 486 962	175
161 486 964	175
161 486 966	175
161 486 967	175
161 486 974	175
161 486 979	175
161 486 980	175
161 486 981	175
161 486 982	175
161 486 984	175
161 486 986	175
161 486 987	175
161 486 993	175
161 490 412	161
161 490 413	161
161 490 538	93
161 490 539	93
161 490 540	93
161 490 541	93
161 490 542	93
161 490 543	93
161 490 544	96
161 490 545	96
161 490 546	96
161 490 630	45
161 490 632	45
161 490 634	45
161 490 635	45
161 490 636	45
161 490 637	45
161 490 638	45
161 490 639	45
161 490 640	45
161 490 641	45
161 490 644	45
161 490 666	93
161 490 667	93
161 490 668	93
161 490 669	93
161 490 670	93
161 490 671	93
161 490 672	93
161 490 673	96
161 490 674	96
161 490 675	96
161 490 690	93
161 490 691	93
161 490 692	93
161 490 693	93
161 490 694	93
161 490 695	93
161 490 696	93
161 490 697	96
161 490 698	96
161 490 699	96
161 490 701	93

Code	Page
161 490 702	93
161 490 703	93
161 490 704	93
161 490 705	93
161 490 706	93
161 490 707	93
161 490 708	96
161 490 709	96
161 490 710	96
161 490 712	93
161 490 713	93
161 490 714	93
161 490 715	93
161 490 716	93
161 490 717	93
161 490 718	93
161 490 719	96
161 490 720	96
161 490 721	96
161 490 723	93
161 490 724	93
161 490 725	93
161 490 726	93
161 490 727	93
161 490 728	93
161 490 729	93
161 490 730	96
161 490 731	96
161 490 732	96
161 490 734	93
161 490 735	93
161 490 736	93
161 490 737	93
161 490 738	93
161 490 739	93
161 490 740	93
161 490 742	96
161 490 743	96
161 490 751	96
161 490 752	96
161 490 753	96
161 490 755	103
161 490 756	103
161 490 757	103
161 490 758	103
161 490 759	103
161 490 760	103
161 490 761	96
161 490 762	96
161 490 763	96
161 490 775	126
161 490 776	126
161 490 777	126
161 490 778	126
161 490 779	126
161 490 780	126
161 490 825	93
161 490 826	93
161 490 827	93
161 490 828	93
161 490 829	93
161 490 830	93
161 490 831	93
161 490 837	93
161 490 838	93
161 490 839	93
161 490 840	93

Code	Page
161 490 841	93
161 490 842	93
161 546 001	77
161 546 002	77
161 546 003	77
161 546 004	77
161 546 005	77
161 546 006	77
161 546 007	77
161 546 008	77
161 546 009	77
161 546 010	77
161 546 011	77
161 546 012	77
161 546 013	77
161 546 014	77
161 546 015	77
161 546 016	77
161 546 017	77
161 546 018	77
161 546 019	77
161 546 020	77
161 546 021	79
161 546 022	79
161 546 023	79
161 546 024	79
161 546 025	79
161 546 026	79
161 546 027	79
161 546 028	79
161 546 029	79
161 546 030	79
161 546 031	79
161 546 032	79
161 546 033	79
161 546 034	79
161 546 035	79
161 546 036	79
161 546 037	79
161 546 038	79
161 546 039	79
161 546 040	79
161 546 041	78
161 546 042	78
161 546 043	78
161 546 044	78
161 546 045	78
161 546 046	78
161 546 047	78
161 546 048	78
161 546 049	78
161 546 050	78
161 546 051	78
161 546 052	78
161 546 053	78
161 546 054	78
161 546 055	78
161 546 056	78
161 546 057	78
161 546 058	78
161 546 059	78
161 546 060	78
161 546 061	70
161 546 062	70
161 546 063	70
161 546 064	70
161 546 065	70

Code-Index

Code	Page
161 546 066	70
161 546 067	70
161 546 068	70
161 546 069	70
161 546 070	70
161 546 071	70
161 546 072	70
161 546 073	70
161 546 074	70
161 546 075	70
161 546 076	70
161 546 077	70
161 546 078	70
161 546 079	70
161 546 080	70
161 546 081	84
161 546 082	84
161 546 083	84
161 546 084	84
161 546 085	84
161 546 086	84
161 546 087	84
161 546 088	84
161 546 089	84
161 546 090	84
161 546 091	84
161 546 092	84
161 546 093	84
161 546 094	84
161 546 095	84
161 546 096	84
161 546 097	84
161 546 098	84
161 546 099	84
161 546 100	84
161 546 128	298
161 546 129	298
161 546 130	298
161 546 138	298
161 546 139	298
161 546 140	298
161 546 721	71
161 546 722	71
161 546 723	71
161 546 724	71
161 546 725	71
161 546 726	71
161 546 727	71
161 546 728	71
161 546 729	71
161 546 730	71
161 546 731	71
161 546 732	71
161 546 733	71
161 546 734	71
161 546 735	71
161 546 736	71
161 546 737	71
161 546 738	71
161 546 739	71
161 546 740	71
161 546 741	72
161 546 742	72
161 546 743	72
161 546 744	72
161 546 745	72
161 546 746	72

Code	Page
161 546 747	72
161 546 748	72
161 546 749	72
161 546 750	72
161 546 751	72
161 546 752	72
161 546 753	72
161 546 754	72
161 546 755	72
161 546 756	72
161 546 757	72
161 546 758	72
161 546 759	72
161 546 760	72
161 546 761	73
161 546 762	73
161 546 763	73
161 546 764	73
161 546 765	73
161 546 766	73
161 546 767	73
161 546 771	73
161 546 772	73
161 546 773	73
161 546 774	73
161 546 775	73
161 546 776	73
161 546 777	73
161 546 782	74
161 546 783	74
161 546 784	74
161 546 785	74
161 546 786	74
161 546 787	74
161 546 792	74
161 546 793	74
161 546 794	74
161 546 795	74
161 546 796	74
161 546 797	74
161 546 805	76
161 546 806	76
161 546 807	76
161 546 815	76
161 546 816	76
161 546 817	76
161 546 822	75
161 546 823	75
161 546 824	75
161 546 825	75
161 546 826	75
161 546 827	75
161 546 828	75
161 546 829	75
161 546 830	75
161 546 832	75
161 546 833	75
161 546 834	75
161 546 835	75
161 546 836	75
161 546 837	75
161 546 838	75
161 546 839	75
161 546 840	75
161 567 002	148
161 567 003	148
161 567 004	148

Code	Page
161 567 005	148
161 567 006	148
161 567 007	148
161 567 008	148
161 567 009	148
161 567 010	148
161 567 022	148
161 567 023	148
161 567 024	148
161 567 025	148
161 567 026	148
161 567 027	148
161 567 028	148
161 567 029	148
161 567 030	148
161 567 042	149
161 567 043	149
161 567 044	149
161 567 045	149
161 567 046	149
161 567 047	149
161 567 048	149
161 567 049	149
161 567 050	149
161 567 062	149
161 567 063	149
161 567 064	149
161 567 065	149
161 567 066	149
161 567 067	149
161 567 068	149
161 567 069	149
161 567 070	149
161 567 402	303
161 567 403	303
161 567 404	303
161 567 405	303
161 567 406	303
161 567 407	303
161 567 408	303
161 567 422	303
161 567 423	303
161 567 424	303
161 567 425	303
161 567 426	303
161 567 427	303
161 567 428	303
161 567 502	304
161 567 503	304
161 567 504	304
161 567 505	304
161 567 506	304
161 567 507	304
161 567 508	304
161 567 802	150
161 567 803	150
161 567 804	150
161 567 805	150
161 567 806	150
161 567 807	150
161 567 808	150
161 567 809	150
161 567 810	150
161 567 822	150
161 567 823	150
161 567 824	150
161 567 825	150

Code-Index

Code	Page
161 567 826	150
161 567 827	150
161 567 828	150
161 567 829	150
161 567 830	150
161 568 002	154
161 568 003	154
161 568 004	154
161 568 005	154
161 568 006	154
161 568 007	154
161 568 008	154
161 568 022	154
161 568 023	154
161 568 024	154
161 568 025	154
161 568 026	154
161 568 027	154
161 568 028	154
161 568 042	155
161 568 043	155
161 568 044	155
161 568 045	155
161 568 046	155
161 568 047	155
161 568 048	155
161 568 062	155
161 568 063	155
161 568 064	155
161 568 065	155
161 568 066	155
161 568 067	155
161 568 068	155
161 568 402	305
161 568 403	305
161 568 404	305
161 568 405	305
161 568 406	305
161 568 407	305
161 568 408	305
161 568 422	305
161 568 423	305
161 568 424	305
161 568 425	305
161 568 426	305
161 568 427	305
161 568 428	305
161 568 802	153
161 568 803	153
161 568 804	153
161 568 805	153
161 568 806	153
161 568 807	153
161 568 808	153
161 568 822	153
161 568 823	153
161 568 824	153
161 568 825	153
161 568 826	153
161 568 827	153
161 568 828	153
167 060 019	185
167 060 020	185
167 060 021	185
167 060 022	185
167 060 023	185
167 060 024	185

Code	Page
167 060 025	185
167 060 038	185
167 060 039	185
167 060 040	185
167 060 041	185
167 060 042	185
167 060 043	185
167 061 003	183
167 061 004	183
167 061 012	183
167 061 013	183
167 061 014	183
167 061 015	183
167 061 016	183
167 061 017	183
167 061 035	183
167 061 036	183
167 061 037	183
167 061 038	183
167 061 039	183
167 061 040	183
167 061 041	183
167 061 153	184
167 061 155	184
167 061 156	184
167 061 157	184
167 061 158	184
167 061 159	184
167 061 160	184
167 061 161	184
167 061 162	184
167 061 163	184
167 061 164	184
167 061 165	184
167 061 166	184
167 061 167	184
167 480 422	147
167 480 423	129
167 480 424	147
167 480 425	147
167 480 426	147
167 480 966	93
167 481 943	147
167 481 944	147
167 481 945	147
167 481 946	147
167 482 238	129
167 482 239	129
167 482 626	111
167 482 627	111
167 482 628	111
167 482 629	111
167 482 630	111
167 482 631	111
167 482 635	112
167 482 636	112
167 482 637	112
167 482 638	112
167 482 639	112
167 482 640	112
167 482 653	113
167 482 654	113
167 482 655	113
167 482 656	113
167 482 657	113
167 482 658	113
167 482 662	113

Code	Page
167 482 663	113
167 482 664	113
167 482 665	113
167 482 666	113
167 482 667	113
167 482 671	112
167 482 672	112
167 482 673	112
167 482 674	112
167 482 675	112
167 482 676	112
167 482 680	111
167 482 681	111
167 482 682	111
167 482 683	111
167 482 684	111
167 482 685	111
167 482 749	93
167 482 900	93
167 482 901	93
167 482 902	93
167 482 903	93
167 482 904	93
167 482 905	93
167 482 906	93
167 482 907	105
167 482 908	105
167 482 909	105
167 482 911	93
167 482 912	93
167 482 913	93
167 482 914	93
167 482 915	93
167 482 916	93
167 482 917	93
167 482 922	93
167 482 923	93
167 482 924	93
167 482 925	93
167 482 926	93
167 482 927	93
167 482 928	93
167 482 929	106
167 482 930	106
167 482 931	106
167 482 937	93
167 482 938	93
167 482 939	93
167 482 940	107
167 482 941	107
167 482 942	107
167 482 945	93
167 482 946	93
167 482 947	93
167 482 948	93
167 482 949	107
167 482 950	93
167 482 951	107
167 482 952	107
167 482 953	107
167 482 956	93
167 482 957	93
167 482 958	93
167 482 959	93
167 482 960	93
167 482 961	93
167 482 966	106

Code-Index

Code	Page
167 482 967	93
167 482 968	93
167 482 969	93
167 482 970	93
167 482 971	93
167 482 972	93
167 484 076	93
167 484 077	93
167 484 078	93
167 484 079	93
167 484 080	110
167 484 081	93
167 484 082	96
167 484 083	96
167 484 084	96
167 484 088	93
167 484 089	93
167 484 090	93
167 484 091	93
167 484 092	93
167 484 093	93
167 484 094	96
167 484 095	96
167 484 096	96
167 484 100	93
167 484 101	93
167 484 102	93
167 484 103	93
167 484 104	93
167 484 105	93
167 484 110	114
167 484 111	114
173 061 003	184
173 061 004	184
173 061 005	184
173 061 006	184
173 061 007	184
173 061 008	184
173 061 009	184
173 061 010	184
173 061 011	184
173 061 012	184
173 061 013	184
173 061 014	184
173 061 015	184
173 061 016	184
173 061 017	184
173 061 153	185
173 061 155	185
173 061 156	185
173 061 157	185
173 061 158	185
173 061 159	185
173 061 160	185
173 061 161	185
173 061 162	185
173 061 163	185
173 061 164	185
173 061 165	185
173 061 166	185
173 061 167	185
192 300 301	179
192 300 351	179
192 300 401	179
192 300 451	179
192 300 501	179
192 300 551	179

Code	Page
192 300 601	180
192 300 651	180
192 305 300	176
192 305 349	176
192 305 350	176
192 305 399	176
192 305 400	176
192 305 449	176
192 305 450	176
192 305 499	176
192 305 500	176
192 305 549	176
192 305 550	176
192 305 599	176
192 305 600	176
192 305 649	176
192 305 650	176
192 305 699	176
192 305 821	306
192 305 822	306
192 305 823	306
192 305 824	306
192 305 825	306
192 305 826	306
192 305 827	306
192 305 828	306
192 305 831	306
192 305 832	306
192 305 833	306
192 305 834	306
192 305 835	306
192 305 836	306
192 305 837	306
192 305 838	306
193 480 086	93
193 480 087	93
193 480 088	93
193 480 102	93
193 480 103	93
193 480 104	93
193 480 105	93
193 480 106	93
193 480 107	93
193 480 152	93
193 480 153	93
193 480 154	93
193 480 155	93
193 480 156	93
193 480 157	93
193 480 158	96
193 480 159	96
193 480 160	96
193 480 168	96
193 480 169	96
193 480 170	96
193 480 175	93
193 480 176	93
193 480 177	93
193 480 178	93
193 480 179	93
193 480 180	93
193 480 181	93
198 801 284	291
198 801 285	291
198 801 286	291
198 801 287	291
198 801 288	291

Code	Page
198 801 289	291
198 801 290	291
198 801 291	291
198 801 292	291
198 801 293	291
198 801 294	291
198 801 295	291
198 801 296	292
198 801 297	292
198 801 298	292
198 801 299	292
198 801 300	292
198 801 301	292
198 801 302	292
198 801 303	292
198 801 304	292
198 801 305	292
198 801 306	292
198 801 307	292
198 801 308	294
198 801 309	294
198 801 310	294
198 801 311	294
198 801 312	294
198 801 313	294
198 801 314	294
198 801 315	294
198 801 316	294
198 801 317	294
198 801 318	290
198 801 319	290
198 801 320	291
198 801 321	291
198 801 322	291
198 801 323	291
198 801 324	291
198 801 325	291
198 801 326	292
198 801 327	292
198 801 328	292
198 801 329	292
198 801 330	285
198 801 331	285
198 801 332	285
198 801 333	285
198 801 334	286
198 801 335	286
198 801 336	286
198 801 337	286
198 801 386	292
198 801 387	292
198 801 388	292
198 801 389	292
198 801 390	292
198 801 391	292
198 801 392	292
198 801 393	292
198 801 394	292
198 801 395	292
198 801 841	288
198 801 876	289
198 801 877	289
198 801 878	289
198 801 879	289
198 801 880	287
198 801 881	287
198 801 882	287

Code-Index

Code	Page
198 801 883	287
198 801 884	287
198 801 885	287
198 801 886	287
198 801 887	287
198 801 888	287
198 801 889	287
198 801 890	288
198 801 891	288
198 801 892	288
198 801 893	288
198 801 894	288
198 801 895	288
198 801 896	288
198 801 897	288
198 801 898	288
198 801 899	288
198 801 900	285
198 801 901	285
198 801 902	285
198 801 903	285
198 801 904	285
198 801 905	285
198 801 906	285
198 801 907	285
198 801 908	285
198 801 909	285
198 801 910	285
198 801 911	285
198 801 912	286
198 801 913	286
198 801 914	286
198 801 915	286
198 801 916	286
198 801 917	286
198 801 918	286
198 801 919	286
198 801 920	286
198 801 921	286
198 801 922	286
198 801 923	286
198 801 936	288
198 801 937	290
198 801 938	290
198 801 939	290
198 801 940	290
198 801 941	290
198 801 942	290
198 801 943	290
198 801 944	290
198 801 945	290
198 801 946	290
198 801 947	290
198 801 948	290
198 801 949	291
198 801 950	291
198 801 951	291
198 801 952	291
198 801 953	291
198 801 954	291
198 801 955	289
198 801 956	289
198 801 957	289
198 801 958	289
198 801 959	289
198 801 960	289
198 801 961	293

Code	Page
198 801 962	293
198 801 963	293
198 801 964	293
198 801 965	293
198 801 966	293
198 801 967	293
198 801 968	293
198 801 969	293
198 801 970	293
198 802 076	290
198 802 077	290
198 802 078	290
198 802 079	290
198 802 080	290
198 802 081	290
198 802 082	290
198 802 083	290
198 803 290	285
198 803 291	285
198 803 292	285
198 803 293	285
198 803 294	285
198 803 295	285
198 803 296	285
198 803 297	285
198 803 300	286
198 803 301	286
198 803 302	286
198 803 303	286
198 803 304	286
198 803 305	286
198 803 306	286
198 803 307	286
198 803 310	287
198 803 311	287
198 803 312	287
198 803 313	287
198 803 314	287
198 803 315	287
198 803 316	287
198 803 317	287
198 803 318	287
198 803 319	287
198 803 320	288
198 803 321	288
198 803 322	288
198 803 323	288
198 803 324	288
198 803 325	288
198 803 326	288
198 803 327	288
198 803 328	288
198 803 329	288
198 803 734	285
198 803 735	285
198 803 736	285
198 803 738	285
198 803 739	285
198 803 740	285
198 803 741	285
198 803 742	285
198 803 743	285
198 803 744	285
198 803 745	285
198 803 746	285
198 803 747	286
198 803 748	286

Code	Page
198 803 749	286
198 803 750	286
198 803 751	286
198 803 752	286
198 803 753	286
198 803 754	286
198 803 755	286
198 803 756	286
198 803 757	286
198 803 758	286
198 803 800	289
198 803 801	289
198 803 802	289
198 803 803	289
198 803 804	290
198 803 805	290
198 803 806	290
198 803 807	290
198 803 808	290
198 803 809	290
198 803 810	290
198 803 811	290
198 803 812	290
198 803 813	290
198 803 814	290
198 803 815	290
198 803 816	291
198 803 817	291
198 803 818	291
198 803 819	291
198 803 821	291
198 803 823	291
198 803 825	291
198 803 827	291
198 803 829	292
198 803 831	292
198 803 833	292
198 803 835	292
198 806 511	294
198 806 512	294
198 806 513	294
198 806 514	294
198 806 515	294
198 806 516	294
198 806 517	294
198 806 518	294
198 806 519	294
198 806 520	294
198 806 521	294
198 806 522	294
198 806 523	294
198 806 524	294
198 806 525	294
198 806 526	294
198 806 527	294
198 806 528	294
198 806 529	294
198 806 530	294
198 806 531	294
198 806 532	294
198 806 533	294
198 806 534	294
198 806 535	294
198 806 536	294
198 806 537	294
199 001 240	182
199 024 001	268

Code-Index

Code	Page
199 024 002	268
199 024 003	268
199 024 004	268
199 024 005	268
199 024 006	268
199 024 031	268
199 024 032	268
199 024 033	268
199 024 034	268
199 024 035	268
199 024 036	268
199 024 061	269
199 024 062	269
199 024 063	269
199 024 064	269
199 024 065	269
199 024 066	269
199 024 091	269
199 024 092	269
199 024 093	269
199 024 094	269
199 024 095	269
199 024 096	269
199 025 001	254
199 025 002	254
199 025 003	254
199 025 004	254
199 025 005	254
199 025 006	254
199 025 011	261
199 025 012	261
199 025 013	261
199 025 014	261
199 025 015	261
199 025 016	261
199 025 021	265
199 025 022	265
199 025 023	265
199 025 024	265
199 025 025	265
199 025 026	265
199 025 031	254
199 025 032	254
199 025 033	254
199 025 034	254
199 025 035	254
199 025 036	254
199 025 041	261
199 025 042	261
199 025 043	261
199 025 044	261
199 025 045	261
199 025 046	261
199 025 051	265
199 025 052	265
199 025 053	265
199 025 054	265
199 025 055	265
199 025 056	265
199 025 061	253
199 025 062	253
199 025 063	253
199 025 064	253
199 025 065	253
199 025 066	253
199 025 071	260
199 025 072	260

Code	Page
199 025 073	260
199 025 074	260
199 025 075	260
199 025 076	260
199 025 081	264
199 025 082	264
199 025 083	264
199 025 084	264
199 025 085	264
199 025 086	264
199 025 091	253
199 025 092	253
199 025 093	253
199 025 094	253
199 025 095	253
199 025 096	253
199 025 101	260
199 025 102	260
199 025 103	260
199 025 104	260
199 025 105	260
199 025 106	260
199 025 111	264
199 025 112	264
199 025 113	264
199 025 114	264
199 025 115	264
199 025 116	264
199 025 121	255
199 025 122	255
199 025 123	255
199 025 124	255
199 025 125	255
199 025 126	255
199 025 127	256
199 025 128	256
199 025 129	256
199 025 130	256
199 025 131	262
199 025 132	262
199 025 133	262
199 025 134	262
199 025 135	262
199 025 136	262
199 025 137	263
199 025 138	263
199 025 139	263
199 025 140	263
199 025 141	266
199 025 142	266
199 025 143	266
199 025 144	266
199 025 145	266
199 025 146	266
199 025 147	267
199 025 148	267
199 025 149	267
199 025 150	267
199 025 151	255
199 025 152	255
199 025 153	255
199 025 154	255
199 025 155	255
199 025 156	255
199 025 157	256
199 025 158	256
199 025 159	256

Code	Page
199 025 161	262
199 025 162	262
199 025 163	262
199 025 164	262
199 025 165	262
199 025 166	262
199 025 167	263
199 025 168	263
199 025 169	263
199 025 170	263
199 025 171	266
199 025 172	266
199 025 173	266
199 025 174	266
199 025 175	266
199 025 176	266
199 025 177	267
199 025 178	267
199 025 179	267
199 025 180	267
199 028 001	258
199 028 002	258
199 028 003	258
199 028 004	258
199 028 005	258
199 028 006	258
199 028 031	258
199 028 032	258
199 028 033	258
199 028 034	258
199 028 035	258
199 028 036	258
199 028 061	257
199 028 062	257
199 028 063	257
199 028 064	257
199 028 065	257
199 028 066	257
199 028 091	257
199 028 092	257
199 028 093	257
199 028 094	257
199 028 095	257
199 028 096	257
199 028 121	259
199 028 122	259
199 028 123	259
199 028 124	259
199 028 125	259
199 028 126	259
199 028 151	259
199 028 152	259
199 028 153	259
199 028 154	259
199 028 155	259
199 028 156	259
199 041 000	281
199 041 001	281
199 041 006	282
199 041 007	282
199 041 018	279
199 041 019	279
199 041 020	279
199 041 021	279
199 041 028	279
199 041 029	279
199 041 030	279

Code-Index

Code	Page
199 041 031	279
199 041 060	279
199 041 061	279
199 041 062	279
199 041 063	279
199 041 064	279
199 041 065	279
199 041 066	279
199 041 067	279
199 041 068	279
199 041 069	279
199 041 070	279
199 041 071	279
199 041 090	281
199 041 091	281
199 041 092	281
199 041 093	281
199 041 094	281
199 041 095	281
199 041 096	281
199 041 097	281
199 041 098	281
199 041 099	281
199 041 100	281
199 041 101	281
199 041 120	283
199 041 121	283
199 041 122	283
199 041 123	283
199 041 124	283
199 041 125	283
199 041 126	283
199 041 127	283
199 041 128	283
199 041 203	284
199 041 204	284
199 041 205	284
199 041 206	284
199 041 207	284
199 041 208	284
199 041 209	284
199 041 210	284
199 041 211	284
199 041 212	284
199 041 213	284
199 041 214	284
199 041 215	284
199 041 216	284
199 041 238	282
199 041 239	282
199 041 240	282
199 041 241	282
199 041 242	282
199 041 243	282
199 041 244	282
199 041 245	282
199 041 246	282
199 041 265	283
199 041 266	283
199 041 267	283
199 041 268	283
199 041 269	283
199 041 270	283
199 041 271	283
199 041 272	283
199 041 273	283
199 041 292	282

Code	Page
199 041 293	282
199 041 309	280
199 041 310	280
199 041 311	280
199 041 312	280
199 041 313	280
199 041 314	280
199 041 315	280
199 041 330	280
199 041 331	280
199 041 332	280
199 041 333	280
199 041 334	280
199 041 335	280
199 041 336	280
199 041 360	280
199 041 361	280
199 041 362	280
199 041 363	280
199 041 364	280
199 041 365	280
199 041 366	280
199 041 379	280
199 041 380	280
199 041 381	280
199 041 382	280
199 041 383	280
199 041 384	280
199 041 385	280
199 041 600	279
199 041 601	279
199 041 602	279
199 041 603	279
199 041 604	279
199 041 605	279
199 041 611	279
199 041 612	279
199 041 613	279
199 041 614	279
199 041 615	279
199 041 616	279
199 041 914	280
199 041 919	280
199 041 922	281
199 041 940	280
199 041 944	281
199 041 945	281
199 041 950	281
199 041 953	281
199 041 984	280
199 041 985	280
199 041 986	280
199 041 987	281
199 041 988	281
199 041 989	281
199 041 990	281
199 041 991	281
199 107 002	193
199 107 003	193
199 107 004	193
199 107 005	193
199 107 006	193
199 107 007	193
199 107 008	193
199 107 012	193
199 107 013	193
199 107 014	193

Code	Page
199 107 015	193
199 107 016	193
199 107 017	193
199 107 018	193
199 107 022	194
199 107 023	194
199 107 024	194
199 107 025	194
199 107 026	194
199 107 027	194
199 107 028	194
199 107 032	194
199 107 033	194
199 107 034	194
199 107 035	194
199 107 036	194
199 107 037	194
199 107 038	194
199 107 042	197
199 107 043	197
199 107 044	197
199 107 045	197
199 107 046	197
199 107 047	197
199 107 048	197
199 107 052	197
199 107 053	197
199 107 054	197
199 107 055	197
199 107 056	197
199 107 057	197
199 107 058	197
199 107 062	198
199 107 063	198
199 107 064	198
199 107 065	198
199 107 066	198
199 107 067	198
199 107 068	198
199 107 072	198
199 107 073	198
199 107 074	198
199 107 075	198
199 107 076	198
199 107 077	198
199 107 078	198
199 107 603	196
199 107 604	196
199 107 605	196
199 107 606	196
199 107 607	196
199 107 608	196
199 107 613	196
199 107 614	196
199 107 615	196
199 107 616	196
199 107 617	196
199 107 618	196
199 107 622	195
199 107 623	195
199 107 624	195
199 107 625	195
199 107 626	195
199 107 627	195
199 107 628	195
199 107 632	195
199 107 633	195

Code-Index

Code	Page
199 107 634	195
199 107 635	195
199 107 636	195
199 107 637	195
199 107 638	195
199 107 643	200
199 107 644	200
199 107 645	200
199 107 646	200
199 107 647	200
199 107 648	200
199 107 653	200
199 107 654	200
199 107 655	200
199 107 656	200
199 107 657	200
199 107 658	200
199 107 662	199
199 107 663	199
199 107 664	199
199 107 665	199
199 107 666	199
199 107 667	199
199 107 668	199
199 107 672	199
199 107 673	199
199 107 674	199
199 107 675	199
199 107 676	199
199 107 677	199
199 107 678	199
199 130 002	201
199 130 003	201
199 130 004	201
199 130 005	201
199 130 006	201
199 130 007	201
199 130 008	201
199 130 009	201
199 130 010	201
199 130 011	201
199 130 012	201
199 130 013	201
199 130 014	201
199 130 015	201
199 130 016	201
199 130 017	201
199 130 018	201
199 130 019	201
199 130 020	201
199 130 021	201
199 130 022	203
199 130 023	203
199 130 024	203
199 130 025	203
199 130 026	203
199 130 027	203
199 130 028	203
199 130 029	203
199 130 030	203
199 130 031	203
199 130 032	203
199 130 033	203
199 130 034	203
199 130 035	203
199 130 036	203
199 130 037	203

Code	Page
199 130 038	203
199 130 039	203
199 130 040	203
199 130 041	203
199 130 042	205
199 130 043	205
199 130 044	205
199 130 045	205
199 130 046	205
199 130 047	205
199 130 048	205
199 130 049	205
199 130 050	205
199 130 051	205
199 130 052	205
199 130 053	205
199 130 054	205
199 130 055	205
199 130 056	205
199 130 057	205
199 130 058	205
199 130 059	205
199 130 060	205
199 130 061	205
199 130 062	207
199 130 063	207
199 130 064	207
199 130 065	207
199 130 066	207
199 130 067	207
199 130 068	207
199 130 069	207
199 130 070	207
199 130 071	207
199 130 072	207
199 130 073	207
199 130 074	207
199 130 075	207
199 130 076	207
199 130 077	207
199 130 078	207
199 130 079	207
199 130 080	207
199 130 081	207
199 130 103	204
199 130 104	204
199 130 105	204
199 130 106	204
199 130 107	204
199 130 108	204
199 130 113	204
199 130 114	204
199 130 115	204
199 130 116	204
199 130 117	204
199 130 118	204
199 130 122	202
199 130 123	202
199 130 124	202
199 130 125	202
199 130 126	202
199 130 127	202
199 130 128	202
199 130 129	202
199 130 130	202
199 130 131	202
199 130 132	202

Code	Page
199 130 133	202
199 130 134	202
199 130 135	202
199 130 136	202
199 130 137	202
199 130 138	202
199 130 139	202
199 130 140	202
199 130 141	202
199 130 143	208
199 130 144	208
199 130 145	208
199 130 146	208
199 130 147	208
199 130 148	208
199 130 153	208
199 130 154	208
199 130 155	208
199 130 156	208
199 130 157	208
199 130 158	208
199 130 162	206
199 130 163	206
199 130 164	206
199 130 165	206
199 130 166	206
199 130 167	206
199 130 168	206
199 130 169	206
199 130 170	206
199 130 171	206
199 130 172	206
199 130 173	206
199 130 174	206
199 130 175	206
199 130 176	206
199 130 177	206
199 130 178	206
199 130 179	206
199 130 180	206
199 130 181	206
199 140 002	271
199 140 003	271
199 140 004	271
199 140 005	271
199 140 006	271
199 140 007	271
199 140 008	271
199 140 022	271
199 140 023	271
199 140 024	271
199 140 025	271
199 140 026	271
199 140 027	271
199 140 028	271
199 140 042	270
199 140 043	270
199 140 044	270
199 140 045	270
199 140 046	270
199 140 047	270
199 140 048	270
199 140 049	270
199 140 062	270
199 140 063	270
199 140 064	270
199 140 065	270

Code-Index

Code	Page
199 140 066	270
199 140 067	270
199 140 068	270
199 140 069	270
199 140 082	273
199 140 083	273
199 140 084	273
199 140 085	273
199 140 086	273
199 140 087	273
199 140 088	273
199 140 102	273
199 140 103	273
199 140 104	273
199 140 105	273
199 140 106	273
199 140 107	273
199 140 108	273
199 140 122	272
199 140 123	272
199 140 124	272
199 140 125	272
199 140 126	272
199 140 127	272
199 140 128	272
199 140 129	272
199 140 142	272
199 140 143	272
199 140 144	272
199 140 145	272
199 140 146	272
199 140 147	272
199 140 148	272
199 140 149	272
199 175 002	214
199 175 003	214
199 175 004	214
199 175 005	214
199 175 006	214
199 175 007	214
199 175 008	214
199 175 012	214
199 175 013	214
199 175 014	214
199 175 015	214
199 175 016	214
199 175 017	214
199 175 018	214
199 175 022	213
199 175 023	213
199 175 024	213
199 175 025	213
199 175 026	213
199 175 027	213
199 175 028	213
199 175 032	213
199 175 033	213
199 175 034	213
199 175 035	213
199 175 036	213
199 175 037	213
199 175 038	213
199 175 042	216
199 175 043	216
199 175 044	216
199 175 045	216
199 175 046	216

Code	Page
199 175 047	216
199 175 048	216
199 175 052	216
199 175 053	216
199 175 054	216
199 175 055	216
199 175 056	216
199 175 057	216
199 175 058	216
199 175 062	215
199 175 063	215
199 175 064	215
199 175 065	215
199 175 066	215
199 175 067	215
199 175 068	215
199 175 072	215
199 175 073	215
199 175 074	215
199 175 075	215
199 175 076	215
199 175 077	215
199 175 078	215
199 175 182	218
199 175 183	218
199 175 184	218
199 175 185	218
199 175 186	218
199 175 187	218
199 175 188	218
199 175 192	218
199 175 193	218
199 175 194	218
199 175 195	218
199 175 196	218
199 175 197	218
199 175 198	218
199 175 202	217
199 175 203	217
199 175 204	217
199 175 205	217
199 175 206	217
199 175 207	217
199 175 208	217
199 175 212	217
199 175 213	217
199 175 214	217
199 175 215	217
199 175 216	217
199 175 217	217
199 175 218	217
199 175 222	220
199 175 223	220
199 175 224	220
199 175 225	220
199 175 226	220
199 175 227	220
199 175 228	220
199 175 232	220
199 175 233	220
199 175 234	220
199 175 235	220
199 175 236	220
199 175 237	220
199 175 238	220
199 175 242	219
199 175 243	219

Code	Page
199 175 244	219
199 175 245	219
199 175 246	219
199 175 247	219
199 175 248	219
199 175 252	219
199 175 253	219
199 175 254	219
199 175 255	219
199 175 256	219
199 175 257	219
199 175 258	219
199 178 062	210
199 178 063	210
199 178 064	210
199 178 065	210
199 178 066	210
199 178 067	210
199 178 068	210
199 178 072	210
199 178 073	210
199 178 074	210
199 178 075	210
199 178 076	210
199 178 077	210
199 178 078	210
199 178 102	212
199 178 103	212
199 178 104	212
199 178 105	212
199 178 106	212
199 178 107	212
199 178 108	212
199 178 112	212
199 178 113	212
199 178 114	212
199 178 115	212
199 178 116	212
199 178 117	212
199 178 118	212
199 178 242	209
199 178 243	209
199 178 244	209
199 178 245	209
199 178 246	209
199 178 247	209
199 178 248	209
199 178 252	209
199 178 253	209
199 178 254	209
199 178 255	209
199 178 256	209
199 178 257	209
199 178 258	209
199 178 262	211
199 178 263	211
199 178 264	211
199 178 265	211
199 178 266	211
199 178 267	211
199 178 268	211
199 178 272	211
199 178 273	211
199 178 274	211
199 178 275	211
199 178 276	211
199 178 277	211

Code-Index

Code	Page
199 178 278	211
199 190 334	289
199 190 335	289
199 190 336	289
199 190 337	289
199 190 338	289
199 211 105	278
199 211 106	278
199 211 107	278
199 211 108	278
199 211 109	278
199 211 110	278
199 211 111	278
199 211 155	278
199 211 156	278
199 211 157	278
199 211 158	278
199 211 159	278
199 211 160	278
199 211 161	278
199 211 305	277
199 211 306	277
199 211 307	277
199 211 308	277
199 211 309	277
199 211 310	277
199 211 311	277
199 211 355	277
199 211 356	277
199 211 357	277
199 211 358	277
199 211 359	277
199 211 360	277
199 211 361	277
199 211 705	277
199 211 706	277
199 211 707	277
199 211 708	277
199 211 709	277
199 211 710	277
199 211 711	277
199 211 755	277
199 211 756	277
199 211 757	277
199 211 758	277
199 211 759	277
199 211 760	277
199 211 761	277
199 230 002	221
199 230 003	221
199 230 004	221
199 230 005	221
199 230 006	221
199 230 007	221
199 230 008	221
199 230 012	221
199 230 013	221
199 230 014	221
199 230 015	221
199 230 016	221
199 230 017	221
199 230 018	221
199 230 022	222
199 230 023	222
199 230 024	222
199 230 025	222
199 230 026	222

Code	Page
199 230 027	222
199 230 028	222
199 230 032	222
199 230 033	222
199 230 034	222
199 230 035	222
199 230 036	222
199 230 037	222
199 230 038	222
199 230 042	225
199 230 043	225
199 230 044	225
199 230 045	225
199 230 046	225
199 230 047	225
199 230 048	225
199 230 052	225
199 230 053	225
199 230 054	225
199 230 055	225
199 230 056	225
199 230 057	225
199 230 058	225
199 230 062	226
199 230 063	226
199 230 064	226
199 230 065	226
199 230 066	226
199 230 067	226
199 230 068	226
199 230 072	226
199 230 073	226
199 230 074	226
199 230 075	226
199 230 076	226
199 230 077	226
199 230 078	226
199 230 082	229
199 230 083	229
199 230 084	229
199 230 085	229
199 230 086	229
199 230 087	229
199 230 088	229
199 230 092	229
199 230 093	229
199 230 094	229
199 230 095	229
199 230 096	229
199 230 097	229
199 230 098	229
199 230 102	230
199 230 103	230
199 230 104	230
199 230 105	230
199 230 106	230
199 230 107	230
199 230 108	230
199 230 112	230
199 230 113	230
199 230 114	230
199 230 115	230
199 230 116	230
199 230 117	230
199 230 118	230
199 230 122	233
199 230 123	233

Code	Page
199 230 124	233
199 230 125	233
199 230 126	233
199 230 127	233
199 230 128	233
199 230 129	233
199 230 130	233
199 230 131	233
199 230 132	233
199 230 133	233
199 230 134	233
199 230 135	233
199 230 136	233
199 230 137	233
199 230 138	233
199 230 139	233
199 230 140	233
199 230 141	233
199 230 142	234
199 230 143	234
199 230 144	234
199 230 145	234
199 230 146	234
199 230 147	234
199 230 148	234
199 230 149	234
199 230 150	234
199 230 151	234
199 230 152	234
199 230 153	234
199 230 154	234
199 230 155	234
199 230 156	234
199 230 157	234
199 230 158	234
199 230 159	234
199 230 160	234
199 230 161	234
199 230 162	237
199 230 163	237
199 230 164	237
199 230 165	237
199 230 166	237
199 230 167	237
199 230 168	237
199 230 169	237
199 230 170	237
199 230 171	237
199 230 172	237
199 230 173	237
199 230 174	237
199 230 175	237
199 230 176	237
199 230 177	237
199 230 178	237
199 230 179	237
199 230 180	237
199 230 181	237
199 230 182	238
199 230 183	238
199 230 184	238
199 230 185	238
199 230 186	238
199 230 187	238
199 230 188	238
199 230 189	238
199 230 190	238

Code-Index

Code	Page
199 230 191	238
199 230 192	238
199 230 193	238
199 230 194	238
199 230 195	238
199 230 196	238
199 230 197	238
199 230 198	238
199 230 199	238
199 230 200	238
199 230 201	238
199 230 202	241
199 230 203	241
199 230 204	241
199 230 205	241
199 230 206	241
199 230 207	241
199 230 208	241
199 230 209	241
199 230 210	241
199 230 211	241
199 230 212	241
199 230 213	241
199 230 214	241
199 230 215	241
199 230 216	241
199 230 217	241
199 230 218	241
199 230 219	241
199 230 220	241
199 230 221	241
199 230 222	242
199 230 223	242
199 230 224	242
199 230 225	242
199 230 226	242
199 230 227	242
199 230 228	242
199 230 229	242
199 230 230	242
199 230 231	242
199 230 232	242
199 230 233	242
199 230 234	242
199 230 235	242
199 230 236	242
199 230 237	242
199 230 238	242
199 230 239	242
199 230 240	242
199 230 241	242
199 230 243	224
199 230 244	224
199 230 245	224
199 230 246	224
199 230 247	224
199 230 248	224
199 230 253	224
199 230 254	224
199 230 255	224
199 230 256	224
199 230 257	224
199 230 258	224
199 230 263	228
199 230 264	228
199 230 265	228
199 230 266	228

Code	Page
199 230 267	228
199 230 268	228
199 230 273	228
199 230 274	228
199 230 275	228
199 230 276	228
199 230 277	228
199 230 278	228
199 230 283	232
199 230 284	232
199 230 285	232
199 230 286	232
199 230 287	232
199 230 288	232
199 230 293	232
199 230 294	232
199 230 295	232
199 230 296	232
199 230 297	232
199 230 298	232
199 230 303	236
199 230 304	236
199 230 305	236
199 230 306	236
199 230 307	236
199 230 308	236
199 230 313	236
199 230 314	236
199 230 315	236
199 230 316	236
199 230 317	236
199 230 318	236
199 230 323	240
199 230 324	240
199 230 325	240
199 230 326	240
199 230 327	240
199 230 328	240
199 230 333	240
199 230 334	240
199 230 335	240
199 230 336	240
199 230 337	240
199 230 338	240
199 230 343	244
199 230 344	244
199 230 345	244
199 230 346	244
199 230 347	244
199 230 348	244
199 230 353	244
199 230 354	244
199 230 355	244
199 230 356	244
199 230 357	244
199 230 358	244
199 230 362	223
199 230 363	223
199 230 364	223
199 230 365	223
199 230 366	223
199 230 367	223
199 230 368	223
199 230 372	223
199 230 373	223
199 230 374	223
199 230 375	223

Code	Page
199 230 376	223
199 230 377	223
199 230 378	223
199 230 382	227
199 230 383	227
199 230 384	227
199 230 385	227
199 230 386	227
199 230 387	227
199 230 388	227
199 230 392	227
199 230 393	227
199 230 394	227
199 230 395	227
199 230 396	227
199 230 397	227
199 230 398	227
199 230 642	231
199 230 643	231
199 230 644	231
199 230 645	231
199 230 646	231
199 230 647	231
199 230 648	231
199 230 652	231
199 230 653	231
199 230 654	231
199 230 655	231
199 230 656	231
199 230 657	231
199 230 658	231
199 230 662	235
199 230 663	235
199 230 664	235
199 230 665	235
199 230 666	235
199 230 667	235
199 230 668	235
199 230 669	235
199 230 670	235
199 230 671	235
199 230 672	235
199 230 673	235
199 230 674	235
199 230 675	235
199 230 676	235
199 230 677	235
199 230 678	235
199 230 679	235
199 230 680	235
199 230 681	235
199 230 682	239
199 230 683	239
199 230 684	239
199 230 685	239
199 230 686	239
199 230 687	239
199 230 688	239
199 230 689	239
199 230 690	239
199 230 691	239
199 230 692	239
199 230 693	239
199 230 694	239
199 230 695	239
199 230 696	239
199 230 697	239

Code-Index

Code	Page
199 230 698	239
199 230 699	239
199 230 700	239
199 230 701	239
199 230 712	243
199 230 713	243
199 230 714	243
199 230 715	243
199 230 716	243
199 230 717	243
199 230 718	243
199 230 719	243
199 230 720	243
199 230 721	243
199 230 732	243
199 230 733	243
199 230 734	243
199 230 735	243
199 230 736	243
199 230 737	243
199 230 738	243
199 230 739	243
199 230 740	243
199 230 741	243
199 240 002	274
199 240 003	274
199 240 004	274
199 240 005	274
199 240 006	274
199 240 007	274
199 240 008	274
199 240 009	274
199 240 010	274
199 240 022	274
199 240 023	274
199 240 024	274
199 240 025	274
199 240 026	274
199 240 027	274
199 240 028	274
199 240 029	274
199 240 030	274
199 240 042	275
199 240 043	275
199 240 044	275
199 240 045	275
199 240 046	275
199 240 047	275
199 240 048	275
199 240 049	275
199 240 050	275
199 240 062	275
199 240 063	275
199 240 064	275
199 240 065	275
199 240 066	275
199 240 067	275
199 240 068	275
199 240 069	275
199 240 070	275
199 240 082	276
199 240 083	276
199 240 084	276
199 240 085	276
199 240 086	276
199 240 087	276
199 240 088	276

Code	Page
199 240 089	276
199 240 090	276
199 240 102	276
199 240 103	276
199 240 104	276
199 240 105	276
199 240 106	276
199 240 107	276
199 240 108	276
199 240 109	276
199 240 110	276
199 275 002	246
199 275 003	246
199 275 004	246
199 275 005	246
199 275 006	246
199 275 007	246
199 275 008	246
199 275 012	246
199 275 013	246
199 275 014	246
199 275 015	246
199 275 016	246
199 275 017	246
199 275 018	246
199 275 022	245
199 275 023	245
199 275 024	245
199 275 025	245
199 275 026	245
199 275 027	245
199 275 028	245
199 275 032	245
199 275 033	245
199 275 034	245
199 275 035	245
199 275 036	245
199 275 037	245
199 275 038	245
199 275 042	250
199 275 043	250
199 275 044	250
199 275 045	250
199 275 046	250
199 275 047	250
199 275 048	250
199 275 052	250
199 275 053	250
199 275 054	250
199 275 055	250
199 275 056	250
199 275 057	250
199 275 058	250
199 275 062	249
199 275 063	249
199 275 064	249
199 275 065	249
199 275 066	249
199 275 067	249
199 275 068	249
199 275 072	249
199 275 073	249
199 275 074	249
199 275 075	249
199 275 076	249
199 275 077	249
199 275 078	249

Code	Page
199 275 182	248
199 275 183	248
199 275 184	248
199 275 185	248
199 275 186	248
199 275 187	248
199 275 188	248
199 275 192	248
199 275 193	248
199 275 194	248
199 275 195	248
199 275 196	248
199 275 197	248
199 275 198	248
199 275 202	247
199 275 203	247
199 275 204	247
199 275 205	247
199 275 206	247
199 275 207	247
199 275 208	247
199 275 212	247
199 275 213	247
199 275 214	247
199 275 215	247
199 275 216	247
199 275 217	247
199 275 218	247
199 275 222	252
199 275 223	252
199 275 224	252
199 275 225	252
199 275 226	252
199 275 227	252
199 275 228	252
199 275 232	252
199 275 233	252
199 275 234	252
199 275 235	252
199 275 236	252
199 275 237	252
199 275 238	252
199 275 242	251
199 275 243	251
199 275 244	251
199 275 245	251
199 275 246	251
199 275 247	251
199 275 248	251
199 275 252	251
199 275 253	251
199 275 254	251
199 275 255	251
199 275 256	251
199 275 257	251
199 275 258	251
300 000 043	15
300 000 044	15
300 000 045	15
300 000 046	15
300 000 047	15
300 000 048	15
300 000 049	15
300 000 050	15
300 000 051	15
300 000 052	15
300 000 053	15

Code-Index

Code	Page	Code	Page	Code	Page
300 000 054	15	720 910 710	31	721 150 108	19
300 000 055	15	720 910 711	31	721 150 109	19
300 000 056	15	721 000 106	17	721 150 110	19
300 000 057	15	721 000 107	17	721 150 111	19
300 000 058	15	721 000 108	17	721 150 112	19
300 000 059	15	721 000 109	17	721 150 113	19
300 000 060	15	721 000 110	17	721 150 114	19
300 000 061	15	721 000 111	17	721 150 115	19
300 000 062	15	721 000 112	17	721 150 116	19
300 000 063	15	721 000 113	17	721 150 117	19
300 000 064	16	721 000 114	17	721 150 119	19
300 000 065	16	721 000 116	17	721 150 120	19
300 000 066	16	721 000 117	17	721 150 121	19
300 000 067	16	721 010 120	17	721 150 122	19
300 000 068	16	721 010 122	17	721 150 123	19
300 000 069	16	721 010 123	17	721 150 125	19
300 000 070	16	721 010 125	17	721 150 306	18
300 000 071	16	721 100 101	18	721 150 307	18
300 000 101	16	721 100 102	18	721 150 308	18
300 000 102	16	721 100 103	18	721 150 309	18
300 000 103	16	721 100 104	18	721 150 310	18
300 000 104	16	721 100 105	18	721 150 311	18
300 000 105	16	721 100 106	18	721 200 009	21
300 000 106	16	721 100 107	18	721 200 010	21
300 000 107	16	721 100 108	18	721 200 011	21
300 000 108	16	721 100 109	18	721 200 101	19
300 000 109	16	721 100 110	18	721 200 102	19
300 000 110	16	721 100 111	18	721 200 103	19
708 402 217	191	721 100 112	18	721 200 104	19
720 600 206	52	721 100 113	18	721 200 105	19
720 600 207	52	721 100 114	18	721 200 106	19
720 600 208	52	721 100 115	18	721 200 107	19
720 600 209	52	721 100 116	18	721 200 108	19
720 600 210	52	721 100 117	18	721 200 109	19
720 600 211	52	721 100 119	18	721 200 110	19
720 600 212	52	721 100 120	18	721 200 111	19
720 600 213	52	721 100 121	18	721 200 112	19
720 600 226	53	721 100 204	27	721 200 113	19
720 600 227	53	721 100 205	27	721 200 114	19
720 600 228	53	721 100 206	27	721 200 115	19
720 600 229	53	721 100 207	27	721 200 116	19
720 600 230	53	721 100 208	27	721 200 117	19
720 600 231	53	721 100 209	27	721 200 119	19
720 600 232	53	721 100 210	27	721 200 120	19
720 600 233	53	721 100 211	27	721 200 121	19
720 690 005	55	721 100 212	27	721 200 122	19
720 690 006	55	721 100 213	27	721 200 123	19
720 690 007	55	721 100 214	27	721 200 125	19
720 690 008	55	721 100 306	18	721 200 132	21
720 690 009	55	721 100 307	18	721 200 133	21
720 690 010	55	721 100 308	18	721 200 134	21
720 690 011	55	721 100 309	18	721 200 135	21
720 690 012	55	721 100 310	18	721 200 136	21
720 690 013	55	721 100 311	18	721 200 137	21
720 690 405	55	721 101 605	33	721 200 138	21
720 910 205	31	721 101 606	33	721 200 139	21
720 910 206	31	721 101 607	33	721 200 140	21
720 910 207	31	721 101 608	33	721 200 141	21
720 910 208	31	721 101 609	33	721 200 142	21
720 910 209	31	721 101 610	33	721 200 144	21
720 910 210	31	721 101 611	33	721 200 145	21
720 910 211	31	721 101 612	33	721 200 146	21
720 910 705	31	721 101 613	33	721 200 147	21
720 910 706	31	721 101 614	33	721 200 148	21
720 910 707	31	721 150 105	19	721 200 149	21
720 910 708	31	721 150 106	19	721 200 150	21
720 910 709	31	721 150 107	19	721 200 151	21

Code-Index

Code	Page
721 200 152	21
721 200 153	21
721 200 154	21
721 200 155	21
721 200 156	21
721 200 157	21
721 200 159	21
721 200 161	21
721 200 162	21
721 200 164	21
721 200 165	21
721 200 167	21
721 200 169	21
721 200 170	21
721 200 172	21
721 200 174	21
721 200 176	21
721 200 178	21
721 200 180	21
721 200 181	21
721 200 182	21
721 200 183	21
721 200 184	21
721 200 204	27
721 200 205	27
721 200 206	27
721 200 207	27
721 200 208	27
721 200 209	27
721 200 210	27
721 200 211	27
721 200 212	27
721 200 213	27
721 200 214	27
721 200 306	20
721 200 307	20
721 200 308	20
721 200 309	20
721 200 310	20
721 200 311	20
721 201 605	33
721 201 606	33
721 201 607	33
721 201 608	33
721 201 609	33
721 201 610	33
721 201 611	33
721 201 612	33
721 201 613	33
721 201 614	33
721 250 103	22
721 250 104	22
721 250 105	22
721 250 106	22
721 250 107	22
721 250 108	22
721 250 109	22
721 250 110	22
721 250 111	22
721 250 112	22
721 250 113	22
721 250 114	22
721 250 115	22
721 250 116	22
721 250 117	22
721 250 119	22
721 250 120	22

Code	Page
721 250 121	22
721 300 103	20
721 300 104	20
721 300 105	20
721 300 106	20
721 300 107	20
721 300 108	20
721 300 109	20
721 300 110	20
721 300 111	20
721 300 112	20
721 300 113	20
721 300 114	20
721 310 006	66
721 310 007	66
721 310 008	66
721 310 009	66
721 310 010	66
721 310 011	66
721 310 036	66
721 310 037	66
721 310 038	66
721 310 039	66
721 310 040	66
721 310 041	66
721 310 306	67
721 310 307	67
721 310 308	67
721 310 309	67
721 310 310	67
721 310 311	67
721 310 336	67
721 310 337	67
721 310 338	67
721 310 339	67
721 310 340	67
721 310 341	67
721 310 406	67
721 310 407	67
721 310 408	67
721 310 409	67
721 310 410	67
721 310 411	67
721 310 436	67
721 310 437	67
721 310 438	67
721 310 439	67
721 310 440	67
721 310 441	67
721 312 012	66
721 312 013	66
721 312 014	66
721 312 015	66
721 312 016	66
721 312 017	66
721 312 019	66
721 312 020	66
721 312 021	66
721 312 023	66
721 510 003	38
721 510 004	38
721 510 005	38
721 510 006	38
721 510 007	38
721 510 008	38
721 510 009	38
721 510 010	38

Code	Page
721 510 011	38
721 510 012	38
721 510 013	38
721 510 014	38
721 510 028	38
721 510 029	38
721 510 030	38
721 510 031	38
721 510 032	38
721 510 033	38
721 510 034	38
721 510 035	38
721 510 036	38
721 510 037	38
721 510 038	38
721 510 039	38
721 510 103	36
721 510 104	36
721 510 105	36
721 510 106	36
721 510 107	36
721 510 108	36
721 510 109	36
721 510 110	36
721 510 111	36
721 510 112	36
721 510 113	36
721 510 114	36
721 510 128	36
721 510 129	36
721 510 130	36
721 510 131	36
721 510 132	36
721 510 133	36
721 510 134	36
721 510 135	36
721 510 136	36
721 510 137	36
721 510 138	36
721 510 139	36
721 510 153	296
721 510 154	296
721 510 155	296
721 510 156	296
721 510 157	296
721 510 158	296
721 510 159	296
721 510 160	296
721 510 161	296
721 510 162	296
721 510 163	296
721 510 164	296
721 510 178	296
721 510 179	296
721 510 180	296
721 510 181	296
721 510 182	296
721 510 183	296
721 510 184	296
721 510 185	296
721 510 186	296
721 510 187	296
721 510 188	296
721 510 189	296
721 510 204	38
721 510 205	38
721 510 206	38

Code-Index

Code	Page
721 510 207	38
721 510 208	38
721 510 209	38
721 510 210	38
721 510 211	38
721 510 305	37
721 510 306	37
721 510 307	37
721 510 308	37
721 510 309	37
721 510 310	37
721 510 311	37
721 510 330	37
721 510 331	37
721 510 332	37
721 510 333	37
721 510 334	37
721 510 335	37
721 510 336	37
721 510 405	39
721 510 406	39
721 510 407	39
721 510 408	39
721 510 409	39
721 510 410	39
721 510 411	39
721 510 604	43
721 510 605	43
721 510 606	43
721 510 607	43
721 510 608	43
721 510 609	43
721 510 610	43
721 510 611	43
721 513 105	37
721 513 106	37
721 513 107	37
721 513 108	37
721 513 109	37
721 513 110	37
721 513 111	37
721 514 105	38
721 514 106	38
721 514 107	38
721 514 108	38
721 514 109	38
721 514 110	38
721 514 111	38
721 514 205	39
721 514 206	39
721 514 207	39
721 514 208	39
721 514 209	39
721 514 210	39
721 514 211	39
721 540 205	40
721 540 206	40
721 540 207	40
721 540 208	40
721 540 209	40
721 540 210	40
721 540 211	40
721 540 230	40
721 540 231	40
721 540 232	40
721 540 233	40
721 540 234	40

Code	Page
721 540 235	40
721 540 236	40
721 540 705	40
721 540 706	40
721 540 707	40
721 540 708	40
721 540 709	40
721 540 710	40
721 540 711	40
721 540 730	40
721 540 731	40
721 540 732	40
721 540 733	40
721 540 734	40
721 540 735	40
721 540 736	40
721 545 505	41
721 545 506	41
721 545 507	41
721 545 508	41
721 545 509	41
721 545 510	41
721 545 511	41
721 545 530	41
721 545 531	41
721 545 532	41
721 545 533	41
721 545 534	41
721 545 535	41
721 545 536	41
721 550 305	42
721 550 306	42
721 550 307	42
721 550 406	41
721 550 407	41
721 550 408	41
721 550 409	41
721 550 410	41
721 550 411	41
721 550 412	41
721 550 413	41
721 550 806	42
721 550 807	42
721 550 808	42
721 550 809	42
721 550 810	42
721 550 811	42
721 550 812	42
721 550 813	42
721 600 004	48
721 600 005	48
721 600 006	48
721 600 007	48
721 600 008	48
721 600 009	48
721 600 010	48
721 600 011	48
721 600 012	48
721 600 013	48
721 600 014	48
721 600 103	46
721 600 104	46
721 600 105	46
721 600 106	46
721 600 107	46
721 600 108	46
721 600 109	46

Code	Page
721 600 110	46
721 600 111	46
721 600 112	46
721 600 113	46
721 600 162	46
721 600 163	46
721 600 164	46
721 600 305	47
721 600 306	47
721 600 307	47
721 600 405	46
721 600 406	46
721 600 407	46
721 600 408	46
721 600 409	46
721 600 410	46
721 600 411	46
721 600 654	48
721 600 655	48
721 600 656	48
721 600 657	48
721 600 658	48
721 600 659	48
721 600 660	48
721 600 661	48
721 601 105	48
721 601 106	48
721 601 107	48
721 601 108	48
721 601 109	48
721 601 110	48
721 601 111	48
721 602 005	47
721 602 006	47
721 602 007	47
721 602 008	47
721 602 009	47
721 602 010	47
721 602 011	47
721 602 012	47
721 602 013	47
721 602 014	47
721 602 655	47
721 602 656	47
721 602 657	47
721 602 658	47
721 602 659	47
721 602 660	47
721 602 661	47
721 640 103	51
721 640 104	51
721 640 105	51
721 640 106	51
721 640 107	51
721 640 108	51
721 640 109	51
721 640 110	51
721 640 111	51
721 640 112	51
721 640 113	51
721 640 114	51
721 640 604	51
721 640 605	51
721 640 606	51
721 640 607	51
721 640 608	51
721 640 609	51

Code-Index

Code	Page
721 640 610	51
721 640 611	51
721 641 105	51
721 641 106	51
721 641 107	51
721 641 108	51
721 641 109	51
721 641 110	51
721 641 111	51
721 690 004	53
721 690 005	53
721 690 006	53
721 690 007	53
721 690 008	53
721 690 009	53
721 690 010	53
721 690 011	53
721 690 012	53
721 690 013	53
721 690 014	53
721 700 005	58
721 700 006	58
721 700 007	58
721 700 008	58
721 700 009	58
721 700 010	58
721 700 011	58
721 700 012	58
721 700 013	58
721 700 014	58
721 700 015	58
721 700 016	58
721 700 017	58
721 700 019	58
721 700 020	58
721 700 021	58
721 700 136	58
721 700 137	58
721 700 138	58
721 700 139	58
721 700 140	58
721 700 506	64
721 700 507	64
721 700 508	64
721 700 509	64
721 700 510	64
721 700 511	64
721 700 512	64
721 700 513	64
721 700 514	64
721 700 516	64
721 700 517	64
721 700 520	64
721 700 521	64
721 700 522	64
721 700 523	64
721 700 524	64
721 700 525	64
721 702 206	59
721 702 207	59
721 702 208	59
721 702 209	59
721 702 210	59
721 702 211	59
721 702 212	59
721 702 213	59
721 702 214	59

Code	Page
721 702 216	59
721 702 217	59
721 702 220	59
721 730 206	62
721 730 207	62
721 730 208	62
721 730 209	62
721 730 210	62
721 730 211	62
721 730 212	62
721 730 213	62
721 730 214	62
721 730 216	62
721 730 217	62
721 740 106	63
721 740 107	63
721 740 108	63
721 740 109	63
721 740 110	63
721 740 111	63
721 740 112	63
721 740 113	63
721 740 114	63
721 740 116	63
721 740 117	63
721 740 119	63
721 740 120	63
721 790 111	57
721 790 112	57
721 790 113	57
721 790 114	57
721 790 115	57
721 790 116	57
721 790 117	57
721 790 119	57
721 790 120	57
721 790 121	57
721 790 122	57
721 790 123	57
721 790 124	57
721 790 125	57
721 800 106	86
721 800 107	86
721 800 108	86
721 800 109	86
721 800 110	86
721 810 105	57
721 810 106	57
721 810 107	57
721 810 108	57
721 810 109	57
721 810 110	57
721 810 111	57
721 810 112	57
721 810 113	57
721 810 114	57
721 810 115	57
721 810 116	57
721 810 117	57
721 810 119	57
721 810 120	57
721 810 121	57
721 810 122	57
721 810 123	57
721 900 181	25
721 900 300	25
721 900 301	25
721 900 302	25
721 900 303	25

Code	Page
721 900 304	25
721 900 305	25
721 900 306	25
721 900 307	25
721 900 308	25
721 900 309	25
721 900 310	25
721 900 311	25
721 900 312	25
721 900 313	25
721 900 315	25
721 900 319	25
721 900 320	25
721 900 321	25
721 900 322	25
721 900 325	25
721 900 326	25
721 900 329	25
721 900 331	25
721 900 334	25
721 900 337	25
721 900 341	25
721 900 342	25
721 900 346	25
721 900 347	25
721 900 348	25
721 900 352	25
721 900 353	25
721 900 354	25
721 900 355	25
721 900 358	25
721 900 359	25
721 900 360	25
721 900 364	25
721 900 365	25
721 900 370	25
721 900 371	25
721 900 372	25
721 900 376	25
721 900 377	25
721 900 378	25
721 900 379	25
721 900 380	25
721 900 381	25
721 900 384	25
721 900 385	25
721 900 386	25
721 900 388	25
721 900 390	25
721 900 391	25
721 900 392	25
721 900 393	25
721 900 394	25
721 900 396	25
721 900 397	25
721 900 398	25
721 900 399	25
721 900 406	29
721 900 407	29
721 900 408	29
721 900 409	29
721 900 410	29
721 900 411	29
721 900 905	23
721 900 906	23
721 900 907	23
721 900 908	23

Code-Index

Code	Page
721 900 909	23
721 900 910	23
721 900 911	23
721 900 912	23
721 900 913	23
721 900 914	23
721 900 915	23
721 900 916	23
721 900 917	23
721 900 919	23
721 900 920	23
721 910 101	22
721 910 102	22
721 910 103	22
721 910 104	22
721 910 105	22
721 910 106	22
721 910 107	22
721 910 108	22
721 910 109	22
721 910 110	22
721 910 111	22
721 910 112	22
721 910 113	22
721 910 114	22
721 910 115	22
721 910 116	22
721 910 117	22
721 910 119	22
721 910 120	22
721 910 121	22
721 910 122	22
721 910 123	22
721 910 124	22
721 910 125	22
721 910 204	28
721 910 205	28
721 910 206	28
721 910 207	28
721 910 208	28
721 910 209	28
721 910 210	28
721 910 211	28
721 910 323	24
721 910 325	24
721 910 326	24
721 910 334	24
721 910 337	24
721 910 341	24
721 910 346	24
721 910 352	24
721 910 358	24
721 910 364	24
721 910 370	24
721 910 385	24
721 910 404	29
721 910 434	29
721 910 437	29
721 910 441	29
721 910 446	29
721 910 452	29
721 910 458	29
721 910 555	30
721 910 556	30
721 910 557	30
721 910 558	30
721 910 559	30

Code	Page
721 910 560	30
721 910 561	30
721 910 604	34
721 910 605	34
721 910 606	34
721 910 607	34
721 910 608	34
721 910 609	34
721 910 610	34
721 910 611	34
721 910 705	30
721 910 706	30
721 910 707	30
721 910 708	30
721 910 709	30
721 910 710	30
721 910 711	30
721 910 712	30
721 910 713	30
721 910 714	30
721 910 834	34
721 910 837	34
721 910 841	34
721 910 842	34
721 910 846	34
721 910 852	34
721 910 858	34
721 910 903	25
721 910 905	25
721 910 906	25
721 910 908	25
721 910 909	25
721 910 910	25
721 910 911	25
721 910 912	25
721 910 913	25
721 910 914	25
721 910 915	25
721 910 916	25
721 910 917	25
721 910 918	25
721 910 919	25
721 910 920	25
721 910 921	25
721 910 922	25
721 910 923	25
721 910 924	25
721 910 925	25
721 910 926	25
721 910 927	25
721 910 928	25
721 910 929	25
721 911 905	34
721 911 906	34
721 911 907	34
721 911 908	34
721 911 909	34
721 911 910	34
721 911 911	34
721 913 105	23
721 913 106	23
721 913 107	23
721 913 108	23
721 913 109	23
721 913 110	23
721 913 111	23
721 913 113	23

Code	Page
721 913 115	23
721 913 505	30
721 913 506	30
721 913 507	30
721 913 508	30
721 914 206	28
721 914 207	28
721 914 208	28
721 914 209	28
721 914 210	28
721 914 211	28
721 914 212	28
721 914 213	28
721 914 214	28
721 916 012	28
721 916 013	28
721 916 014	28
721 916 204	31
721 916 206	31
721 960 104	24
721 960 105	24
721 960 106	24
721 960 107	24
721 960 108	24
721 960 109	24
721 960 110	24
721 960 111	24
721 960 112	24
721 960 113	24
721 960 114	24
721 960 116	24
721 960 117	24
721 960 303	32
721 960 304	32
721 960 305	32
721 960 306	32
721 960 403	32
721 960 404	32
721 960 405	32
721 960 406	32
721 960 407	32
721 960 408	32
721 960 409	32
721 960 410	32
721 960 411	32
721 960 603	35
721 960 604	35
721 960 605	35
721 960 606	35
721 960 607	35
721 960 608	35
721 960 609	35
721 960 610	35
721 960 611	35
721 960 704	32
721 960 705	32
721 960 706	32
721 960 707	32
721 960 708	32
721 960 709	32
721 960 905	35
721 960 906	35
721 960 907	35
721 960 908	35
721 960 909	35
721 960 910	35
721 960 911	35

Code-Index

Code	Page
721 961 905	35
721 961 906	35
721 961 907	35
721 961 908	35
721 961 909	35
721 961 910	35
721 961 911	35
724 600 655	50
724 600 656	50
724 600 657	50
724 600 658	50
724 600 659	50
724 600 660	50
724 600 661	50
724 600 705	50
724 600 706	50
724 600 707	50
724 600 708	50
724 600 709	50
724 600 710	50
724 600 711	50
724 605 505	50
724 605 506	50
724 605 507	50
724 605 508	50
724 605 509	50
724 605 510	50
724 605 511	50
724 630 606	52
724 630 607	52
724 630 608	52
724 630 609	52
724 630 610	52
724 630 611	52
724 630 612	52
724 630 613	52
724 630 906	52
724 630 907	52
724 630 908	52
724 630 909	52
724 630 910	52
724 630 911	52
724 630 912	52
724 630 913	52
724 690 105	54
724 690 106	54
724 690 107	54
724 690 108	54
724 690 109	54
724 690 110	54
724 690 111	54
727 700 021	61
727 700 206	61
727 700 207	61
727 700 208	61
727 700 209	61
727 700 210	61
727 700 211	61
727 700 212	61
727 700 213	61
727 700 214	61
727 700 215	61
727 700 216	61
727 700 217	61
727 700 219	61
727 700 220	61
727 700 221	61

Code	Page
727 700 222	61
727 700 223	61
727 700 224	61
727 700 225	61
727 700 406	60
727 700 407	60
727 700 408	60
727 700 409	60
727 700 410	60
727 700 411	60
727 700 412	60
727 700 413	60
727 700 414	60
727 700 416	60
727 700 417	60
727 700 419	60
727 700 420	60
727 700 421	60
727 700 422	60
727 700 423	60
727 700 424	60
727 700 425	60
727 701 206	62
727 701 207	62
727 701 208	62
727 701 209	62
727 701 210	62
727 701 211	62
727 701 212	62
727 701 213	62
727 701 214	62
727 701 220	62
727 701 406	61
727 701 407	61
727 701 408	61
727 701 409	61
727 701 410	61
727 701 411	61
727 701 412	61
727 701 413	61
727 701 414	61
727 701 422	61
727 701 423	61
734 600 106	49
734 600 107	49
734 600 108	49
734 600 109	49
734 600 110	49
734 600 111	49
748 400 001	186
748 400 004	55
748 400 005	55
748 400 006	55
748 400 007	55
748 400 008	55
748 400 009	55
748 400 010	55
748 400 011	55
748 400 012	55
748 400 013	55
748 400 014	188
748 400 015	86
748 400 016	86
748 400 017	86
748 400 018	86
748 400 019	86
748 400 020	86

Code	Page
748 400 021	86
748 400 022	86
748 400 023	86
748 400 024	188
748 400 025	188
748 400 026	188
748 400 027	188
748 400 030	56
748 400 031	188
748 400 032	188
748 400 033	188
748 410 000	187
748 410 001	160
748 410 002	160
748 410 003	93
748 410 004	55
748 410 005	55
748 410 006	55
748 410 007	55
748 410 008	55
748 410 009	55
748 410 010	55
748 410 011	55
748 410 012	179
748 410 013	180
748 410 014	55
748 410 015	55
748 410 016	55
748 410 017	187
748 410 018	187
748 410 019	187
748 410 022	187
748 410 023	96
748 410 059	93
748 410 062	93
748 410 101	160
748 410 102	160
748 410 106	93
748 410 119	96
748 410 151	93
748 410 163	187
748 410 173	187
748 410 174	187
748 410 182	187
748 410 231	93
748 410 254	96
748 413 001	307
748 413 002	307
748 413 003	307
748 413 007	307
748 413 012	307
748 413 013	307
748 413 014	307
748 413 015	307
748 413 016	307
748 413 017	307
748 413 018	307
748 413 019	307
748 413 022	307
748 413 163	307
748 413 173	307
748 413 182	307
748 440 101	86
748 440 102	86
748 440 103	86
748 440 104	86
748 440 105	86

Code-Index

Code	Page
748 440 106	86
748 440 107	86
748 440 108	86
748 440 109	86
748 440 705	189
748 440 706	189
748 440 707	189
748 440 708	189
748 440 709	189
748 440 710	189
748 440 711	189
748 440 712	189
748 440 713	189
748 440 714	189
748 440 715	189
748 440 716	189
748 440 717	189
748 440 719	189
748 440 720	189
748 440 721	189
748 440 722	189
748 440 723	189
748 440 724	189
748 440 725	189
748 440 726	189
748 440 727	189
748 440 728	189
748 440 729	189
748 441 101	308
748 441 102	308
748 441 103	308
748 441 104	308
748 441 105	308
748 441 106	308
748 441 107	308
748 441 108	308
748 441 109	308
748 441 110	308
748 441 111	308
748 441 112	308
748 441 114	308
748 441 115	308
748 441 116	308
748 441 117	308
749 400 005	55
749 400 006	55
749 400 007	55
749 400 008	55
749 400 009	55
749 400 010	55
749 400 011	55
749 400 012	55
749 400 013	55
749 400 015	86
749 400 016	86
749 400 017	86
749 400 018	86
749 400 019	86
749 400 020	86
749 400 021	86
749 400 022	86
749 400 023	86
749 400 024	188
749 400 025	188
749 400 026	188
749 400 027	188
749 401 315	308

Code	Page
749 401 316	308
749 401 317	308
749 401 318	308
749 401 319	308
749 401 320	308
749 401 321	308
749 401 322	308
749 401 323	308
749 401 324	308
749 401 325	308
749 401 326	308
749 401 327	308
749 410 000	187
749 410 001	160
749 410 002	160
749 410 003	93
749 410 004	55
749 410 005	55
749 410 006	55
749 410 007	55
749 410 008	55
749 410 009	55
749 410 010	55
749 410 011	55
749 410 012	179
749 410 013	180
749 410 014	55
749 410 015	55
749 410 016	55
749 410 017	187
749 410 018	187
749 410 019	187
749 410 022	187
749 410 023	96
749 410 059	93
749 410 062	93
749 410 101	160
749 410 102	160
749 410 106	93
749 410 119	96
749 410 151	93
749 410 163	187
749 410 173	187
749 410 174	187
749 410 182	187
749 410 231	93
749 410 254	96
749 413 001	307
749 413 002	307
749 413 003	307
749 413 007	307
749 413 012	307
749 413 013	307
749 413 014	307
749 413 015	307
749 413 016	307
749 413 017	307
749 413 018	307
749 413 019	307
749 413 022	307
749 413 163	307
749 413 173	307
749 413 182	307
749 440 101	86
749 440 102	86
749 440 103	86
749 440 104	86

Code	Page
749 440 105	86
749 440 106	86
749 440 107	86
749 440 108	86
749 440 109	86
749 440 705	189
749 440 706	189
749 440 707	189
749 440 708	189
749 440 709	189
749 440 710	189
749 440 711	189
749 440 712	189
749 440 713	189
749 440 714	189
749 440 715	189
749 440 716	189
749 440 717	189
749 440 719	189
749 440 720	189
749 440 721	189
749 440 722	189
749 440 723	189
749 440 724	189
749 440 725	189
749 440 726	189
749 440 727	189
749 440 728	189
749 440 729	189
749 441 101	308
749 441 102	308
749 441 103	308
749 441 104	308
749 441 105	308
749 441 106	308
749 441 107	308
749 441 108	308
749 441 109	308
749 441 110	308
749 441 111	308
749 441 112	308
749 441 114	308
749 441 115	308
749 441 116	308
749 441 117	308
752 910 105	23
752 910 106	23
752 910 107	23
752 910 108	23
752 910 109	23
752 910 110	23
752 910 111	23
753 608 606	49
753 608 607	49
753 608 608	49
753 608 609	49
753 608 610	49
753 608 611	49
753 608 612	49
753 608 613	49
753 608 614	49
753 608 616	49
753 608 617	49
753 608 618	49
753 608 619	49
753 608 620	49
753 608 621	49

Code-Index

Code	Page
790 109 011	191
790 109 012	191
790 109 013	191
799 150 003	186
799 298 000	190
799 298 001	190
799 298 002	190
799 298 003	190
799 298 010	190
799 298 012	190
799 298 013	190
799 298 028	190
799 299 001	191
799 299 002	191
799 299 003	191
799 299 004	191
799 299 005	191
799 495 145	191
799 495 146	191
800 000 101	80
800 000 102	80
800 000 103	80
800 000 104	80
800 000 105	80
800 000 106	80
800 000 107	80
800 000 111	80
800 000 112	80
800 000 113	80
800 000 114	80
800 000 115	80
800 000 116	80
800 000 117	80
800 000 125	83
800 000 126	83
800 000 127	83
800 000 135	83
800 000 136	83
800 000 137	83
800 000 142	81
800 000 143	81
800 000 144	81
800 000 145	81
800 000 146	81
800 000 147	81
800 000 152	81
800 000 153	81
800 000 154	81
800 000 155	81
800 000 156	81
800 000 157	81
800 000 182	85
800 000 183	85
800 000 184	85
800 000 185	85
800 000 186	85
800 000 187	85
800 000 192	85
800 000 193	85
800 000 194	85
800 000 195	85
800 000 196	85
800 000 197	85
800 000 282	82
800 000 283	82
800 000 284	82
800 000 285	82

Code	Page
800 000 286	82
800 000 287	82
800 000 288	82
800 000 289	82
800 000 290	82
800 000 292	82
800 000 293	82
800 000 294	82
800 000 295	82
800 000 296	82
800 000 297	82
800 000 298	82
800 000 299	82
800 000 300	82
800 000 601	297
800 000 602	297
800 000 603	297
800 000 604	297
800 000 605	297
800 000 606	297
800 000 607	297
800 000 608	297
800 000 609	297
800 000 610	297
800 000 611	297
800 000 612	297
800 000 613	297
800 000 614	297
800 000 615	297
800 000 616	297
800 000 617	297
800 000 618	297
800 000 619	297
800 000 620	297

General Condition of Supply of Georg Fischer Piping Systems Limited, Schaffhausen

1 General

- 1.1 These General Conditions shall apply to all Products supplied by Georg Fischer to the Purchaser. They shall also apply to all future business even when no express reference is made to them.
- 1.2 Any deviating or supplementary conditions especially Purchaser's general conditions of purchase and verbal agreements shall only be applicable if accepted in writing by Georg Fischer.
- 1.3 The written form shall be deemed to be fulfilled by all forms of transmission, evidenced in the form of text, such as telefax, e-mail, etc.

2 Tenders

- 2.1 Tenders shall only be binding if they contain a specifically stated period for acceptance.

3 Scope of Delivery

- 3.1 Georg Fischer's product range is subject to change.
- 3.2 The confirmation of order shall govern the scope and execution of the contract.

4 Data and Documents

- 4.1 Technical documents such as drawings, descriptions, illustrations and data on dimensions, performance and weight as well as the reference to standards are for information purposes only. They are not warranted characteristics and are subject to change.
- 4.2 All technical documents shall remain the exclusive property of Georg Fischer and may only be used for the agreed purposes or as Georg Fischer may consent.

5 Confidentiality, Protection of Personal Data

- 5.1 Each party shall keep in strict confidence all commercial or technical information relating to the business of the other party, of which it has gained knowledge in the course of its dealing with the other party. Such information shall neither be disclosed to third parties nor used for other purposes than those for which the information has been supplied.
- 5.2 In the context of the contractual relation with the Purchaser personal data may be processed. The Purchaser agrees to the disclosure of said data to third parties such as foreign subcontractors and suppliers etc.

6 Local Laws and Regulations, Export Controls

- 6.1 The Purchaser shall bring to the attention of Georg Fischer all local laws and regulations at the place of destination which bear connection with the execution of the contract and the adherence to relevant safety regulations and approval procedures.
- 6.2 In case of re-exports, Purchaser shall be responsible for compliance with pertinent export control regulations.

7 Price

- 7.1 Unless agreed otherwise, the prices shall be deemed quoted net ex works (according to Incoterms of the ICC, latest version) including standard packing. All supplementary costs such as the cost of carriage, insurance, export-, transit- and importlicences etc. shall be borne by the Purchaser. The Purchaser shall also bear the costs of all taxes, fees, duties etc. connected with the contract.
- 7.2 If the costs of packing, carriage, insurance, fees and other supplementary costs are included in the tender price or contract price or are referred to specifically in the tender or confirmation of order, Georg Fischer reserve the right to revise their prices accordingly should any change occur in the relevant tariffs.

8 Terms of Payment

- 8.1 The Purchaser shall make payment in the manner agreed by the parties without any deductions such as discounts, costs, taxes or dues.
- 8.2 The Purchaser may only withhold or off-set payments due against counter claims which are either expressly acknowledged by Georg Fischer or finally awarded to the Purchaser. In particular, payment shall still be made when unessential items are still out-standing provided that the Products already delivered are not rendered unusable as a result.

9 Retention of Title

- 9.1 The Products shall remain the property of Georg Fischer until the Purchaser shall have settled all claims, present and future, which Georg Fischer may have against him.
- 9.2 Should the Purchaser resell Products to which title is reserved, in the ordinary course of business, he shall hereby be deemed to have tacitly assigned to Georg Fischer the proceeds deriving from their sale together with all collateral rights, securities and reservations of title until all claims held by Georg Fischer shall have been settled. Until revoked by Georg Fischer, this assignment shall not preclude Purchaser's right to collect the assigned receivables.
- 9.3 To the extent the value of the Products to which title is reserved together with collateral securities exceeds Georg Fischer's claims against the Purchaser by more than 20%, Georg Fischer shall re-assign the above proceeds to Purchaser at his request.

10 Delivery

- 10.1 The term of delivery shall commence as soon as the contract has been entered into, all official formalities such as import and payment permits have been obtained and all essential technical issues have been settled. The term of delivery shall be deemed duly observed when, upon its expiry, the Products are ready for despatch.
- 10.2 Delivery is subject to the following conditions, i.e. the term of delivery shall be reasonably extended:
 - a) if Georg Fischer are not supplied in time with the information necessary for the execution of the contract or if subsequent changes causing delays are made by the Purchaser.
 - b) if Georg Fischer are prevented from performing the contract by force majeure. Force majeure shall equally be deemed to be any unforeseeable event beyond Georg Fischer's control which renders Georg Fischer's performance commercially unpractical or impossible, such as delayed or defective supplies from sub contractors labour disputes, governmental orders or regulations, shortages in materials or energy, serious disturbances in Georg Fischer's works, such as the total or partial destruction of plant and equipment or the breakdown of essential facilities, serious disruptions in transport facilities, e.g. impassable roads.
Should the effect of force majeure exceed a period of six months, either party may cancel the contract forthwith.
Georg Fischer shall not be liable for any damage or loss of any kind whatsoever resulting therefrom, any suspension or cancellation being without prejudice to Georg Fischer's right to recover all sums due in respect of consignments delivered and costs incurred to date.
 - c) if the Purchaser is in delay with the fulfilment of his obligations under the contract, in particular, if he does not adhere to the agreed conditions of payment or if he has failed to timely provide the agreed securities.
- 10.3 If for reasons attributable to Georg Fischer the agreed term of delivery or a reasonable extension thereof is exceeded, Georg Fischer shall not be deemed in default until the Purchaser has granted to Georg Fischer in writing a reasonable extension thereof of not less than one month which equally is not met.
The Purchaser shall then be entitled to the remedies provided at law, it being however understood that, subject to limitations of Art. 16, damage claims shall be limited to max. 10% of the price of the delayed delivery.
- 10.4 Part shipments shall be allowed and Georg Fischer shall be entitled to invoice for such partial deliveries.
- 10.5 If the Purchaser fails to take delivery within a reasonable time of Products notified as ready for despatch, Georg Fischer shall be entitled to store the Products at the Purchaser's expense and risk and to invoice them as delivered. If Purchaser fails to effect payment, Georg Fischer shall be entitled to dispose of the Products.
- 10.6 Should Purchaser cancel an order without justification and should Georg Fischer not insist on the performance of the contract, Georg Fischer shall be entitled to liquidated damages in the amount of 10% of the contract price, Georg Fischer's right to prove and claim higher damages remaining reserved. Purchaser shall be entitled to prove, that Georg Fischer has suffered no or a considerably lower damage.

11 Packing

- 11.1 If the Products are provided with additional packing over and above the standard packing, such packing shall be charged additionally.

12 Passing of Risk

- 12.1 The risk in the Products shall pass to the Purchaser as soon as they have left Georg Fischer's works (EX WORKS, Incoterms ICC, latest version), even if delivery is made carriage-paid, under similar clauses or including installation or when carriage is organized and managed by Georg Fischer.
- 12.2 If delivery is delayed for reasons beyond Georg Fischer's control, the risk shall pass to the Purchaser when he is notified that the Products are ready for despatch.

13 Carriage and Insurance

- 13.1 Unless agreed otherwise, the Purchaser shall bear the cost of carriage.
- 13.2 The Purchaser shall be responsible for transport insurance against damage of whatever kind. Even when such insurance is arranged by Georg Fischer it shall be deemed taken out by the order of and for the account of the Purchaser and at his risk.
- 13.3 Special requests regarding carriage and insurance shall be communicated to Georg Fischer in due time. Otherwise carriage shall be arranged by Georg Fischer at their discretion, but without responsibility, by the quickest and cheapest method possible.
In case of carriage-paid delivery transport arrangements shall be made by Georg Fischer. If the Purchaser specifies particular requirements, any extra costs involved shall be borne by him.
- 13.4 In the event of damage or loss of the Products during carriage the Purchaser shall mark the delivery documents accordingly and immediately have the damage ascertained by the carrier. Not readily ascertainable damages sustained during carriage shall be notified to the carrier within six days after receipt of the Products.

14 Inspection, Notification of Defects and Damages

- 14.1 The Products will be subject to normal inspection by Georg Fischer during manufacture. Additional tests required by the Purchaser shall be agreed upon in writing and shall be charged to the Purchaser.
- 14.2 It shall be a condition of Georg Fischer's obligation under the warranties stated hereinafter that Georg Fischer be notified in writing by the Purchaser of any purported defect immediately upon discovery. Notice concerning weight, numbers or apparent defects is to be given latest within 30 days from receipt of the Products, notice of other defects immediately latest within 7 working days after discovery, in any event within the agreed warranty period.
- 14.3 Purchaser shall not dispose of allegedly defective Products until all warranty and/or damage claims are finally settled. At its request, defective Products are to be placed at Georg Fischer's disposal.
- 14.4 At its request, Georg Fischer shall be given the opportunity to inspect the defect and/or damage, prior to commencement of remedial work, either itself or by third party experts.

15 Warranty

- 15.1 At the written request of the Purchaser, Georg Fischer undertake to repair or replace at their discretion, as quickly as possible and free of charge all Products supplied which demonstrably suffer from faulty design, materials or workman-ship or from faulty operating or installation instructions.
In order to protect employees from toxic or radioactive substances which may have been transported through defective parts returned to Georg Fischer's sales organisation, said parts must be accompanied by a Material Safety Disclosure Form. The form may be obtained from Georg Fischer's local sales company or via www.piping.georgfischer.com. Replaced parts shall become property of Georg Fischer.
- 15.2 For Products which are manufactured to specifications, drawings or patterns supplied by the Purchaser, Georg Fischer's warranty shall be restricted to proper materials and workmanship.
- 15.3 The Purchaser shall be entitled to cancel the contract or to demand a reduction in the contract price if also a second attempt to repair or replace the Products has failed.
- 15.4 For Products or essential components manufactured by a third party and supplied by Georg Fischer under this contract, Georg Fischer's warranty is limited to the warranty provided by said third party.
- 15.5 This warranty shall not apply to damage resulting from normal wear and tear, improper storage and maintenance, failure to observe the operating instructions, over-stressing or overloading, unsuitable operating media, unsuitable construction work or unsuitable building ground, improper repairs or alterations by the Purchaser or third parties, the use of other than original spare parts and other reasons beyond Georg Fischer's control.
- 15.6 No action or claim may be brought by the Purchaser on account of any alleged breach of warranty or any other obligation of Georg Fischer after the expiration of twelve (12) months from receipt of the Products by the end user or at the latest within eighteen (18) months of the Products being despatched by Georg Fischer.
- 15.7 In case of Products for use in domestic installations or in utilities
 - Georg Fischer will assume the costs of dismantling the defective Product and restoring the damaged object as well as, in case of negligence, all other direct damages caused by the defective Product (damage to property and injury to or death of persons) up to CHF 1 000 000 per occurrence.
 - the statute of limitations for warranty or damage claims - contrary to Section 15.6 - will be 5 years from the date of installation.

16 Limitation of Liability

- 16.1 All cases of breach of contract and the relevant consequences as well as all rights and claims on the part of the customer, irrespective on what ground they are based, are exhaustively covered by these general conditions of supply. In particular, any claims not expressly mentioned for damages, reduction of price, termination of or withdrawal from the contract are excluded. In no case whatsoever shall the customer be entitled to claim damages other than compensation for costs of remedying defects in the supplies. This in particular refers, but shall not be limited, to loss of production, loss of use, loss of orders, loss of profit and other direct or indirect or consequential damage. This exclusion of liability, however, does not apply to unlawful intent or gross negligence on the part of Georg Fischer and in case of strict liability under applicable product liability statutes, but does apply to unlawful intent or gross negligence of persons employed or appointed by Georg Fischer to perform any of its obligations.

17 Severability

- 17.1 Should any term or clause of these General Conditions in whole or in part be found to be unenforceable or void, all other provisions shall remain in full force and effect and the unenforceable or void provision shall be replaced by a valid provision, which comes closest to the original intention of the unenforceable or invalid provision.

18 Place of Performance and Jurisdiction

- 18.1 Place of performance for the Products shall be the Georg Fischer works from which the Products are despatched.
- 18.2 Any civil action based upon any alleged breach of this contract shall be filed and prosecuted exclusively in the courts of Schaffhausen, Switzerland.
Georg Fischer however reserves the right to file actions in any court having jurisdiction over controversies arising out of or in connection with the present contract.
- 18.3 The contract shall be governed by Swiss law without regard to conflict of law provisions that would require the application of another law.

GF Piping Systems → worldwide at home

Our sales companies and representatives ensure local customer support in over 100 countries.

www.piping.georgfischer.com



The technical data is not binding. They neither constitute expressly warranted characteristics nor guaranteed properties nor a guaranteed durability. They are subject to modification. Our General Terms of Sale apply.

Adding Quality to People's Lives

Australia

George Fischer Pty Ltd
Riverwood NSW 2210 Australia
Phone +61(0)2/9502 8000
australia.ps@georgfischer.com
www.georgfischer.com.au

Austria

Georg Fischer
Rohrleitungssysteme GmbH
3130 Herzogenburg
Phone +43(0)2782/856 43-0
austria.ps@georgfischer.com
www.georgfischer.at

Belgium/Luxembourg

Georg Fischer NV/SA
1070 Bruxelles/Brüssel
Phone +32(0)2/556 40 20
be.ps@georgfischer.com
www.georgfischer.be

Brazil

George Fischer Ltda
04795-100 São Paulo
Phone +55(0)11/5687 1311
br.ps@georgfischer.com

China

Georg Fischer
Piping Systems Ltd Shanghai
Pudong, Shanghai 201319
Phone +86(0)21/58 13 33 33
china.ps@georgfischer.com
www.cn.piping.georgfischer.com

Denmark/Iceland

Georg Fischer A/S
2630 Taastrup
Phone +45 (0)70 22 19 75
info.dk.ps@georgfischer.com
www.georgfischer.dk

France

Georg Fischer SAS
95932 Roissy Charles de Gaulle Cedex
Phone +33(0)1 41 84 68 84
fr.ps@georgfischer.com
www.georgfischer.fr

Germany

Georg Fischer GmbH
73095 Albershausen
Phone +49(0)7161/302-0
info.de.ps@georgfischer.com
www.georgfischer.de

India

Georg Fischer Piping Systems Ltd
400 076 Mumbai
Phone +91 224007 2001
in.ps@georgfischer.com
www.georgfischer.in

Italy

Georg Fischer S.p.A.
20063 Cernusco S/N (MI)
Phone +3902/921 861
it.ps@georgfischer.com
www.georgfischer.it

Japan

Georg Fischer Ltd
556-0011 Osaka,
Phone +81(0)6/6635 2691
jp.ps@georgfischer.com
www.georgfischer.jp

Korea

Georg Fischer Piping Systems
Guro-3 dong, Guro-gu, Seoul, Korea
Phone +82(0)2 2081 1450
Fax +82(0)2 2081 1453
kor.ps@georgfischer.com

Malaysia

Georg Fischer (M) Sdn. Bhd.
40460 Shah Alam, Selangor
Phone +60 (0)3-5122 5585
conne.kong@georgfischer.com

Mexico

Georg Fischer S.A. de C.V.
Apodaca, Nuevo Leon
CP66636 Mexico
Phone +52 (81)1340 8586
Fax +52 (81)1522 8906

Middle East

Georg Fischer Piping Systems
Dubai, United Arab Emirates
Phone +971 4 289 41 20
gfdubai@emirates.net.ae
www.piping.georgfischer.com

Netherlands

Georg Fischer N.V.
8161 PA Epe
Phone +31(0)578/678 222
nl.ps@georgfischer.com
www.georgfischer.nl

Norway

Georg Fischer AS
1351 Rud
Phone +47(0)67 18 29 00
no.ps@georgfischer.com
www.georgfischer.no

Poland

Georg Fischer Sp. z o.o.
02-226 Warszawa
Phone +48(0)22/313 10 50
poland.ps@georgfischer.com
www.georgfischer.pl

Romania

Georg Fischer
Piping Systems Ltd
020257 Bucharest - Sector 2
Phone +40(0)21/230 53 80
ro.ps@georgfischer.com

Russia

Georg Fischer Piping Systems
Moscow 125047
Tel. +7 495 258 60 80
ru.ps@georgfischer.com

Singapore

George Fischer Pte Ltd
528 872 Singapore
Phone +65(0)67 47 06 11
sgp.ps@georgfischer.com
www.georgfischer.com.sg

Spain/Portugal

Georg Fischer S.A.
28046 Madrid
Phone +34(0)91/781 98 90
es.ps@georgfischer.com
www.georgfischer.es

Sweden/Finland

Georg Fischer AB
12523 Älvsjö-Stockholm
Phone +46(0)8/506 775 00
info.se.ps@georgfischer.com
www.georgfischer.se

Switzerland

Georg Fischer
Rohrleitungssysteme (Schweiz) AG
8201 Schaffhausen
Phone +41(0)52 631 30 26
ch.ps@georgfischer.com
www.piping.georgfischer.ch

Taiwan

Georg Fischer Piping Systems
San Chung City, Taipei Hsien
Phone +886 2 8512 2822 Ext. 15
Fax +886 2 8512 2823

United Kingdom/Ireland

George Fischer Sales Limited
Coventry, CV2 2ST
Phone +44(0)2476 535 535
uk.ps@georgfischer.com
www.georgfischer.co.uk

USA/Canada/Latin America/Caribbean

Georg Fischer LLC
Tustin, CA 92780-7258
Phone +1(714) 731 88 00
Toll Free 800/854 40 90
us.ps@georgfischer.com
www.us.piping.georgfischer.com

Export

Georg Fischer
Piping Systems (Switzerland) Ltd.
8201 Schaffhausen
Phone +41(0)52-631 30 03
Fax +41(0)52-631 28 93
export.ps@georgfischer.com
www.piping.georgfischer.ch

GMST 8272/4 (2.08)

© Georg Fischer Piping Systems Ltd
CH-8201 Schaffhausen/Switzerland, 2008
Printed in Switzerland

+GF+

GEORG FISCHER
PIPING SYSTEMS